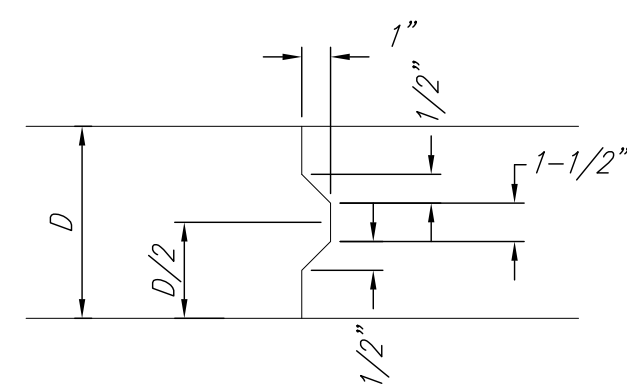


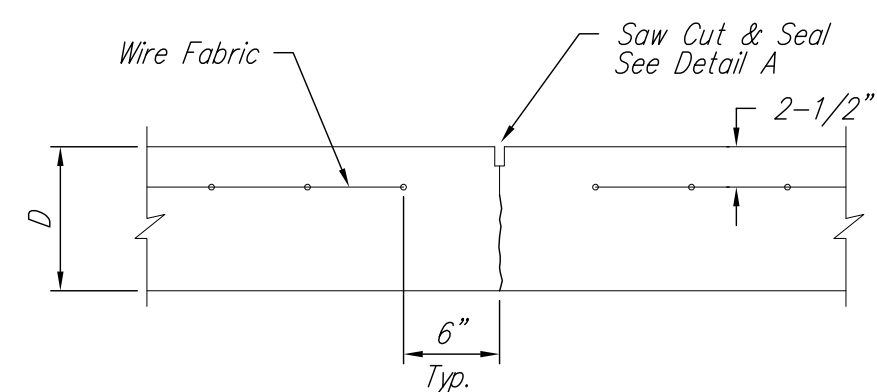


EXPANSION JOINT

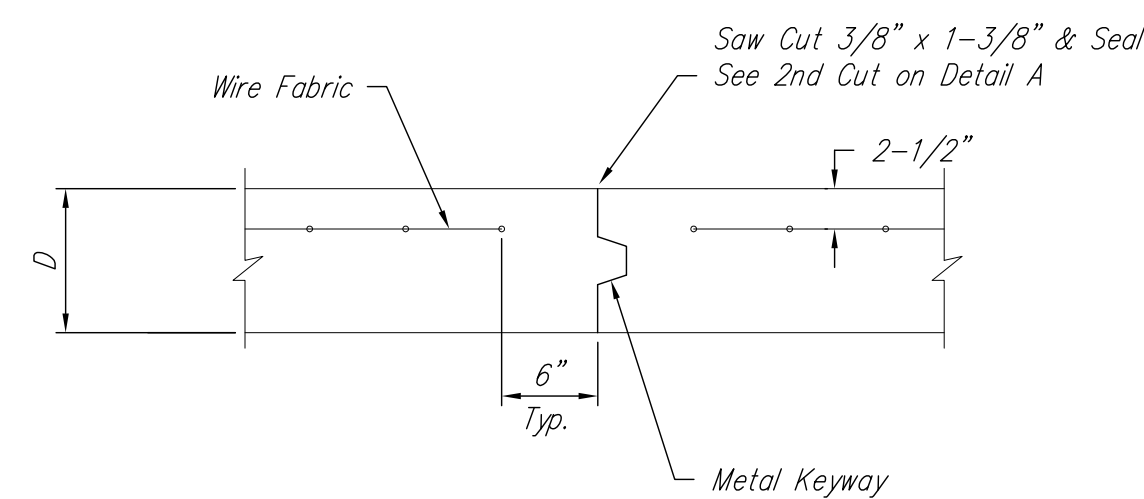
NOTE: Extra Thickness to be Subsidiary to Price of Square Yards Pavement



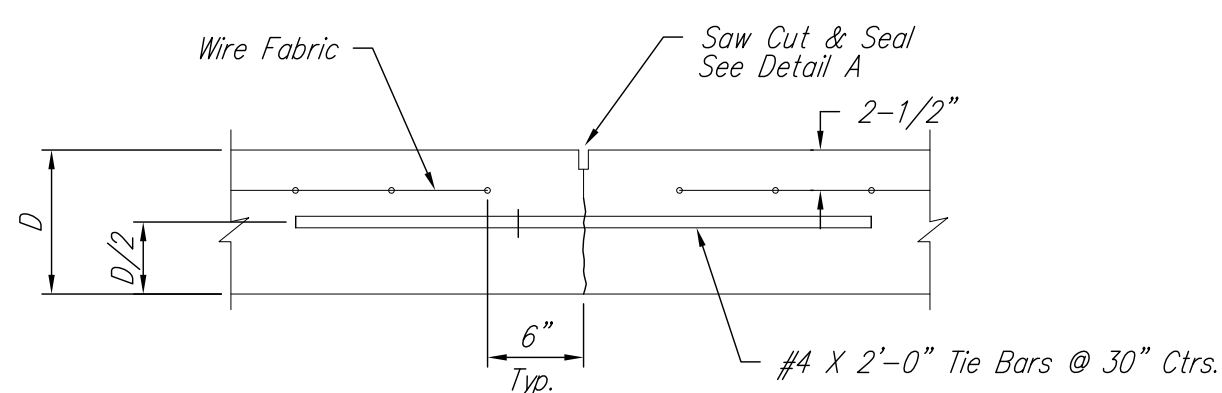
KEYWAY DETAIL



CONTRACTION JOINT DETAIL (C.J.)



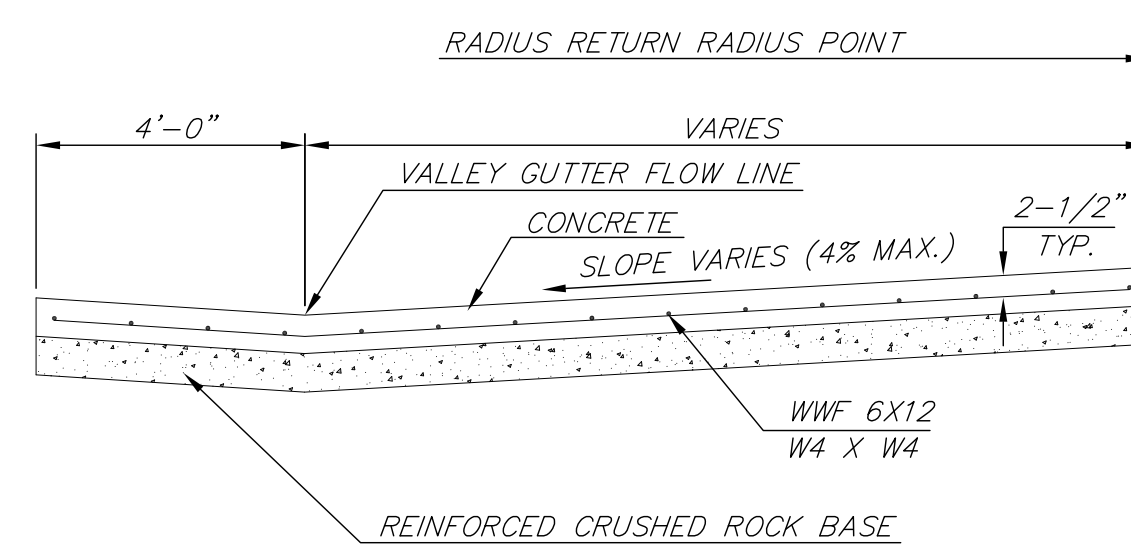
OPTIONAL CONTRACTION JOINT



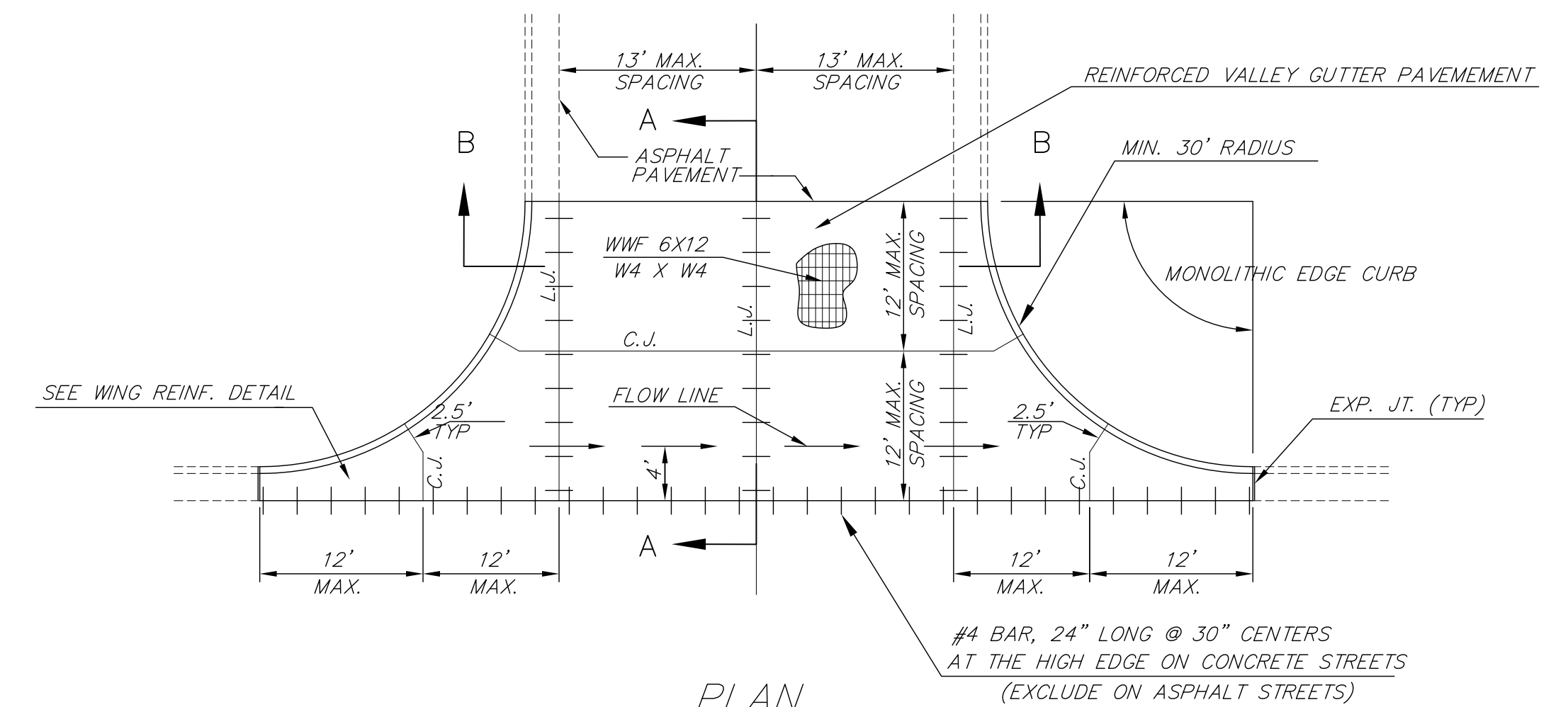
LONGITUDINAL JOINT DETAIL (L.J.)



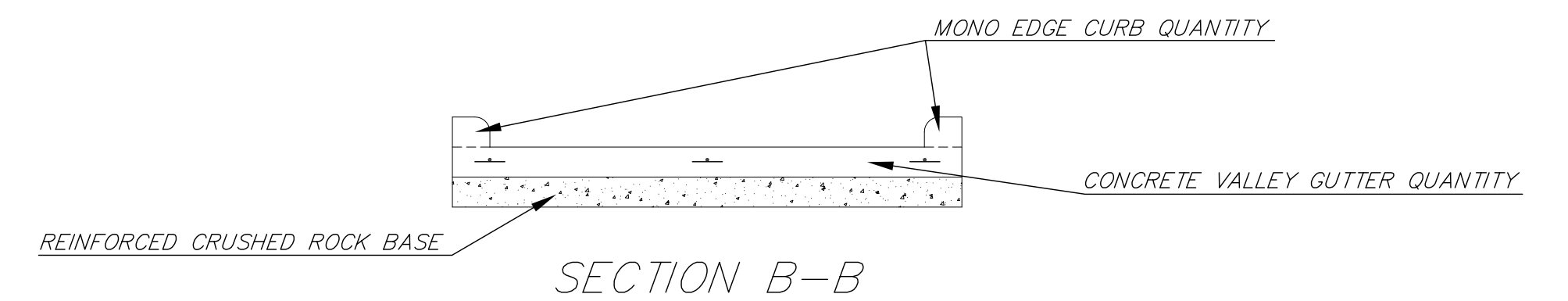
OPTIONAL LONGITUDINAL JOINT DETAIL (L.J.)



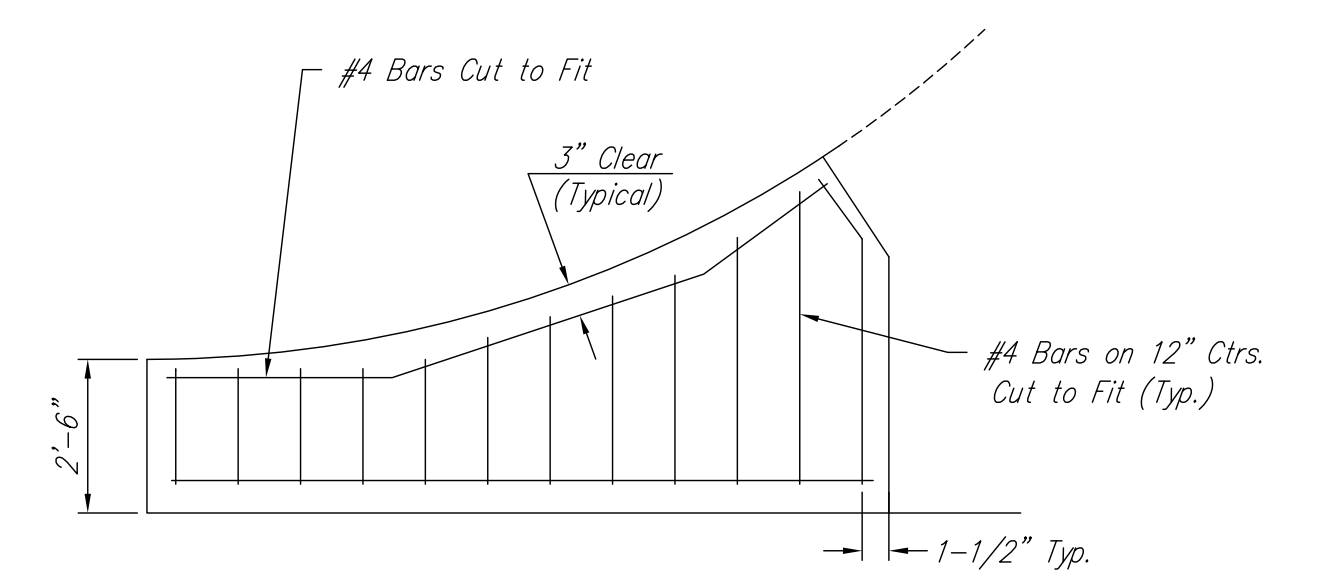
SECTION A-A



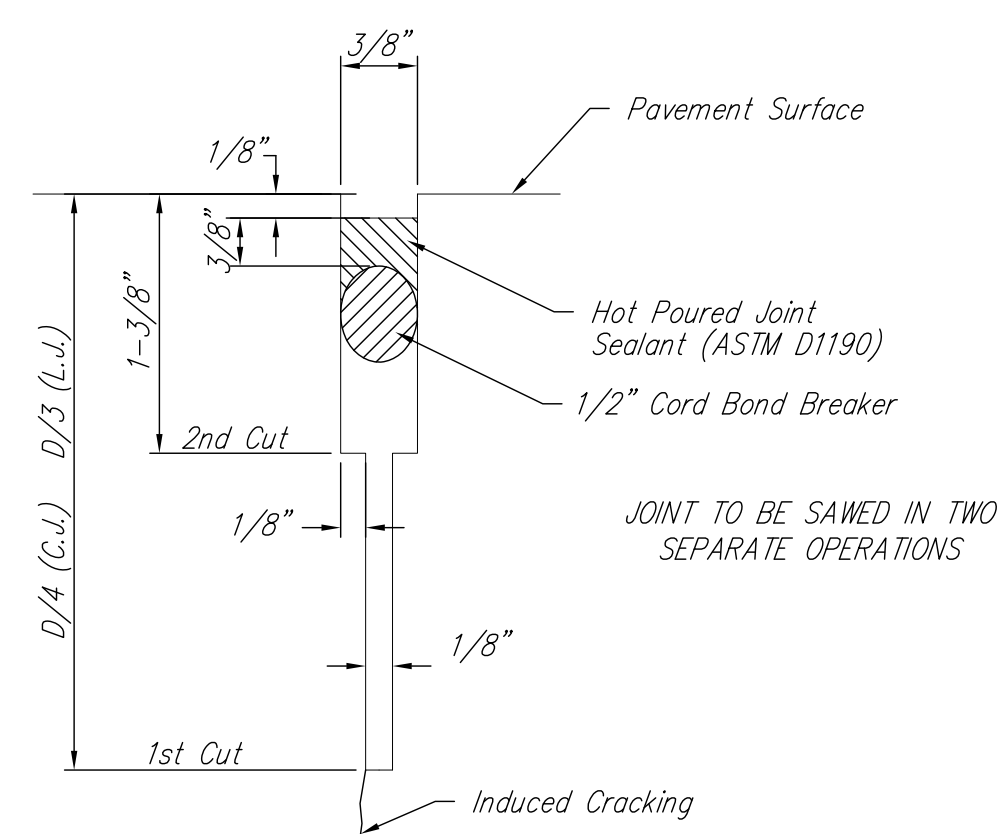
PLAN



REINFORCED VALLEY GUTTER DETAIL



WING REINFORCING DETAIL



SAW JOINT DETAIL (DETAIL A)

REVISED: NOVEMBER 2015

**CITY OF WICHITA**  
PUBLIC WORKS & UTILITIES ENGINEERING DIVISION

| VALLEY GUTTER DETAILS  |            |                         |
|--|------------|-------------------------|
| CITY ENGINEER<br><b>GARY JANZEN, P.E.</b>  |            |                         |
| PROJECT NUMBER   | OCA NUMBER | DATE                    |
| CITY ENGINEER'S OFFICE<br>CITY HALL - SEVENTH FLOOR<br>455 NORTH MAIN STREET<br>WICHITA, KANSAS 67202-1620<br>(316) 268-4501 |            | SHEET<br><b>5 of 27</b> |