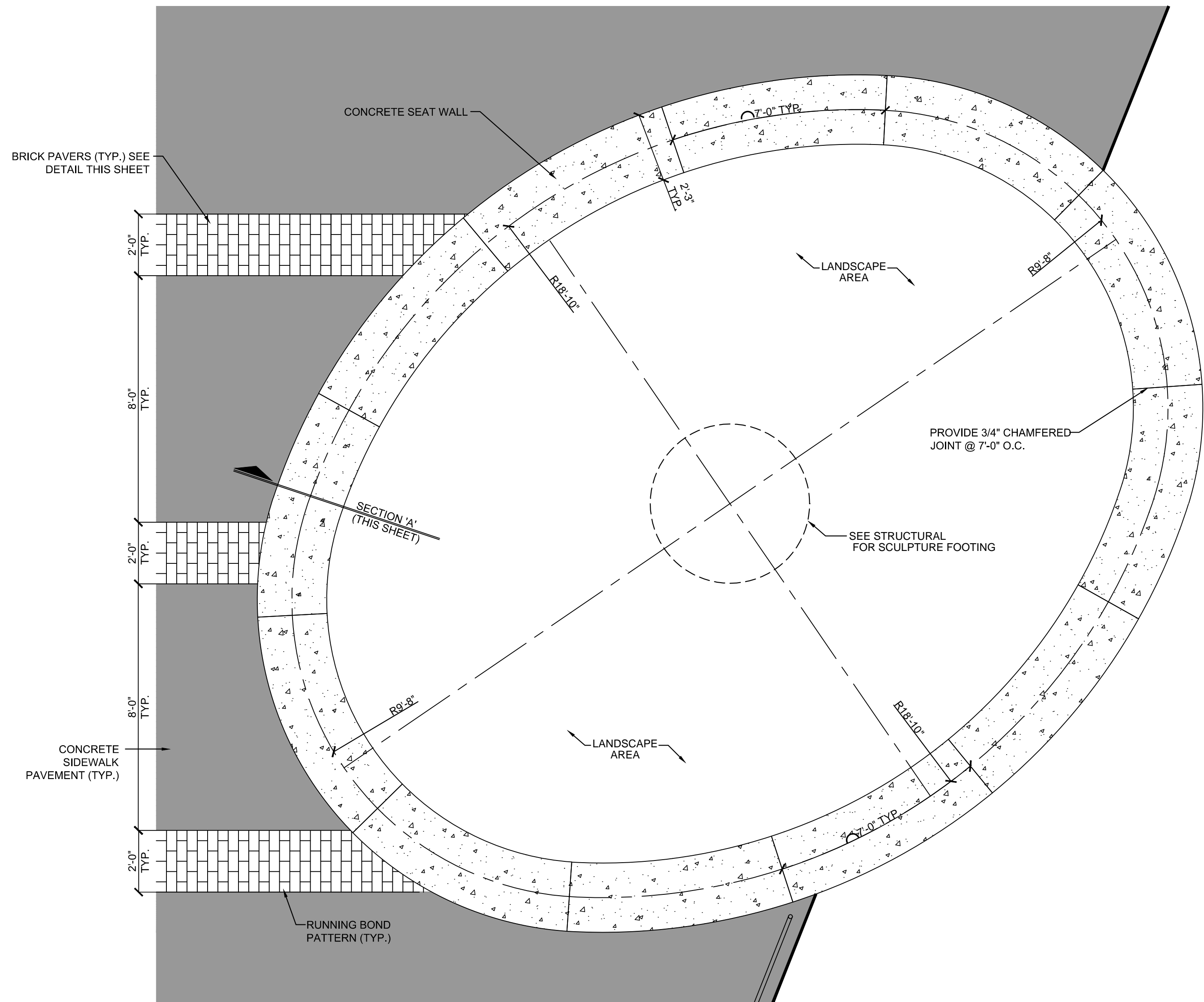
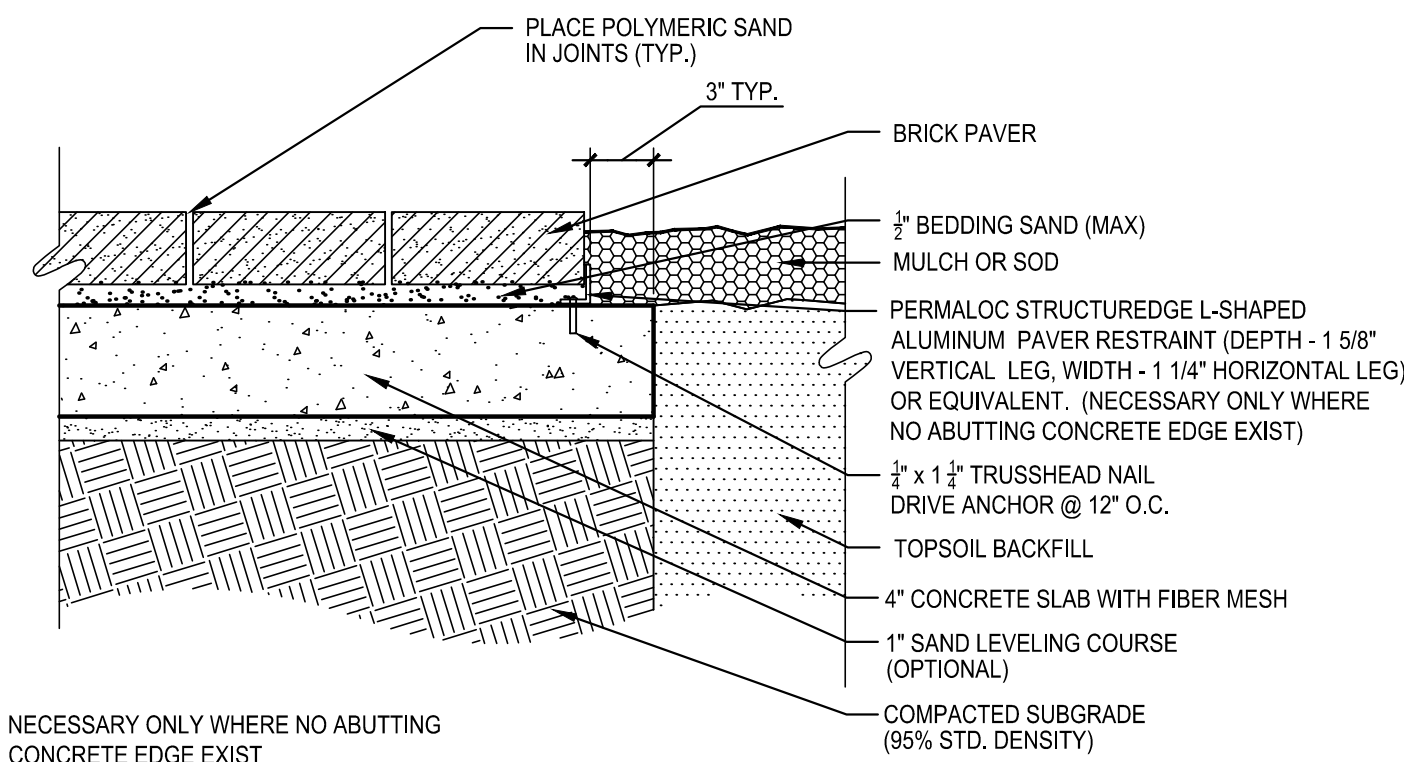


J:\PROJECTS\2017\171010567\_COW\_STRYKER\_170567\_CAD\SHIT\505\_OVALPAVENTRY PLAZA\ENTRANCE PLAZA HARDSCAPE DETAILS.DWG  
 PLOTTED: Wednesday, May 02, 2018 @ 02:58PM

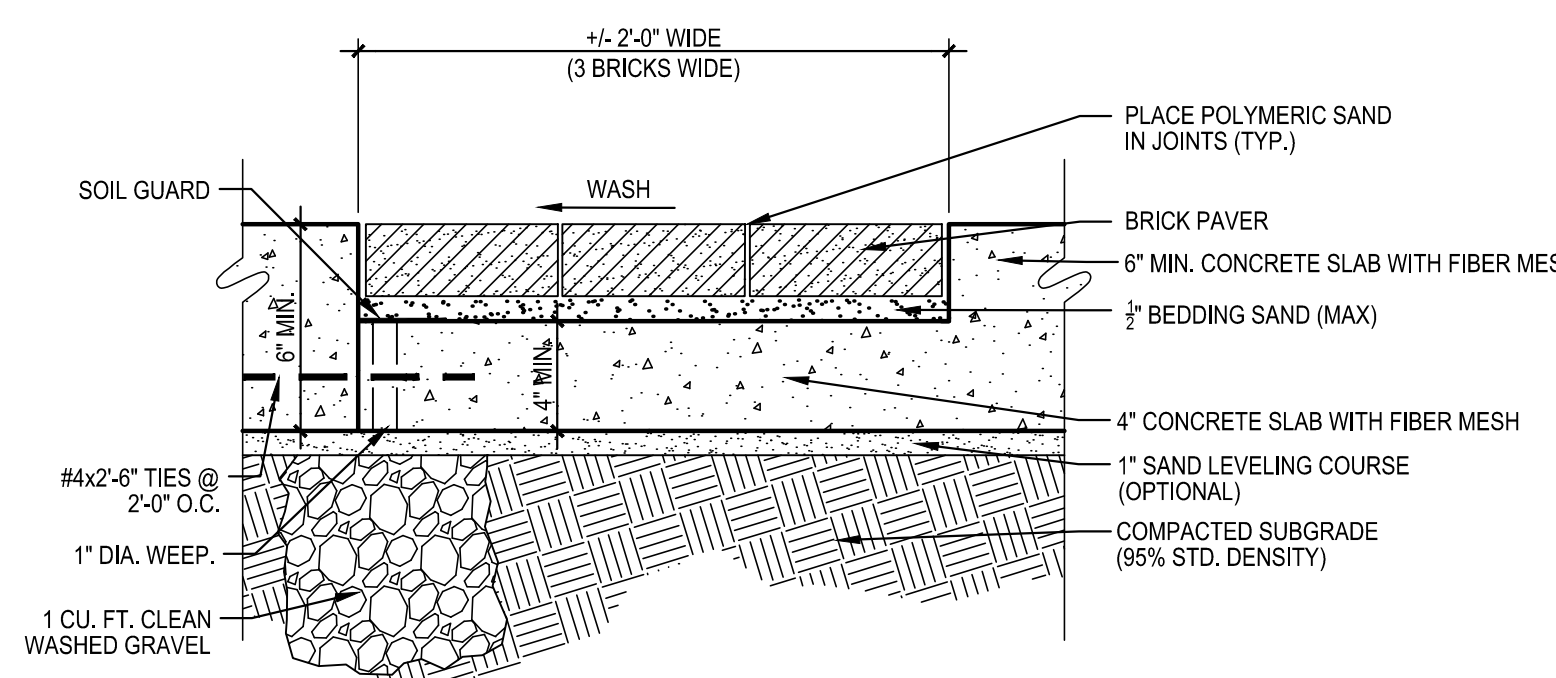


**ENLARGED SITE PLAN - SCULPTURE AREA @ ENTRANCE**  
SCALE: NOT TO SCALE

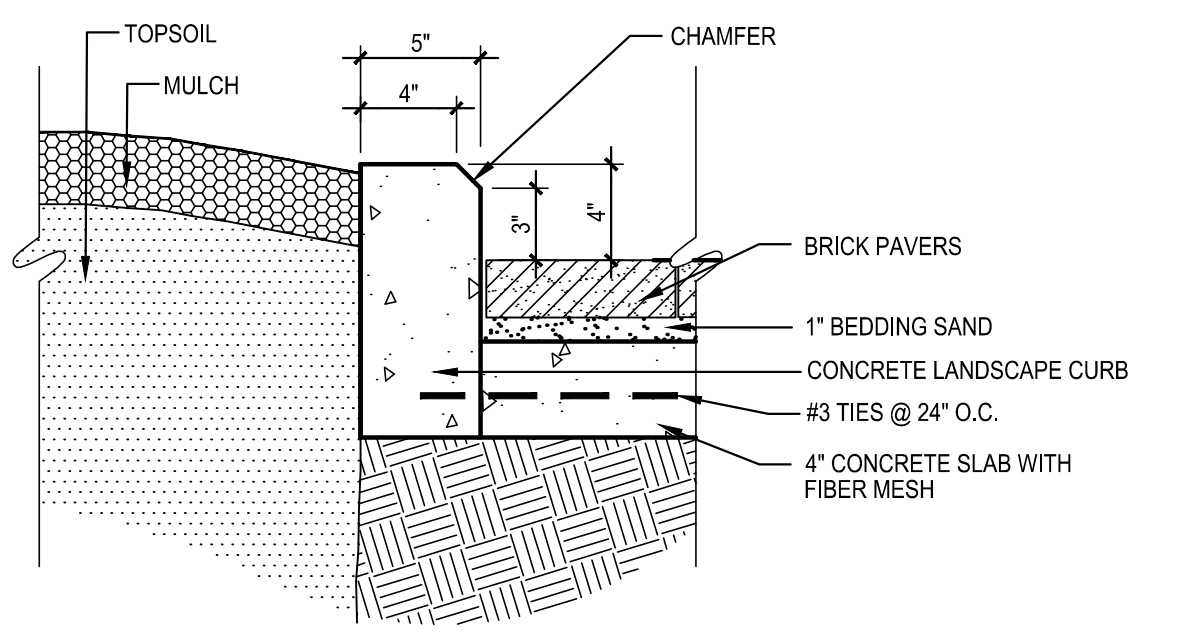
**BRICK PAVER GENERAL NOTES:**  
 MANUFACTURER: ENDICOTT TILE LLC  
 AVAILABLE AT: LUSCO BRICK AND STONE  
 CONTACT: BRUCE GILKESON  
 PHONE: 316.282.0406  
 COLOR: MANGANESE IRONSPOT  
 STYLE: CHAMFERED LUGGED PAVER  
 SIZE: 4" x 8" LIGHT DUTY



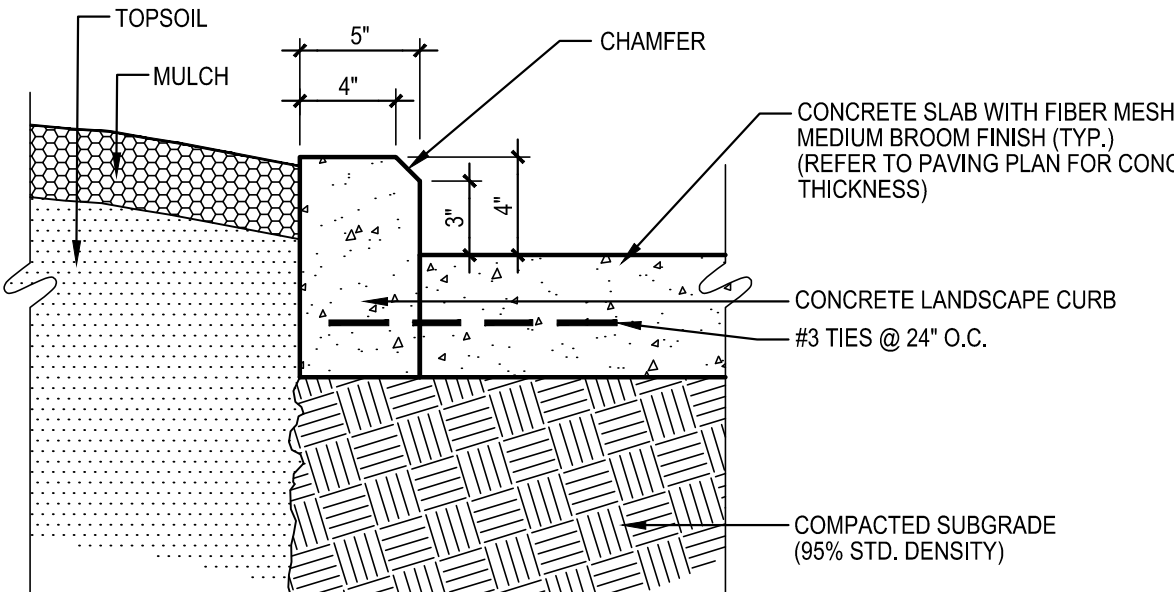
**BRICK PAVERS @ ALUMINUM EDGE RESTRAINT**  
SCALE: NOT TO SCALE



**BRICK PAVERS**  
SCALE: NOT TO SCALE



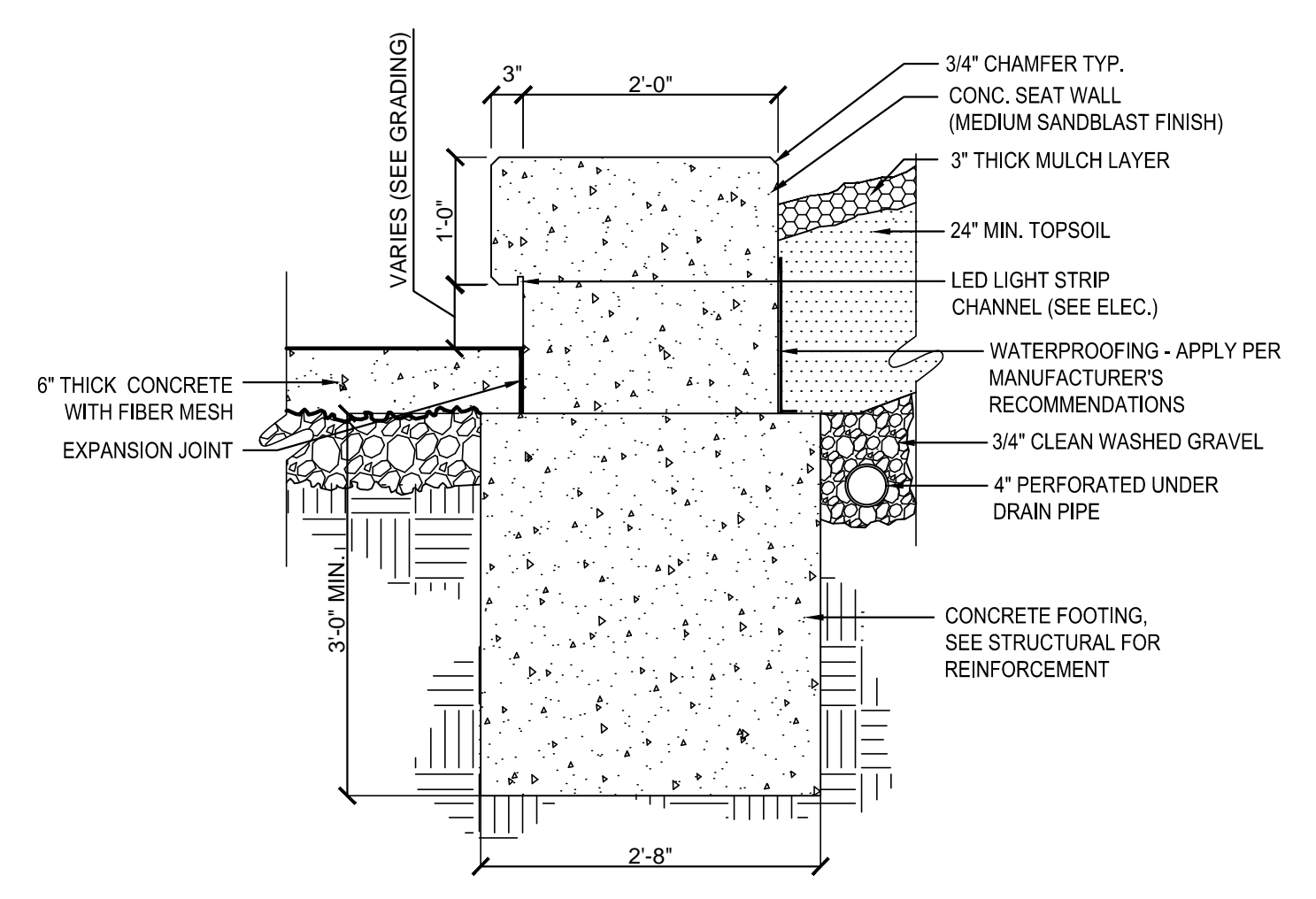
**LANDSCAPE CURB AT BRICK PAVERS**  
SCALE: NOT TO SCALE



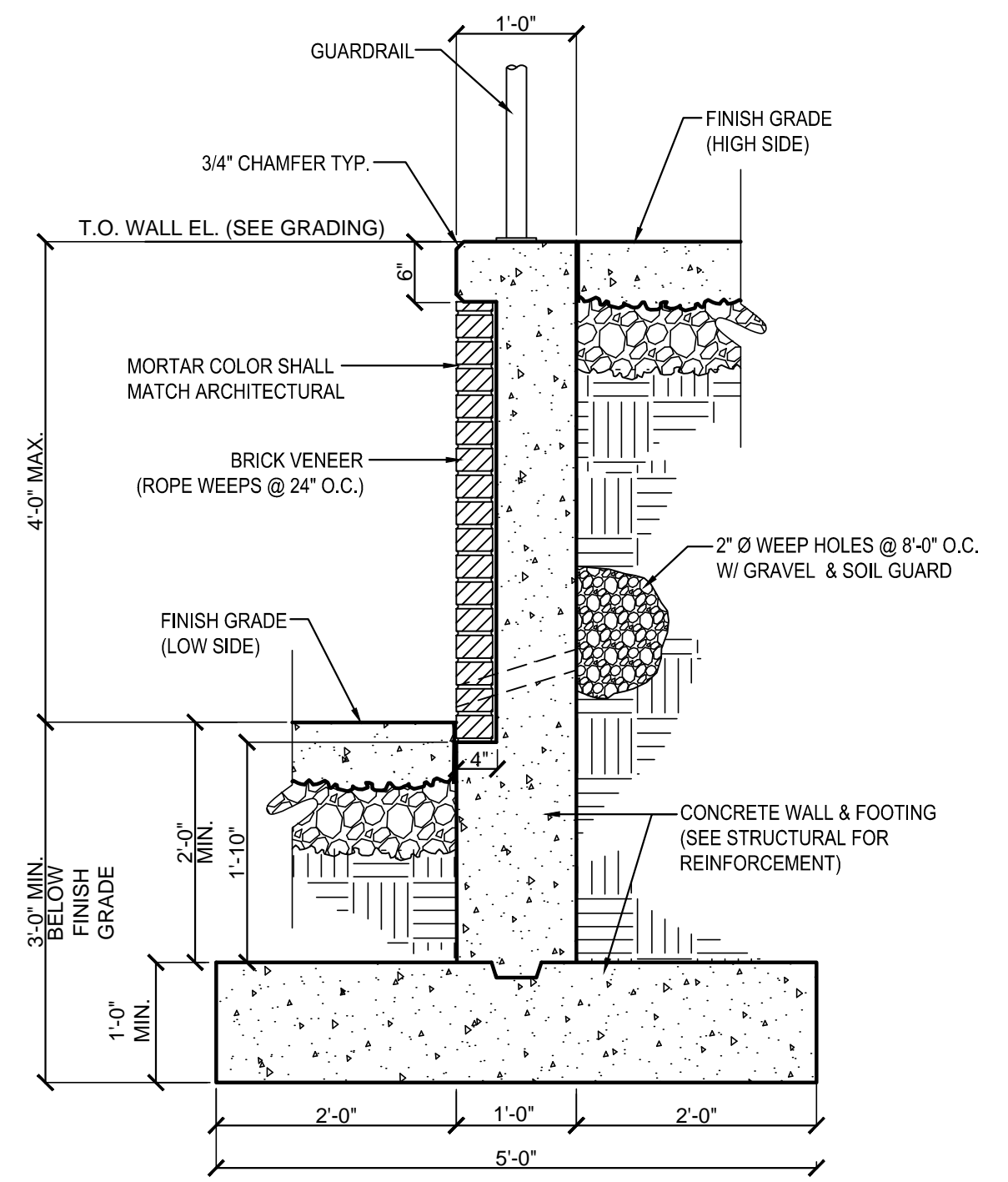
**LANDSCAPE CURB**  
SCALE: NOT TO SCALE

NOTE: REFER TO PAVING DIMENSIONING PLANS FOR BRICK PAVER / CONCRETE BAND DIMENSIONS

NOTE: CONTRACTOR SHALL PROVIDE WEEP HOLES UNDER PAVERS - 1" Ø AT 10'-0" O.C. AND AT ALL LOW POINTS



**SCULPTURE PLANTER 'SECTION A'**  
SCALE: NOT TO SCALE



**RETAINING WALL**  
SCALE: NOT TO SCALE

**GENERAL NOTES:**  
 BRICK VENEER:  
 \*\* MATCH NORTH STADIUM ARCHITECTURAL PATTERNING OR VENEER LAYOUT  
 MANUFACTURER: HEBRON BRICK COMPANY  
 AVAILABLE AT: KANSAS BUILDING PRODUCTS  
 CONTACT: FRANK BAUER  
 PHONE: 316.943.8194  
 COLOR/TYPE: SILVERADO SMOOTH (UTILITY SIZE)  
 WATER SEALANT:  
 MANUFACTURER: PK PROFESSIONAL © WATER SEALANT  
 PHONE: 1.800.676.7346  
 TYPE: PER MANUFACTURERS RECOMMENDATION FOR EACH APPLICATION TYPE  
 NOTE: APPLY WATER SEALANT TO ALL STONE MASONRY AND PRECAST CONCRETE CAPS AND COPING PER MANUFACTURERS SPECIFICATIONS (TYP.)



©2018 MKEC Engineering All Rights Reserved www.mkec.com  
 These drawings and their contents, including, but not limited to, all concepts, designs, & ideas are the exclusive property of MKEC Engineering (MKEC), and may not be used or reproduced in any way without the express consent of MKEC.

**ENTRY PLAZA HARDSCAPE DETAILS**

|                   |             |         |
|-------------------|-------------|---------|
| PROJECT NO.       | 1701010567  |         |
| DATE              | MAY 2, 2018 |         |
| SCALE             | AS NOTED    |         |
| DESIGNED          | DRAWN       | CHECKED |
| JAG               | RKO         | MAB     |
| ISSUED FOR CONST. | 05-02-18    |         |
| NO.               | REVISION    | DATE    |