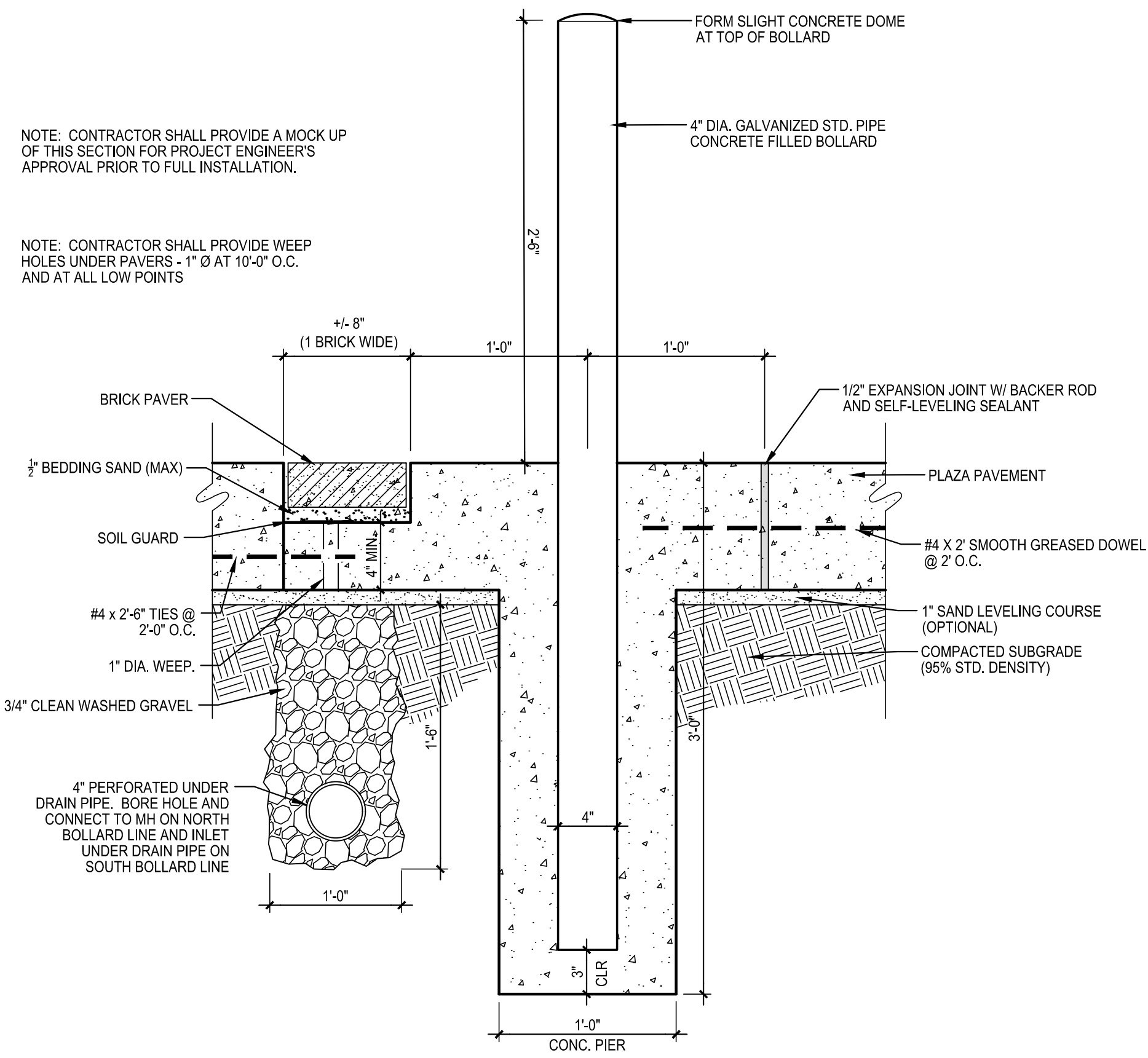
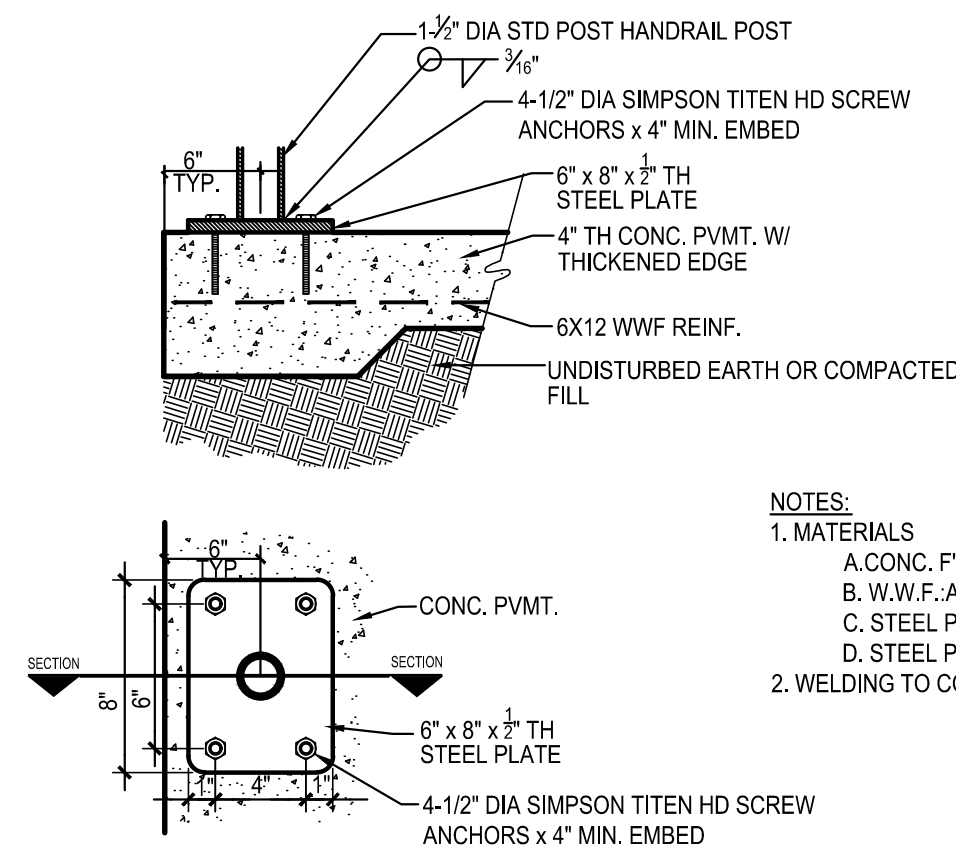


PLOTTED: Wednesday, May 02, 2018 @ 03:00PM

J:\PROJECTS\2017\1701010567_COW_STRYKERL_170567_CAD\SHS\05_OVALPAVENTRY_PLAZA\ENTRYP_LAZA_HARDSCAPE_DETAILS_2.DWG

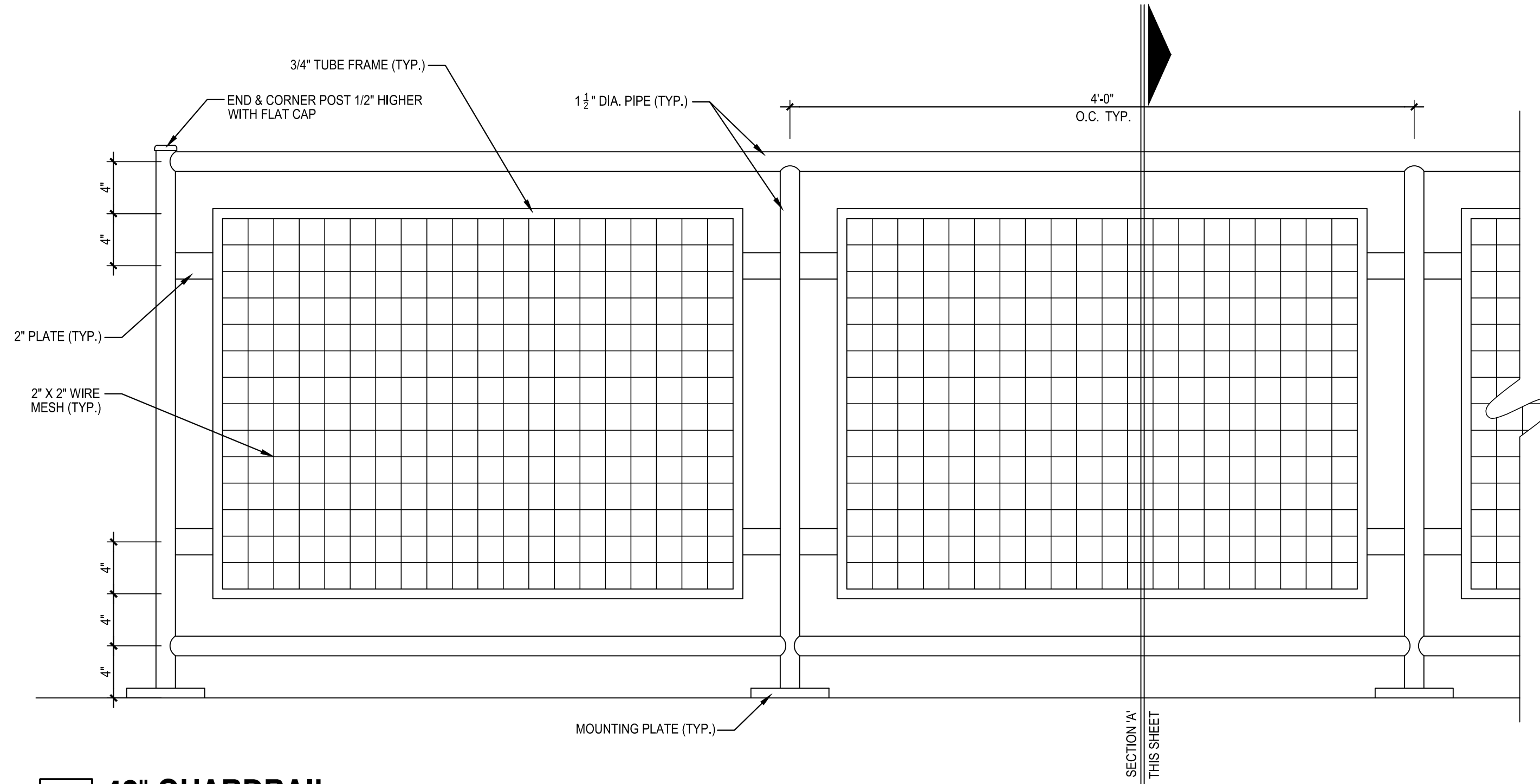


1 BOLLARD/PAVER AT DROP OFF SECTION
SCALE: NOT TO SCALE



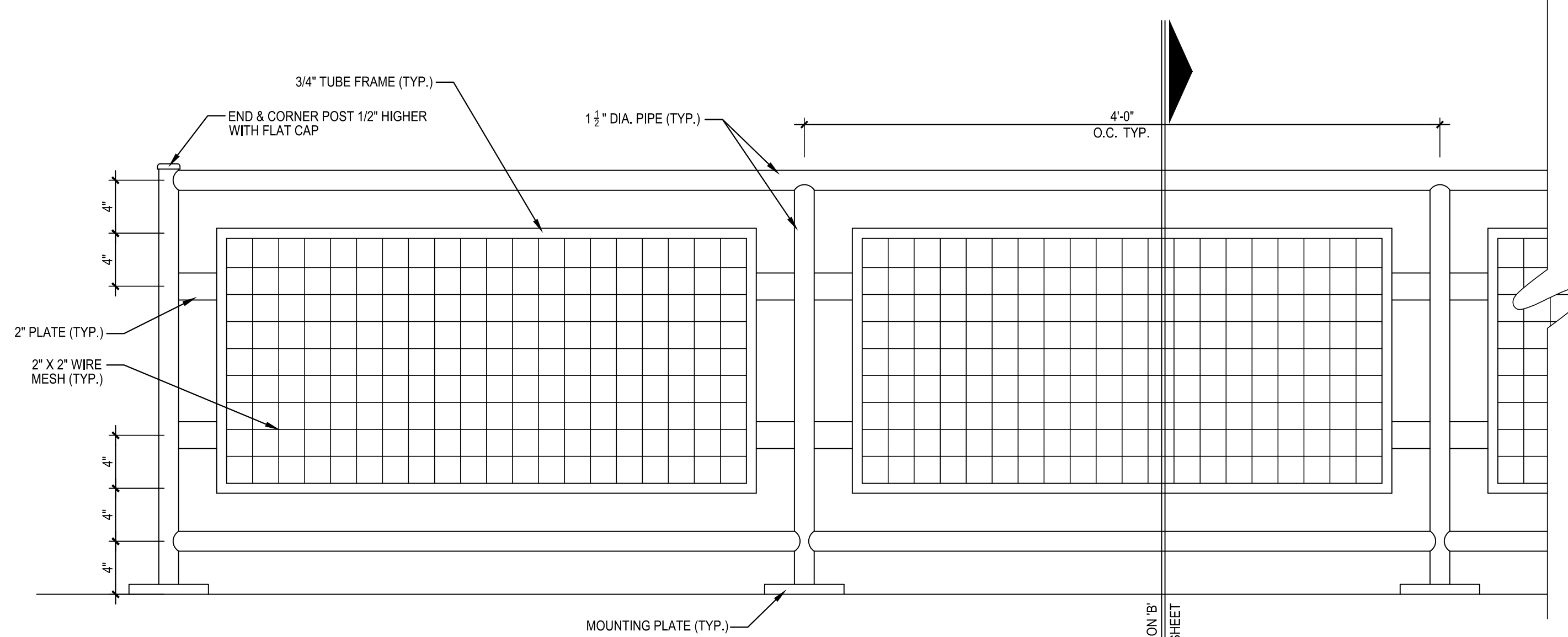
- NOTES:
1. MATERIALS
A. CONC. FC = 4000 PSI, AIR ENTRAINED TO 6%
B. W.W.F.-A185
C. STEEL PLATE: A36
D. STEEL PIPE: A53 GR. B
2. WELDING TO CONFORM TO AWS

2 GUARDRAIL CONNECTION DETAIL
SCALE: N.T.S.

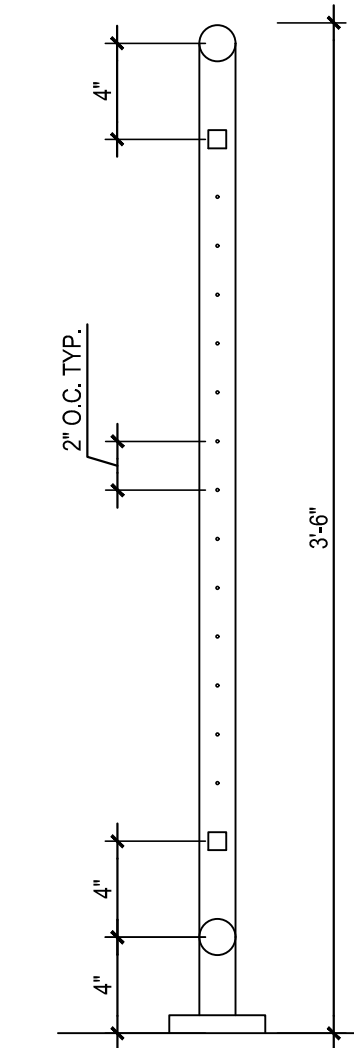


3 42" GUARDRAIL
SCALE: NOT TO SCALE

NOTE: ALL STRUCTURAL STEEL SHALL BE GALVANIZED PER ASTM A123 (AS NOTED ON PLANS). STRUCTURAL STEEL WIDE FLANGE SHAPES SHALL MEET ASTM A992 (FY = 50 KSI MIN.). STRUCTURAL SHAPES OTHER THAN WIDE FLANGE SHALL MEET ASTM A36 (FY = 55 KSI MIN.), COLUMN ANCHOR RODS - ASTM F1554 (FY = 55 KSI MIN.) AND PUMP ANCHOR RODS - ASTM F1554 (FY = 105 KSI MIN.) TYP. UNLESS OTHERWISE.



4 32" SEATED VIEWING AREA GUARDRAIL
SCALE: NOT TO SCALE



3 SECTION 'A'
SCALE: NOT TO SCALE



4 SECTION 'B'
SCALE: NOT TO SCALE



©2018 MKEC Engineering All Rights Reserved
www.mkec.com
These drawings and their contents, including, but not limited to, all concepts, designs, & ideas are the exclusive property of MKEC Engineering (MKEC), and may not be used or reproduced in any way without the express consent of MKEC.

**ENTRY PLAZA
HARDSCAPE
DETAILS 2**

PROJECT NO.	1701010567	
DATE	MAY 2, 2018	
SCALE	AS NOTED	
DESIGNED	DRAWN	CHECKED
JAG	RKO	MAB

NO.	REVISION	DATE
0	ISSUED FOR CONST.	05-02-18

SHEET NO.