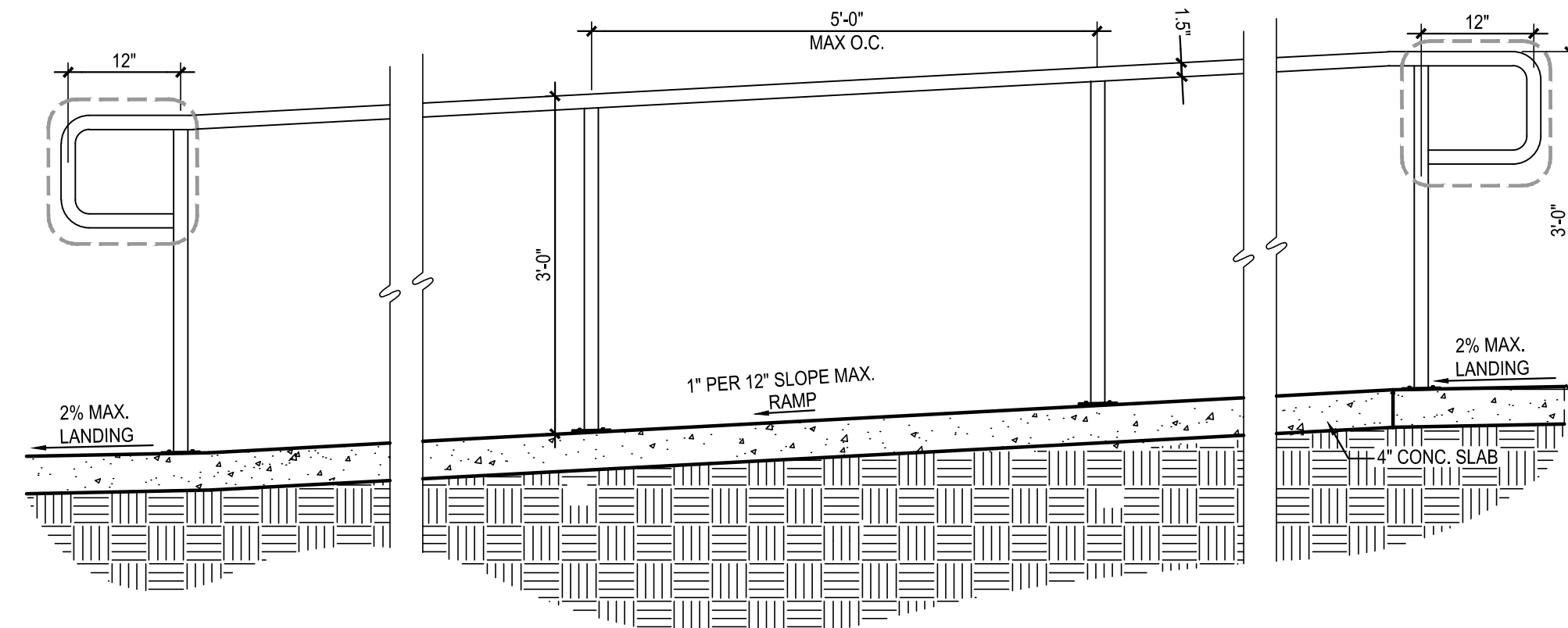


PLOTTED: Wednesday, May 02, 2018 @ 03:02PM

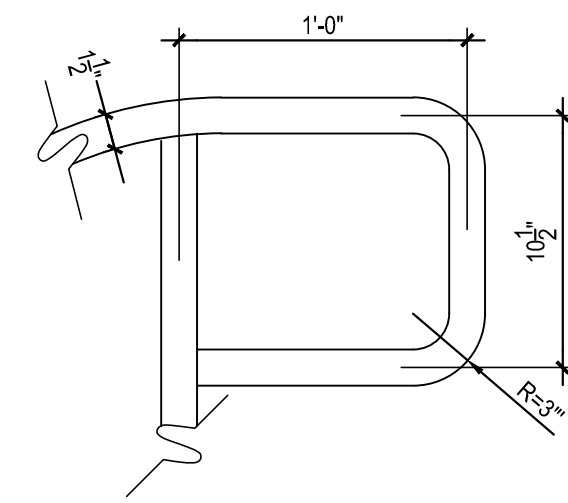
J:\PROJECTS\2017\1701010567_COW_STRYKER\170567 CAD\SHITS\05 CIVIL\PAVEMENT\PLAZA ENTRY PLAZA HARDSCAPE DETAILS_3.DWG

NOTE: ALL STRUCTURAL STEEL SHALL BE GALVANIZED PER ASTM A123 (AS NOTED ON PLANS). STRUCTURAL STEEL WIDE FLANGE SHAPES SHALL MEET ASTM A992 (FY = 50 KSI MIN.). STRUCTURAL SHAPES OTHER THAN WIDE FLANGE SHALL MEET ASTM A36 (FY = 55 KSI MIN.). COLUMN ANCHOR RODS - ASTM F1554 (FY = 55 KSI MIN.) AND PUMP ANCHOR RODS - ASTM F1554 (FY = 105 KSI MIN.) TYP. UNLESS OTHERWISE.

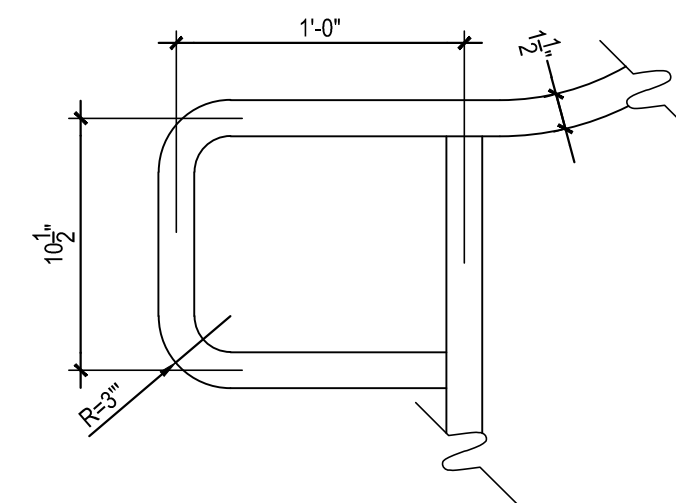
NOTE: WHEN ADJACENT TO A VERTICAL SURFACE, HANDRAIL SHALL BE A MINIMUM OF 1.5" FROM EXTERIOR FACE.



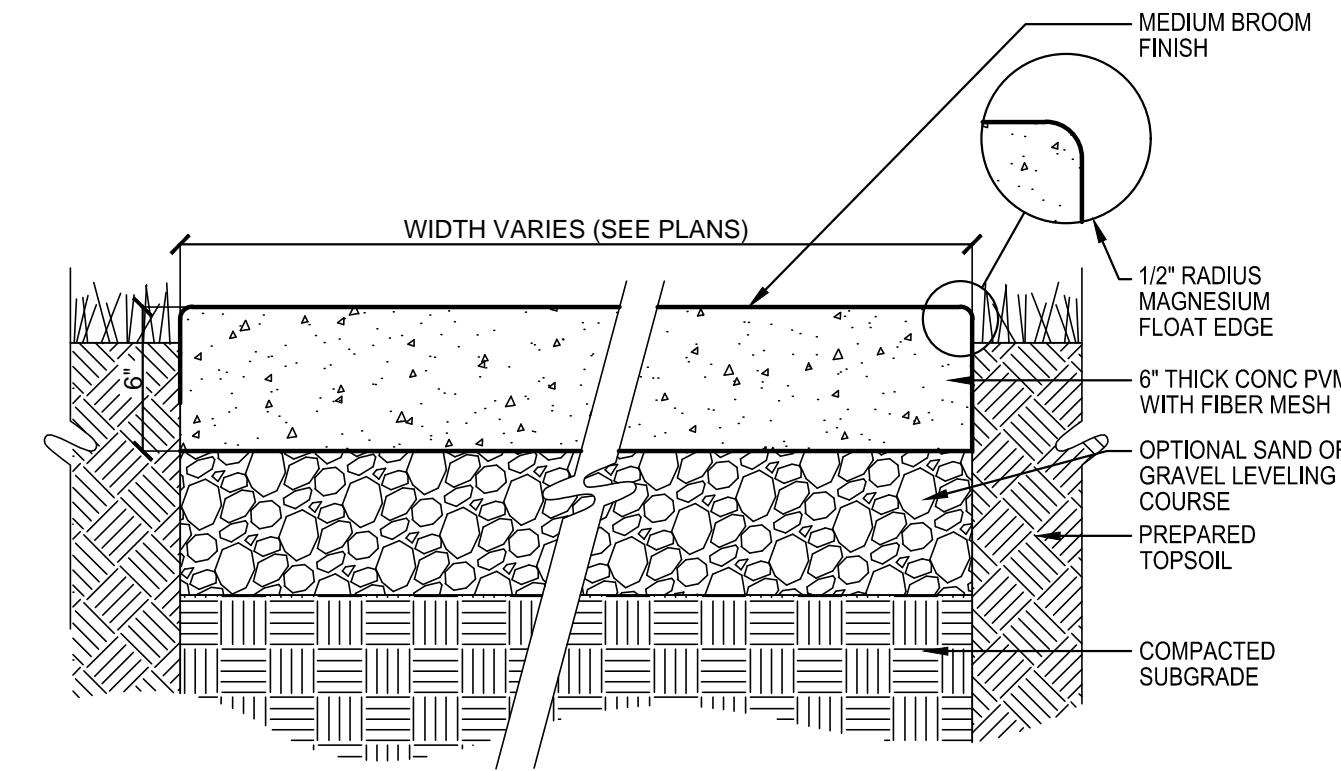
1 SIDEWALK RAMP / HANDRAIL DETAIL
SCALE: N.T.S.



2 HANDRAIL TERMINUS
SCALE: N.T.S. (@ TOP)

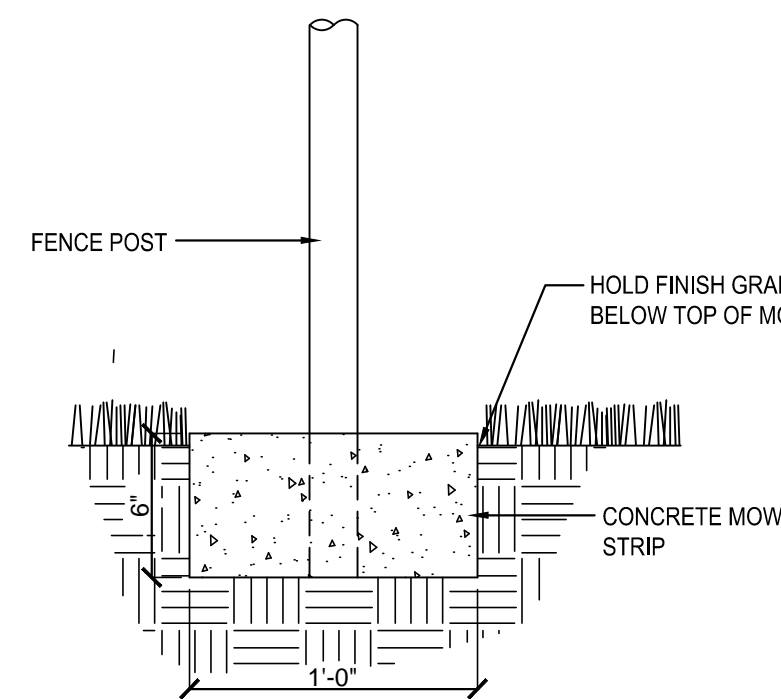


2 HANDRAIL TERMINUS
SCALE: N.T.S. (@ BOTTOM)

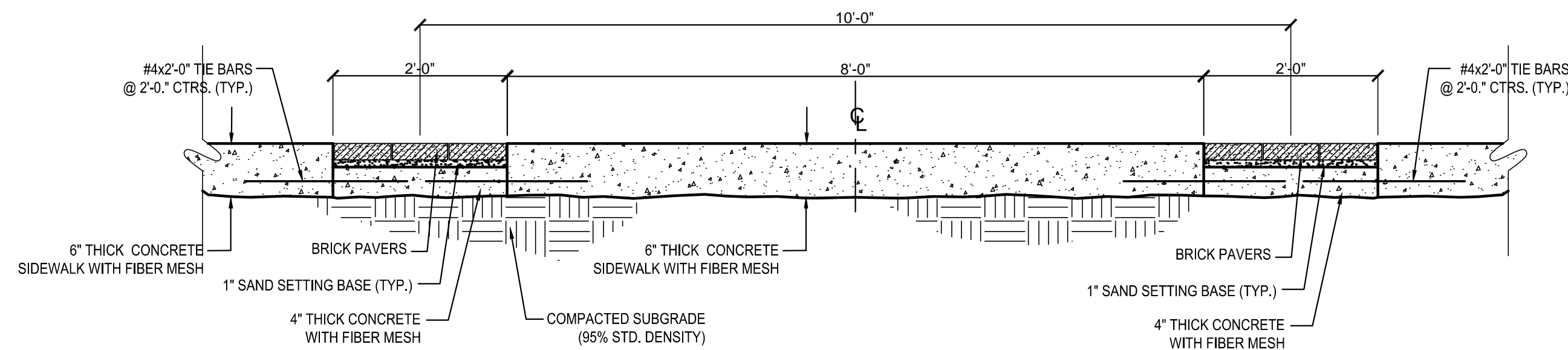


3 CONC. SIDEWALK
SCALE: NOT TO SCALE

GENERAL NOTE: SIDEWALKS SHALL NOT EXCEED 5% SLOPE OR EXCEED A 2% CROSS SLOPE.



4 CONCRETE MOW STRIP / FENCING CURB
SCALE: NOT TO SCALE



NOTE: CONTRACTOR SHALL PROVIDE WEEP HOLES UNDER BRICK PAVERS - 1" Ø AT 8'-0" O.C.

5 TYPICAL SPECIALTY PAVEMENT SECTION
SCALE: NOT TO SCALE



©2018 MKEC Engineering All Rights Reserved www.mkec.com
These drawings and their contents, including, but not limited to, all concepts, designs, & ideas are the exclusive property of MKEC Engineering (MKEC), and may not be used or reproduced in any way without the express consent of MKEC.

**ENTRY PLAZA
HARDSCAPE
DETAILS 3**

PROJECT NO.	1701010567	
DATE	MAY 2, 2018	
SCALE	AS NOTED	
DESIGNED	DRAWN	CHECKED
JAG	RKO	ABC

NO.	REVISION	DATE
0	ISSUED FOR CONST.	05-02-18