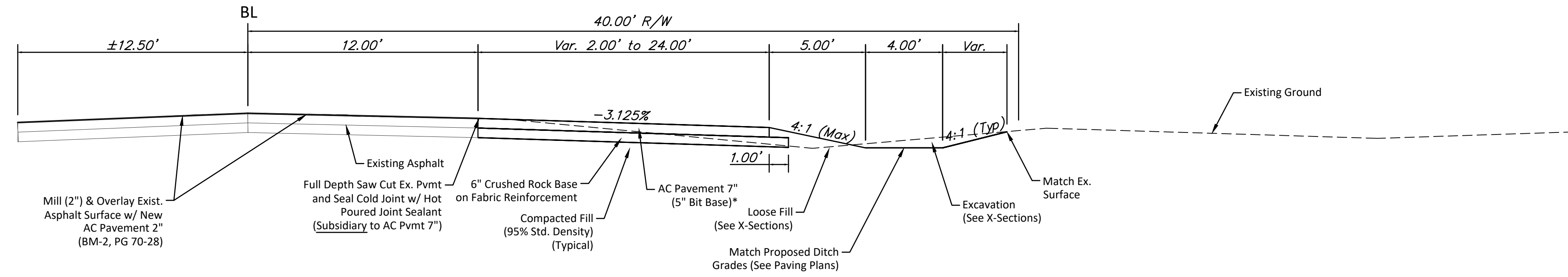


167TH STREET
STA. 7+52.00 to 10+52.00

1" = 4'

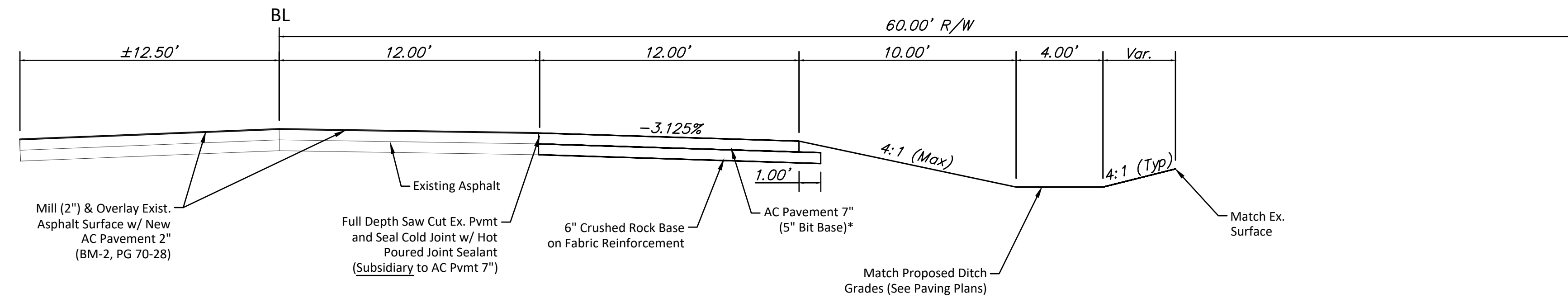
Asphalt Specs*
 5" Bit Base
 BM-2, PG 64-22
 in Two Lifts w/
 2" Surface Course
 BM-2, PG 70-28



167TH STREET
STA. 11+62.00 to 17+52.00

1" = 4'

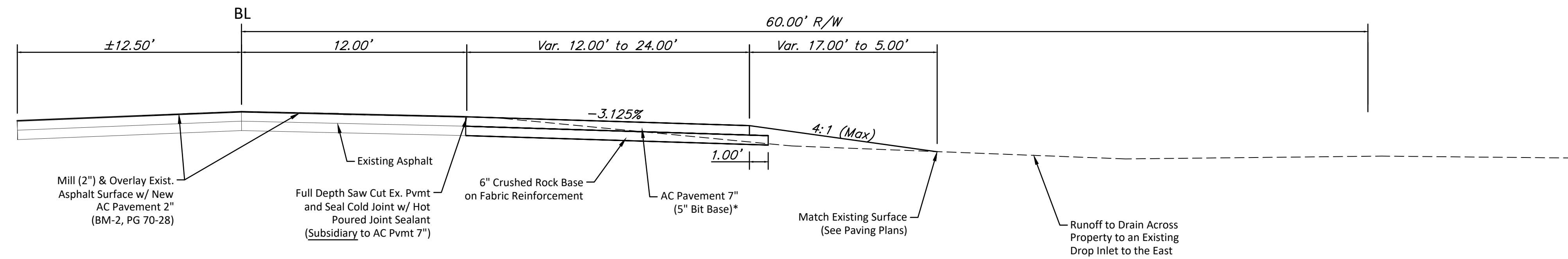
Asphalt Specs*
 5" Bit Base
 BM-2, PG 64-22
 in Two Lifts w/
 2" Surface Course
 BM-2, PG 70-28



167TH STREET
STA. 17+52.00 to 19+77.00

1" = 4'

Asphalt Specs*
 5" Bit Base
 BM-2, PG 64-22
 in Two Lifts w/
 2" Surface Course
 BM-2, PG 70-28



167TH STREET
STA. 20+93.00 to 25+63.00

1" = 4'

Asphalt Specs*
 5" Bit Base
 BM-2, PG 64-22
 in Two Lifts w/
 2" Surface Course
 BM-2, PG 70-28

