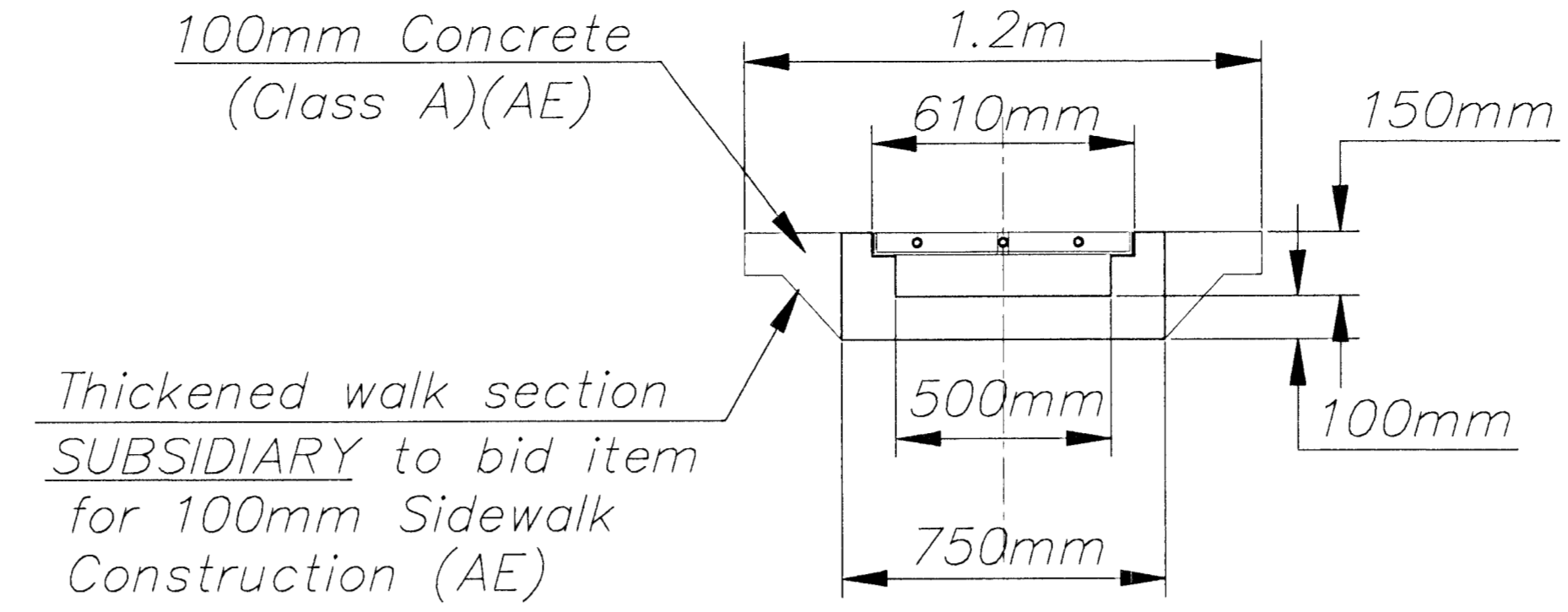
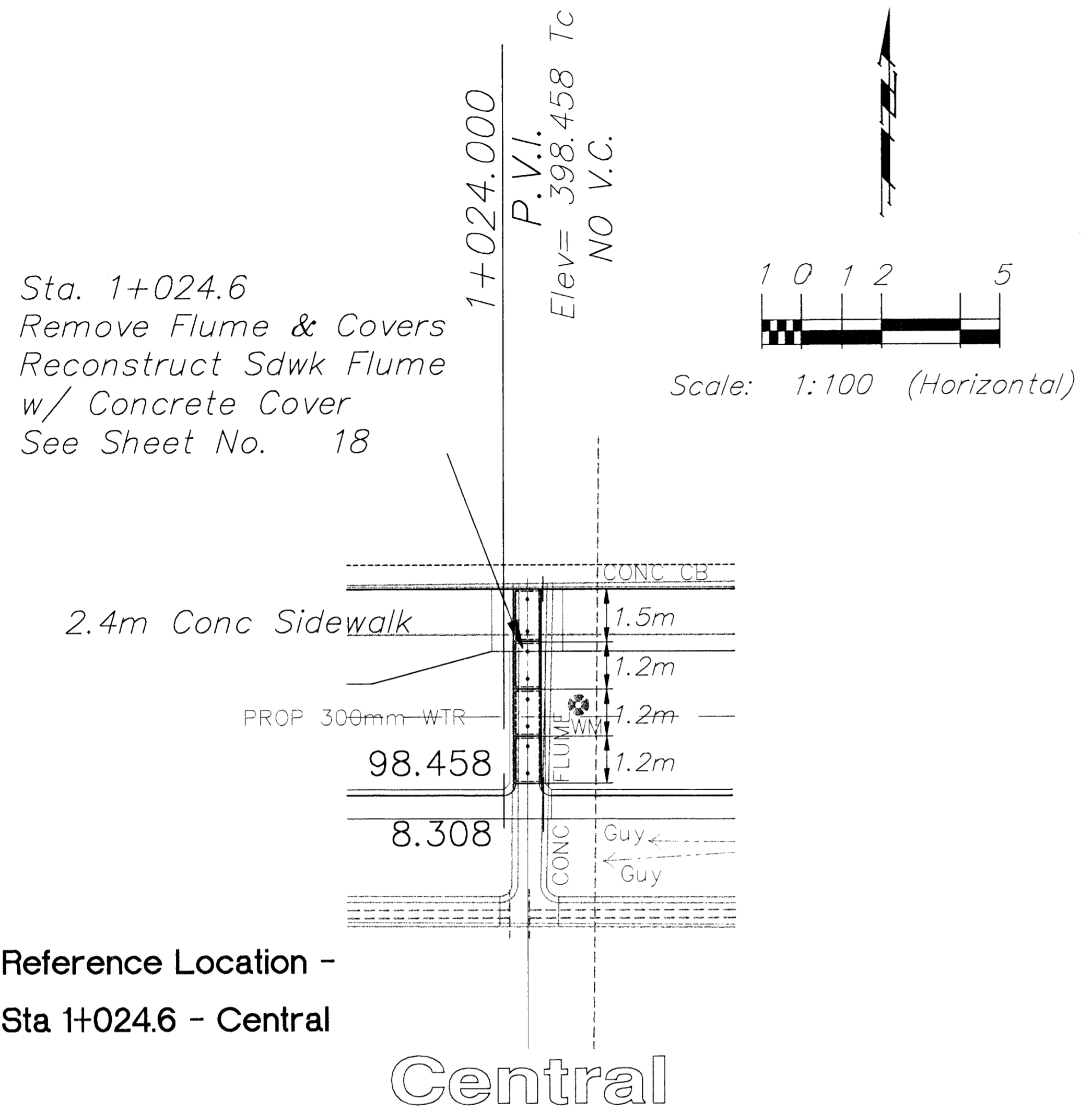
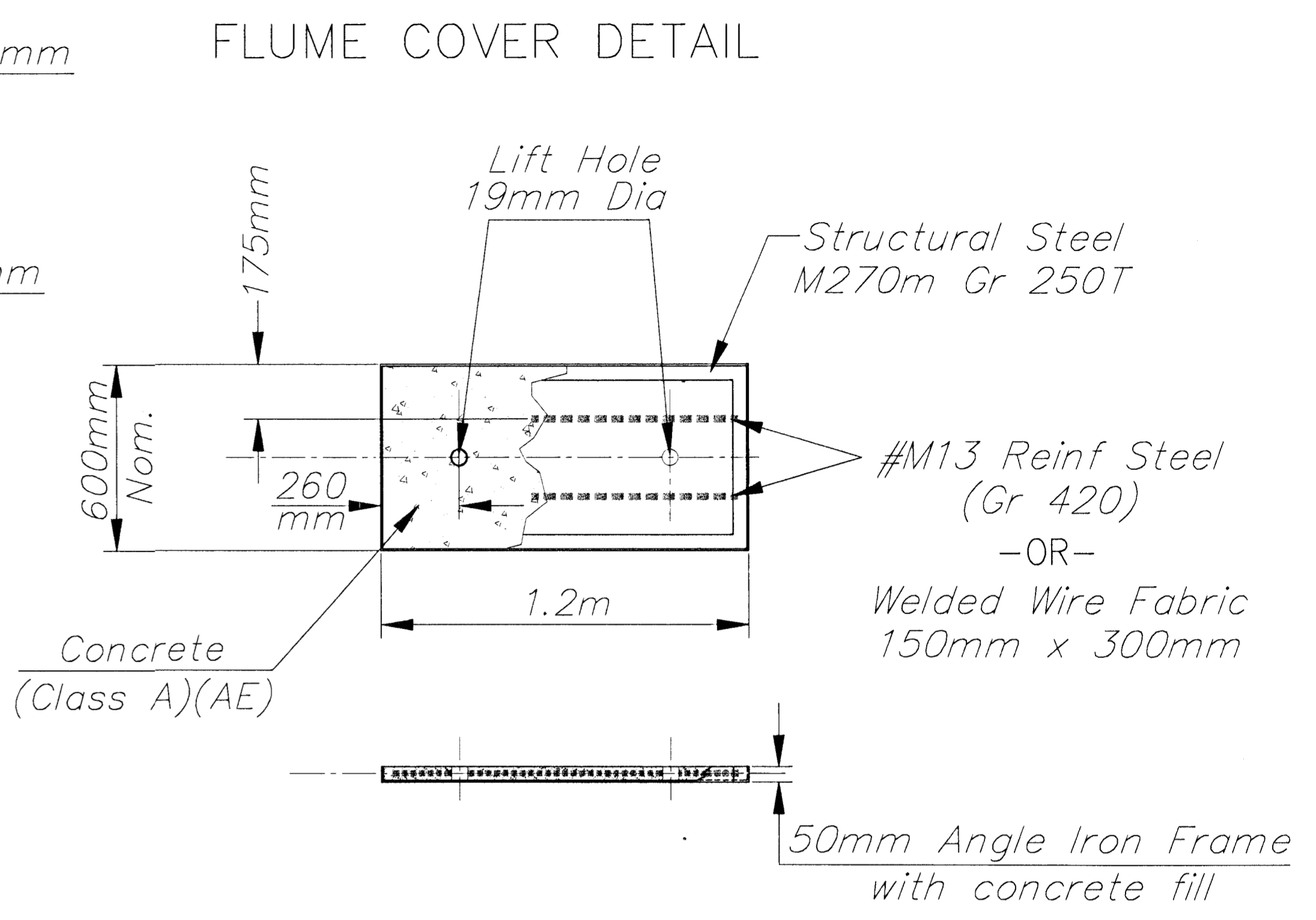
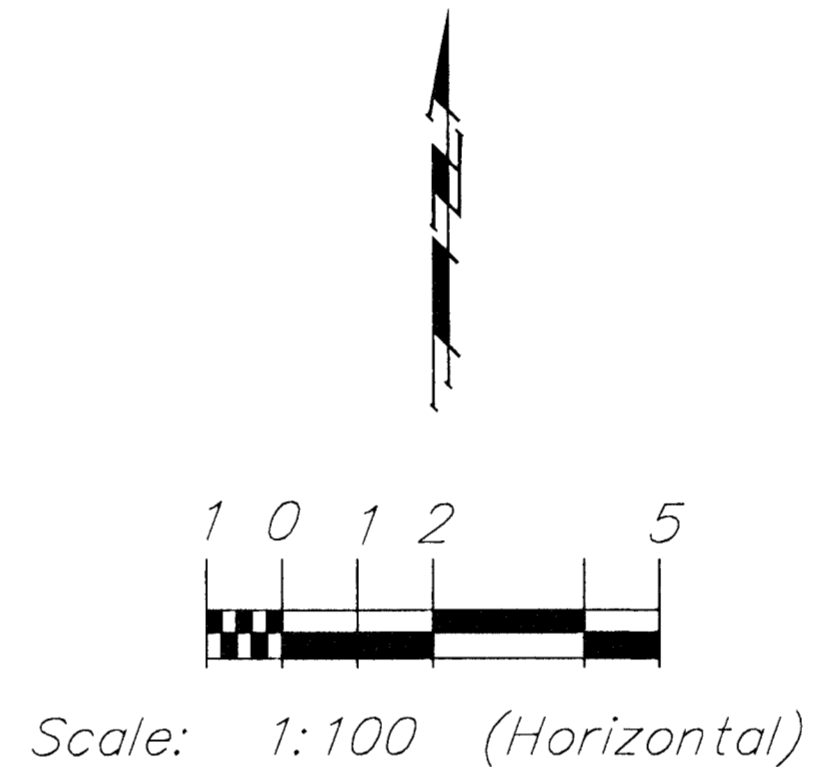


FHWA REGION NO.	STATE	PROJECT NO.	FISCAL YEAR	SHEET NO.	TOTAL SHEETS
7	KANSAS	87N-0094-01	1998	41	202



CONCRETE FLUME DETAIL
STA 0+317.4



Sta. 0+317.4
Remove Flume & Covers
Reconstruct Sdwk Flume
w/ Concrete Cover
See Sheet No. 10

