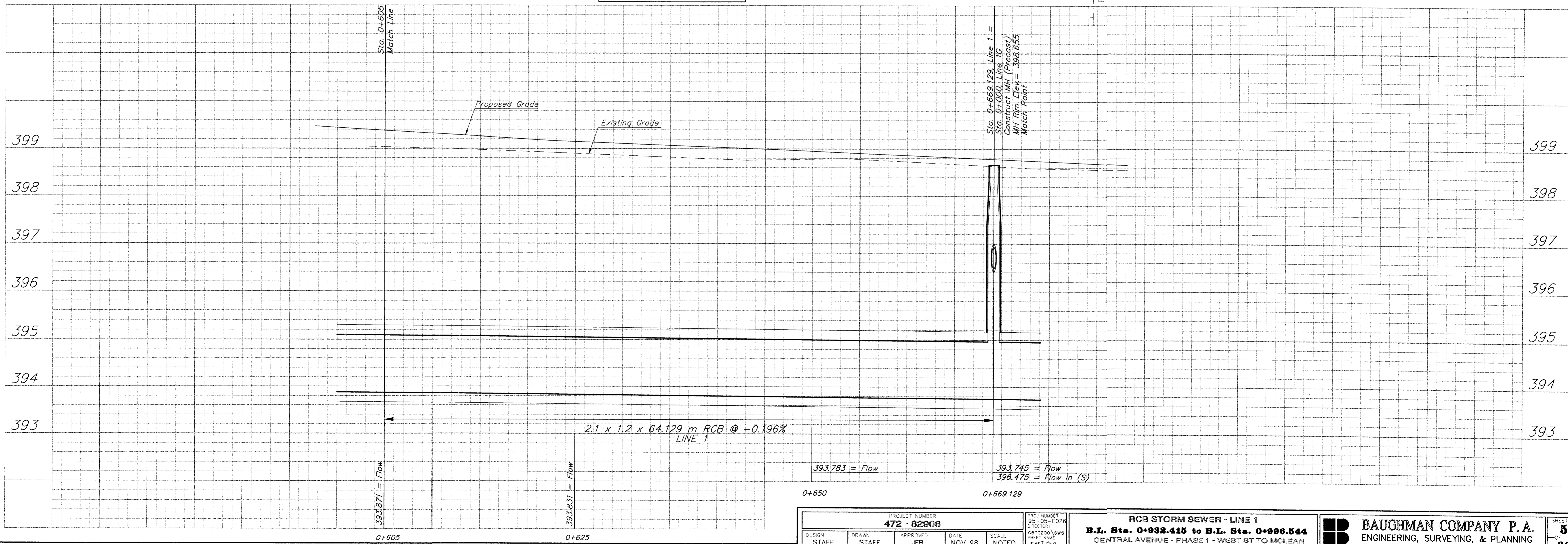
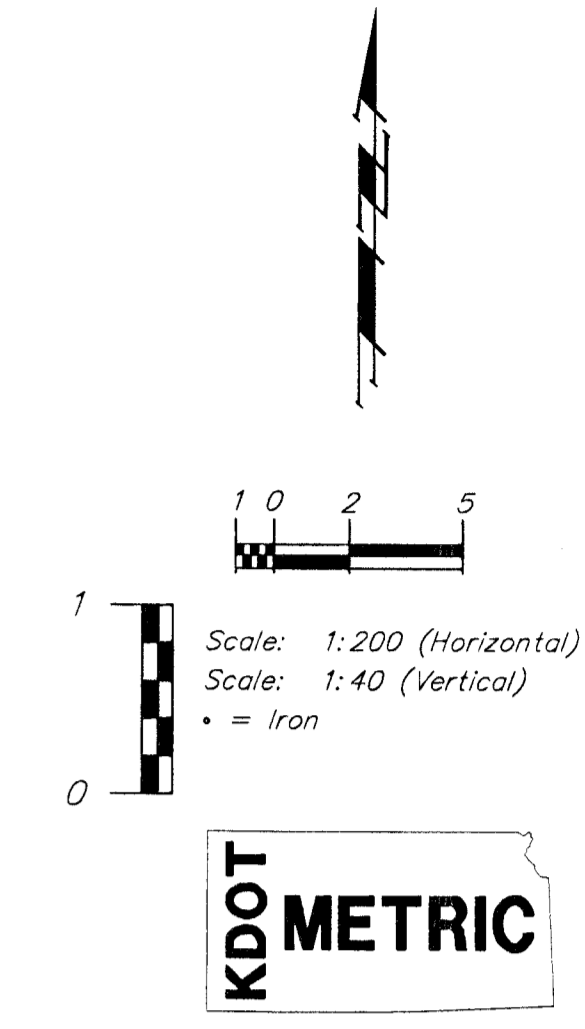
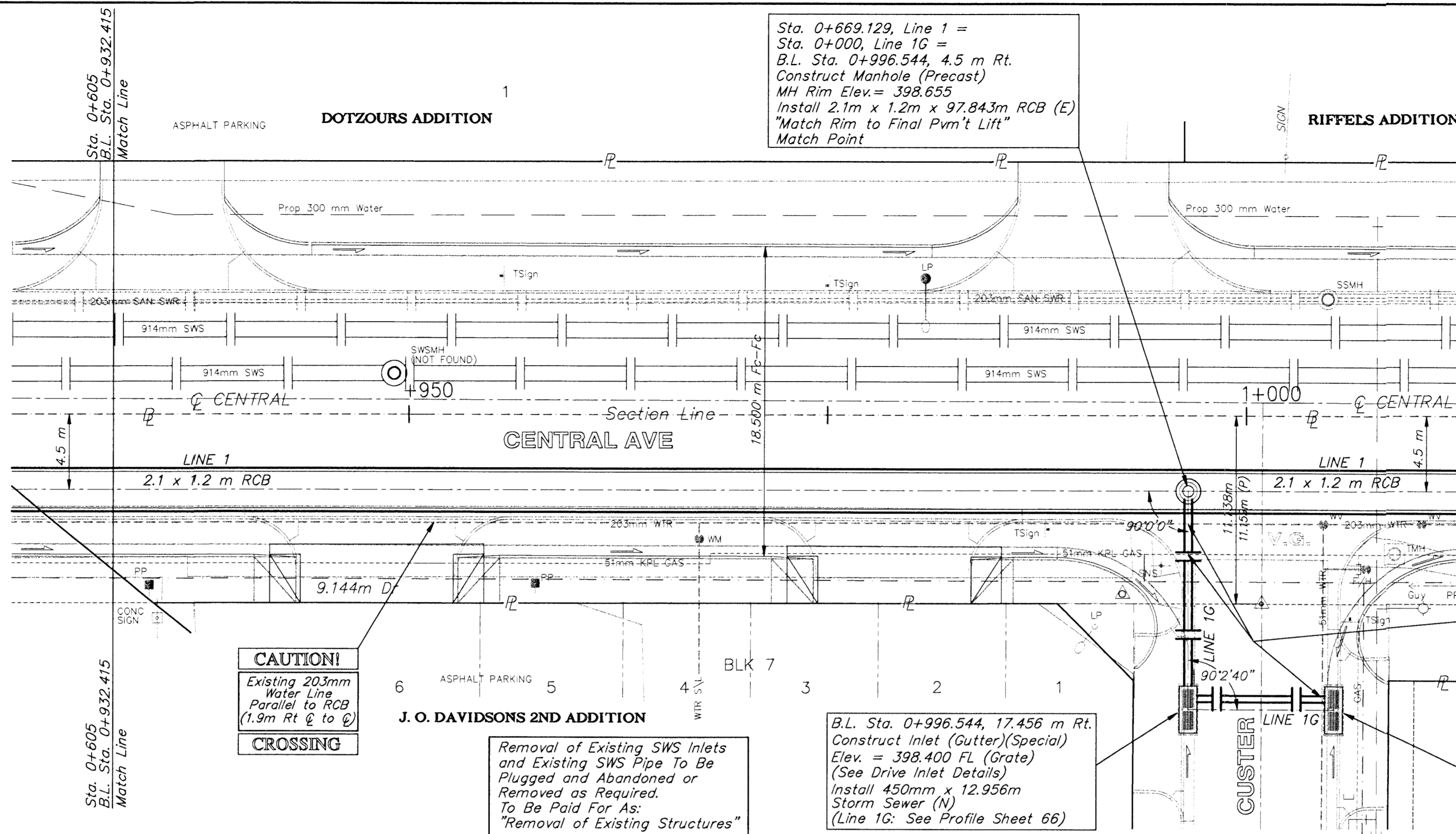


BENCHMARKS

BM #6 - "□" Top of Curb @ 31.09m South and 4.72m West of the Centerline of both Custer and Central.
Elev. = 398.607 SI Units
(1307.75 MSL Datum)

FHWA REGION NO.	STATE	PROJECT NO.	FISCAL YEAR	SHEET NO.	TOTAL SHEETS
7	KANSAS	87N-0094-01	1998	57	202



PROJECT NUMBER 472 - 82906		PROJ NUMBER 95-05-EO28	
DESIGN STAFF	DRAWN STAFF	APPROVED JFB	DATE NOV 98
SCALE NOTED		SHEET NAME sws7.dwg	

RCB STORM SEWER - LINE 1
B.L. Sta. 0+932.415 to B.L. Sta. 0+996.544
CENTRAL AVENUE - PHASE 1 - WEST ST TO MCLEAN

BAUGHMAN COMPANY P.A.
ENGINEERING, SURVEYING, & PLANNING
318-282-7271 • 315 ELLIS • WICHITA, KANSAS 67211

SHEET
57
OF
202