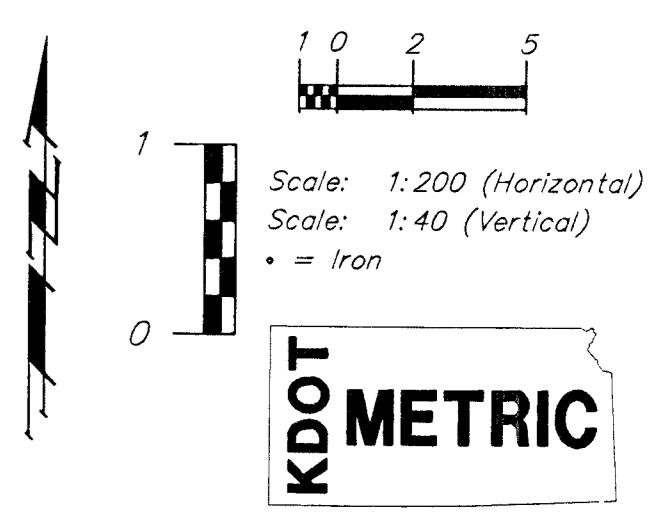
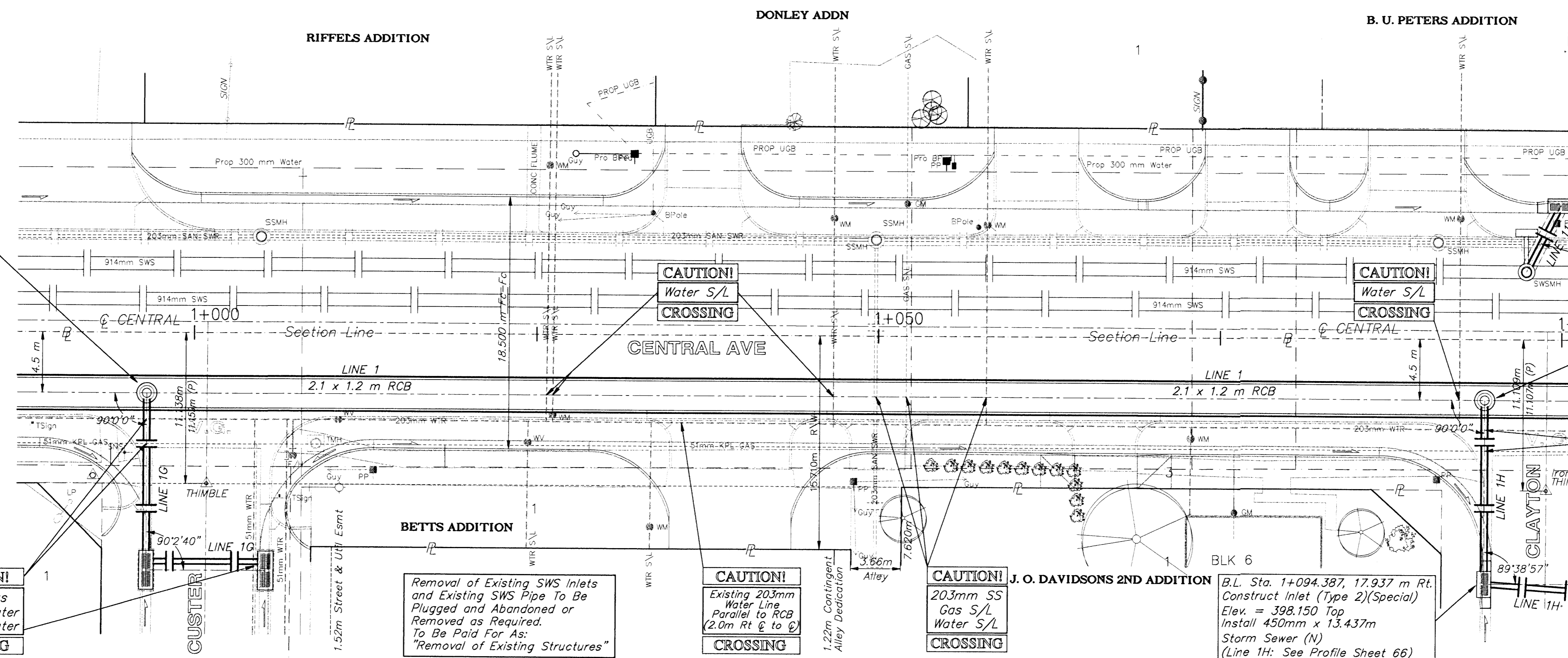


**BENCHMARKS**

BM #6 - "□" Top of Curb @ 31.09m South and 4.72m West of the Centerline of both Custer and Central.  
Elev. = 398.607 SI Units (1307.75 MSL Datum)

FHWA REGION NO.	STATE	PROJECT NO.	FISCAL YEAR	SHEET NO.	TOTAL SHEETS
7	KANSAS	87N-0094-01	1998	58	202



Sta. 0+669.129, Line 1 =  
Sta. 0+000, Line 1G =  
B.L. Sta. 0+996.544, 4.5 m Rt.  
Match Point

**CAUTION!**  
203mm SS  
CROSSING

Sta. 0+766.972, Line 1 =  
Sta. 0+000, Line 1H =  
B.L. Sta. 1+094.387, 4.5 m Rt.  
Construct Manhole (Precast)  
MH Rim Elev. = 398.237  
Install 2.1m x 1.2m x 87.039m RCB (E)  
"Match Rim to Final Pvm't Lift"  
Match Point

**CAUTION!**  
51mm Gas  
203mm Water  
CROSSING

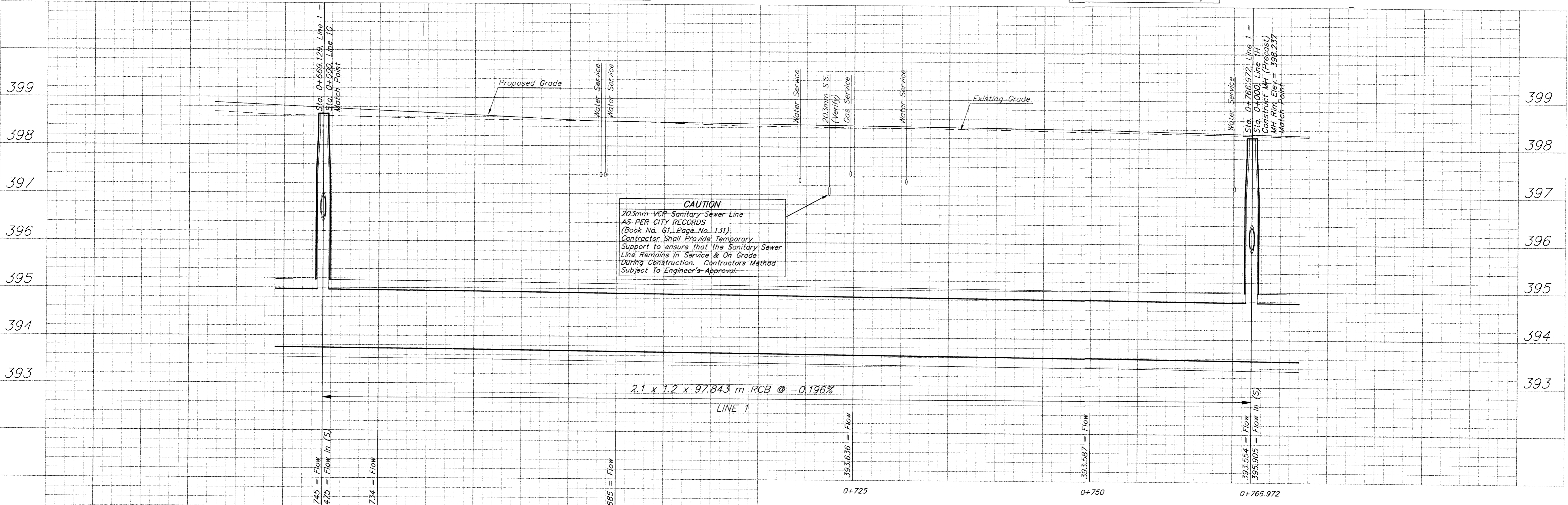
**CAUTION!**  
51mm Gas  
203mm Water  
305mm Water  
CROSSING

Removal of Existing SWS Inlets and Existing SWS Pipe To Be Plugged and Abandoned or Removed as Required.  
To Be Paid For As:  
"Removal of Existing Structures"

**CAUTION!**  
Existing 203mm Water Line Parallel to RCB (2.0m Rt @ to @)  
CROSSING

**CAUTION!**  
203mm SS  
Gas S/L  
Water S/L  
CROSSING

B.L. Sta. 1+094.387, 17.937 m Rt.  
Construct Inlet (Type 2)(Special)  
Elev. = 398.150 Top  
Install 450mm x 13.437m Storm Sewer (N)  
(Line 1H: See Profile Sheet 66)



**CAUTION**  
203mm VCP Sanitary Sewer Line AS PER CITY RECORDS (Book No. G1, Page No. 131). Contractor Shall Provide Temporary Support to ensure that the Sanitary Sewer Line Remains in Service & On Grade During Construction. Contractors Method Subject To Engineer's Approval.

DESIGN STAFF	DRAWN STAFF	APPROVED JFB	DATE NOV 98	SCALE NOTED
--------------	-------------	--------------	-------------	-------------

PROJECT NUMBER 472-82906  
RCB STORM SEWER - LINE 1  
B.L. Sta. 0+996.544 to B.L. Sta. 1+094.387  
CENTRAL AVENUE - PHASE I - WEST ST TO MCLEAN

**BAUGHMAN COMPANY P.A.**  
ENGINEERING, SURVEYING, & PLANNING  
318-262-7271 • 315 ELLIS • WICHITA, KANSAS 67211