

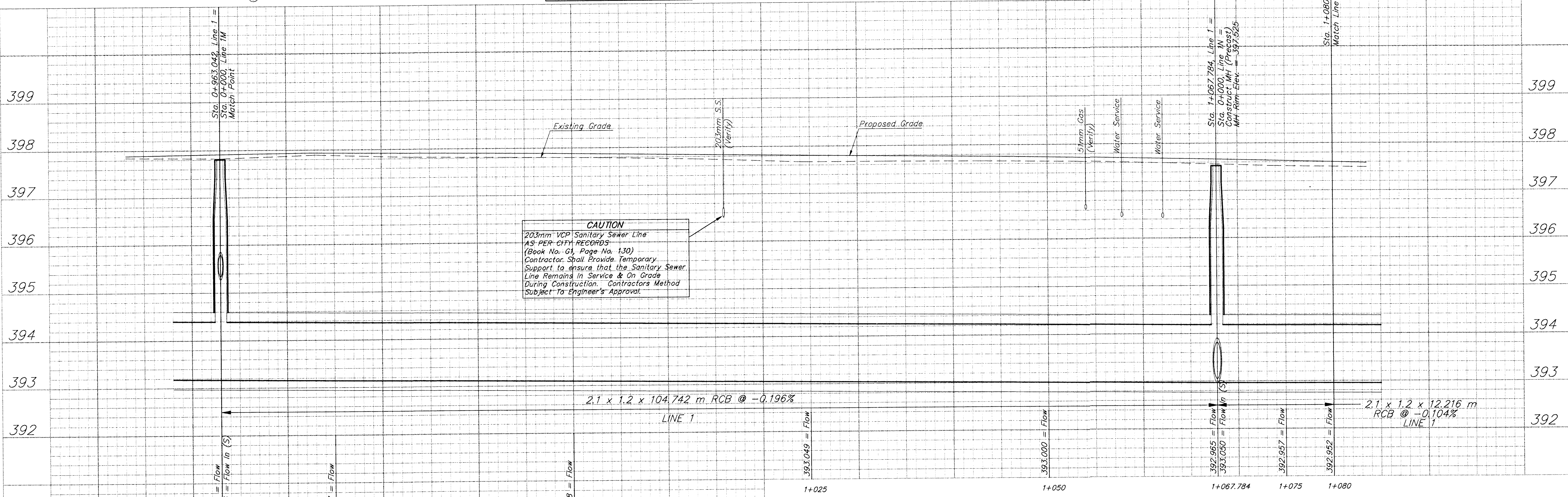
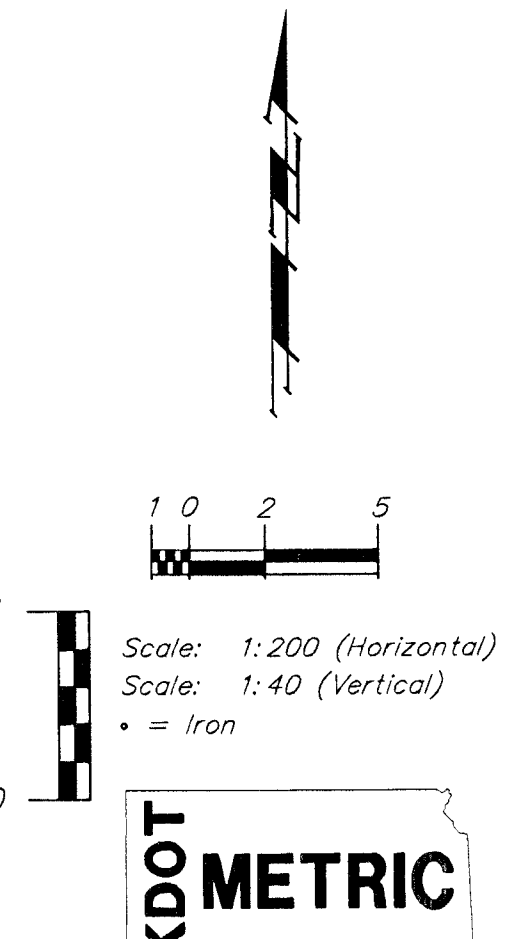
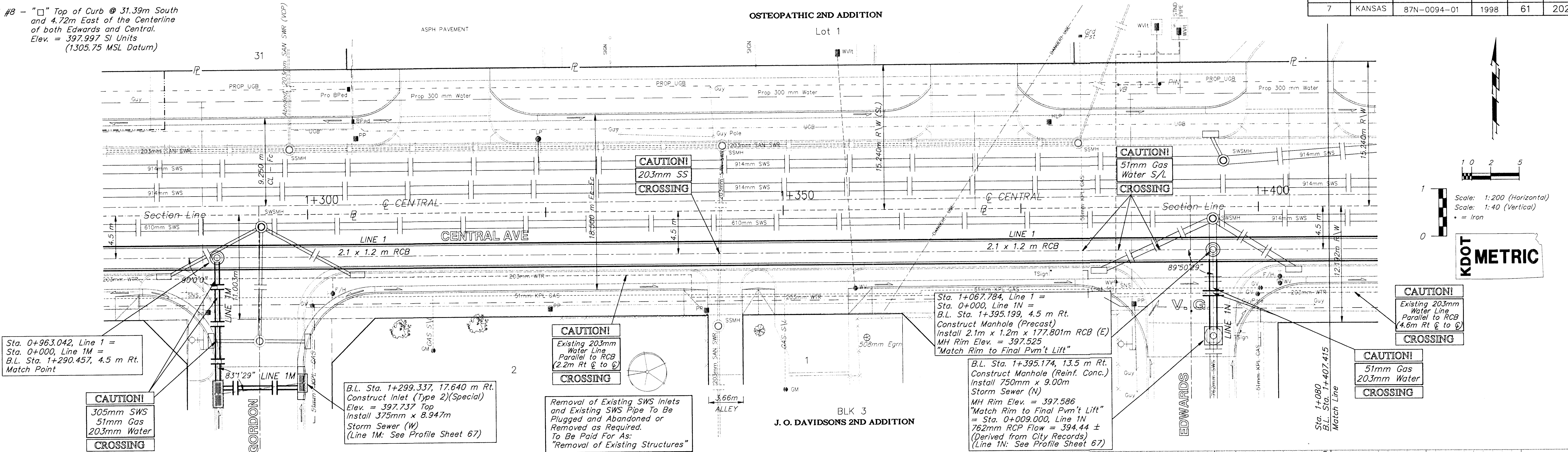
FHW REGION NO.	STATE	PROJECT NO.	FISCAL YEAR	SHEET NO.	TOTAL SHEETS
7	KANSAS	87N-0094-01	1998	61	202

BENCHMARKS

BM #8 - "□" Top of Curb @ 31.39m South and 4.72m East of the Centerline of both Edwards and Central. Elev. = 397.997 SI Units (1305.75 MSL Datum)

OSTEOPATHIC 2ND ADDITION

Lot 1



PROJECT NUMBER 472 - 82906				PROJ NUMBER 95-05-E026		RCSB STORM SEWER - LINE 1		SHEET 61 OF 202
DESIGN STAFF	DRAWN STAFF	APPROVED JFB	DATE NOV 98	SCALE NOTED	B.L. Sta. 1+290.457 to B.L. Sta. 1+407.415 CENTRAL AVENUE - PHASE 1 - WEST ST TO MCLEAN		BAUGHMAN COMPANY P. A. ENGINEERING, SURVEYING, & PLANNING 318-262-7271 • 315 ELLIS • WICHITA, KANSAS 67211	