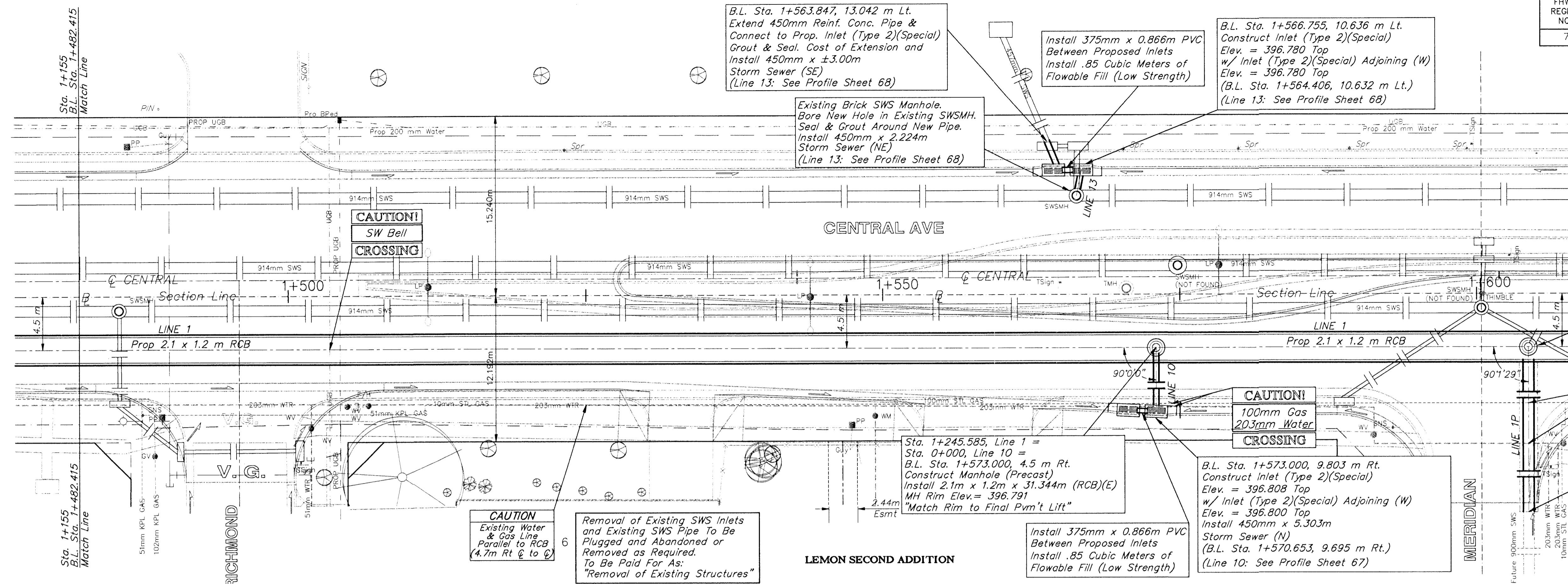
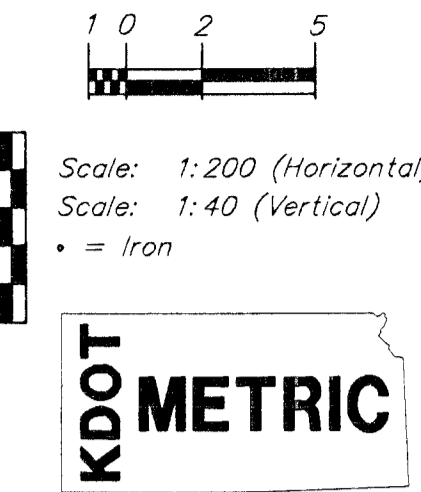


FHWA REGION NO.	STATE	PROJECT NO.	FISCAL YEAR	SHEET NO.	TOTAL SHEETS
7	KANSAS	87N-0094-01	1998	63	202

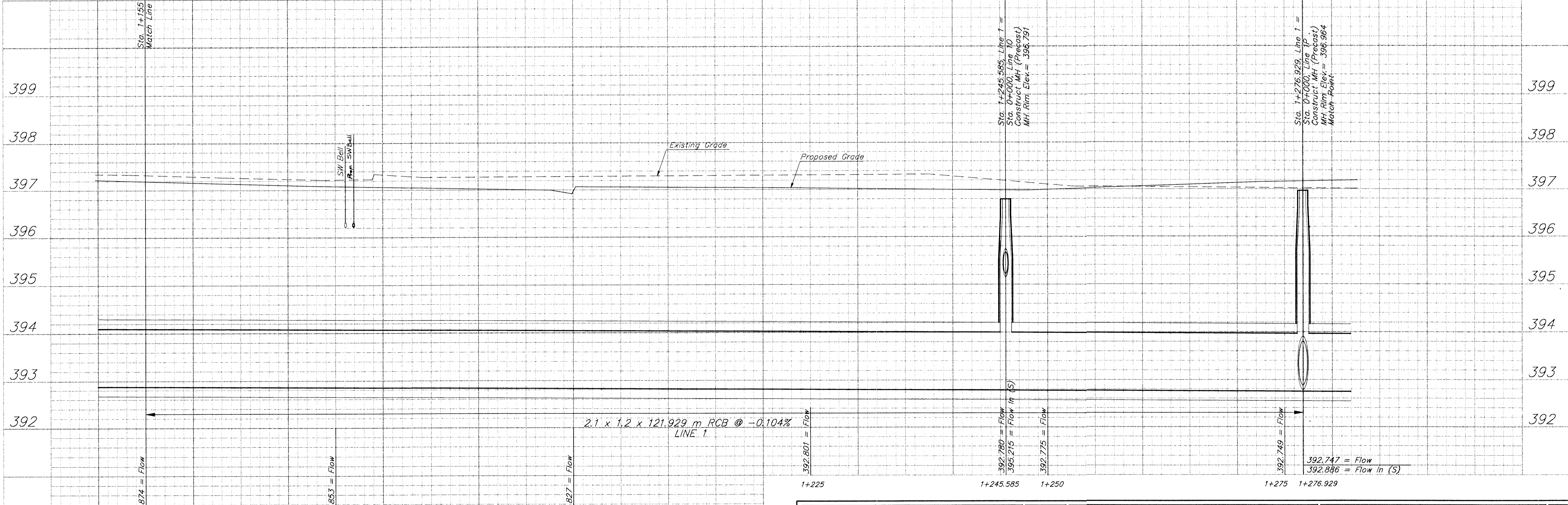


Sta. 1+276.929, Line 1 = Sta. 0+000, Line 1P = 4.5 m Rt. Construct Manhole (Precast) MH Rim Elev. = 396.964 "Match Rim to Final Pvm't Lift" Install 2.1m x 1.2m x 21.656 (RCB) (E) Match Point

**CAUTION!**  
100mm Gas  
203mm Water  
**CROSSING**

B.L. Sta. 1+604.350, 18.286 m Rt. Install 900mm x 1.3.786m (RCP)(N) Plug with Brick & Mortar (See Plug Detail Sheet No. 40) Cost of Plug to be **SUBSIDIARY** to Bid Item "Storm Sewer (900mm) (RCP)." (Line 1P: See Profile Sheet 67)

**BENCHMARKS**  
BM #9 - City Disc Located @ 12.89m South and 10.91m West of the Centerline of both Meridian and Central. Elev. = 397.376 SI Units (1303.71 MSL Datum)



PROJECT NUMBER <b>472-02908</b>		PROJ NUMBER 95-05-E028		RCB STORM SEWER - LINE 1		<b>BAUGHMAN COMPANY P.A.</b> ENGINEERING, SURVEYING, & PLANNING 316-282-7271 • 315 ELLIS • WICHITA, KANSAS 67211	SHEET <b>63</b> 202
DESIGN STAFF	DRAWN STAFF	APPROVED JFB	DATE NOV 98	SCALE NOTED	<b>B.L. Sta. 1+482.415 to B.L. Sta. 1+604.344</b> CENTRAL AVENUE - PHASE 1 - WEST ST TO MCLEAN		