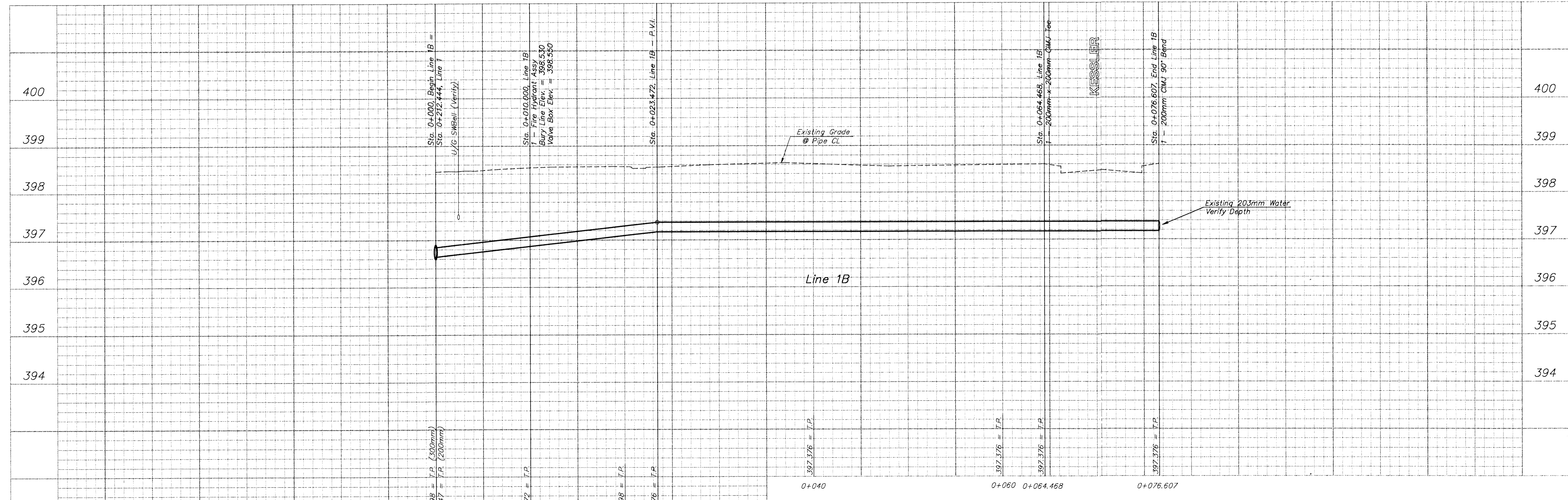
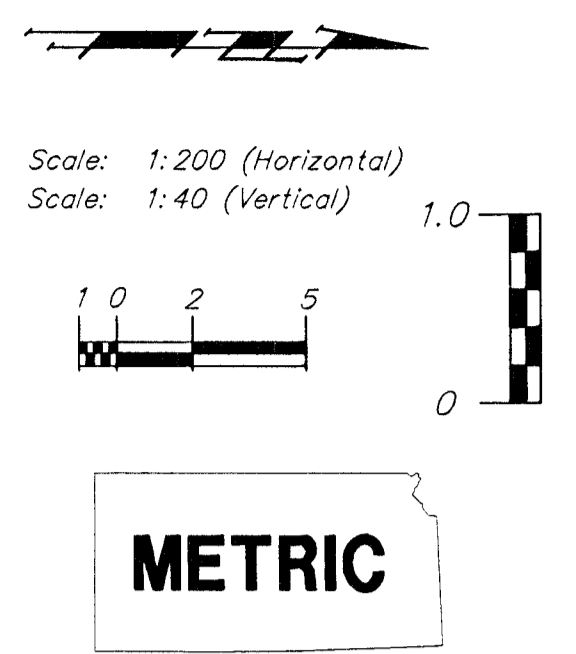
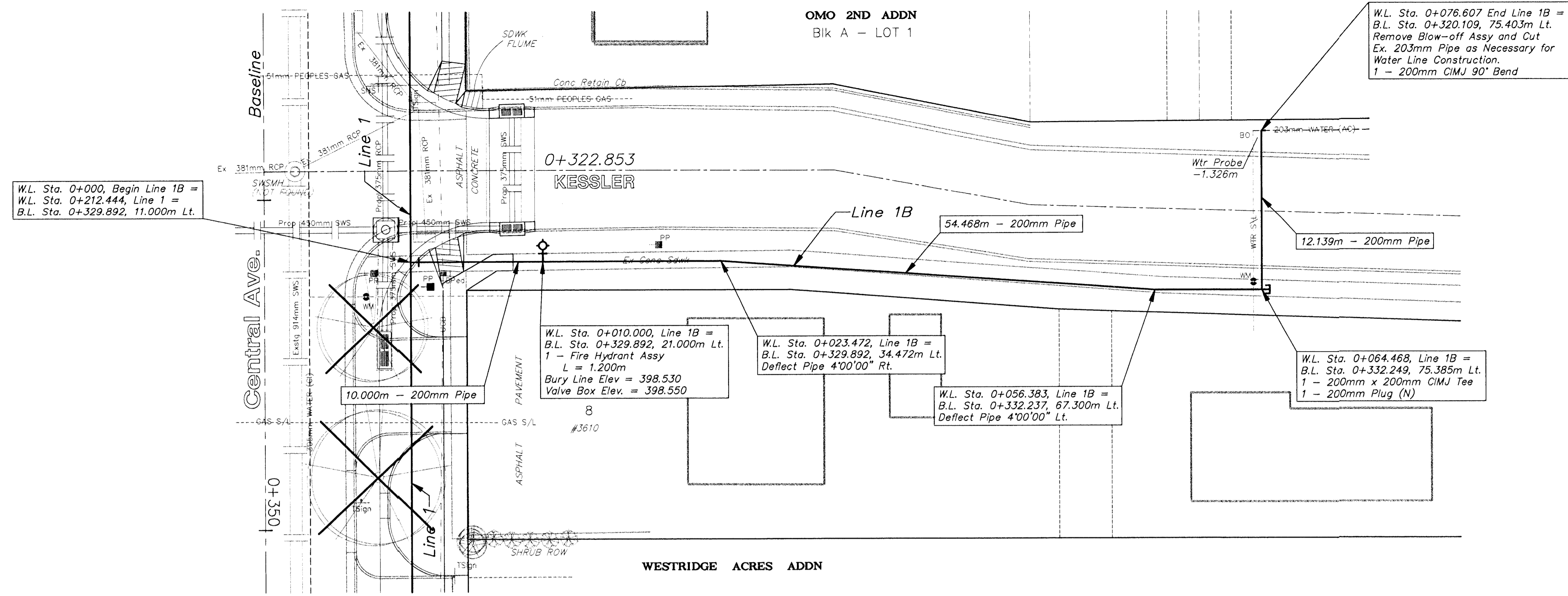


FHWA REGION NO.	STATE	PROJECT NO.	FISCAL YEAR	SHEET NO.	TOTAL SHEETS
7	KANSAS		1998	109	202



PROJECT NUMBER 448 - 88918				PROJ. NUMBER 97-12-EG32	
DESIGN JFB	DRAWN STAFF	APPROVED JFB	DATE NOV 98	SCALE NOTED	SHEET NAME inf
WATER LINE IMPROVEMENTS LINE 1B			CENTRAL AVENUE - WEST ST TO MCLEAN		

BAUGHMAN COMPANY P. A.
ENGINEERING, SURVEYING, & PLANNING
318-282-7271 • 315 ELLIS • WICHITA, KANSAS 67211

SHEET **109** OF **202**