

Water Meter Adjustments

B.L. Station	Ex. Offset	New Off.	Status	REMARKS
+186.9	9.7m Rt.		ABND.	
+215.6	8.0m Rt.		ABND.	
+282.0	11.5m Lt.	12.4m Lt.	ACTIVE	
+308.6	7.5m Lt.	12.1m Lt.	ACTIVE	
+314.0	74.8m Rt.	74.8m Rt.	ACTIVE	
+332.4	7.7m Lt.	11.8m Lt.	ACTIVE	
+365.7	8.2m Lt.	12.3m Lt.	ACTIVE	
+379.5	8.1m Lt.	12.0m Lt.	ACTIVE	
+401.4	11.9m Rt.	12.3m Lt.	ACTIVE	
+450.5	8.3m Lt.	12.1m Lt.	ACTIVE	
+480.9	9.6m Lt.	12.3m Lt.	ACTIVE	
+481.7	9.6m Lt.	12.3m Lt.	ACTIVE	
+482.5	9.6m Lt.	12.3m Lt.	ACTIVE	
+482.7		17.3m Rt.		NEW METER
+510.2	8.0m Rt.	12.0m Lt.	ACTIVE	
+560.3	7.7m Lt.	12.3m Lt.	ACTIVE	
+560.8	7.8m Lt.	12.3m Lt.	ACTIVE	
+560.8	8.0m Rt.	11.4m Rt.	ACTIVE	
+577.6	7.8m Rt.	11.6m Rt.	ACTIVE	
+589.3	7.8m Rt.		ABND.	
+615.2	7.7m Lt.	12.4m Lt.	ACTIVE	
+628.1	14.0m Rt.	11.4m Rt.	ACTIVE	
+655.1	14.1m Rt.	11.8m Rt.	ACTIVE	
+680.5	13.9m Rt.	11.9m Rt.	ACTIVE	

Water Meter Adjustments

B.L. Station	Ex. Offset	New Off.	Status	REMARKS
+695.1	7.9m Lt.	12.4m Lt.	ACTIVE	
+702.9	7.3m Rt.	11.3m Rt.	ACTIVE	
+730.9	7.3m Lt.	11.3m Lt.	ACTIVE	
+731.4	7.4m Lt.	11.3m Lt.	ACTIVE	
+739.6	7.6m Rt.	11.6m Rt.	ACTIVE	
+766.7	7.7m Rt.	11.5m Rt.	ACTIVE	
+772.7	7.1m Lt.	11.2m Rt.	ACTIVE	
+854.9	7.5m Rt.	10.0m Rt.	ACTIVE	
+855.8	7.5m Rt.	10.0m Rt.	ACTIVE	
+967.4	7.4m Rt.	10.6m Rt.	ACTIVE	
1+024.4	8.0m Rt.	10.5m Rt.	ACTIVE	
1+025.9	12.3m Lt.	12.8m Lt.	ACTIVE	
1+046.7	8.6m Lt.	14.0m Lt.	ACTIVE	
1+057.9	8.1m Lt.	14.0m Lt.	ACTIVE	
1+072.9	7.4m Rt.	10.7m Rt.	ACTIVE	
1+092.6	8.8m Lt.	14.1m Lt.	ACTIVE	
1+107.9	8.9m Lt.	14.1m Lt.	ACTIVE	
1+128.9	8.1m Lt.	12.7m Lt.	ACTIVE	
1+133.4	7.2m Rt.	9.6m Rt.	ACTIVE	
1+171.9	7.6m Rt.	9.7m Rt.	ACTIVE	
1+314.5	8.0m Rt.	9.4m Rt.	ACTIVE	
1+549.4	10.1m Rt.	10.6m Rt.	ACTIVE	
+444.3	6.7m Rt.	6.7m Rt.	ACTIVE	SHERIDAN B.L.
+461.3	6.0m Rt.	6.0m Rt.	ACTIVE	SHERIDAN B.L.

Water System Quantities (*)

BILL OF MATERIALS	Approximate Quantities	Unit
W.L. Pipe 50mm	33	m
W.L. Pipe 150mm	27	m
W.L. Pipe 200mm	603	m
W.L. Pipe 300mm	1464	m
DICL SJ Pipe 150mm	4	m
DICL SJ Pipe 200mm	15	m
DICL SJ Pipe 300mm	9	m
Anchored Valve Assembly 200mm	1	EA.
Anchored Valve Assembly 300mm	1	EA.
Valve Assembly 200mm	19	EA.
Valve Assembly 300mm	8	EA.
50mm Service Outlet Assy (w/ Gate Valve)	8	EA.
Casing Bored & Jacked (600mm ID min.), Steel	20	m
RC Encasement (200mm)	49	m
Fire Hydrant Assembly	15	EA.
Fire Hydrant Removal	14	EA.
Air Release Valve Assembly	1	EA.
Site Clearing & Restoration **	1	L.S.
Anchored Coupling Assy.	1	EA. ***
Relocate & Re-install Water Service ****	45	EA.

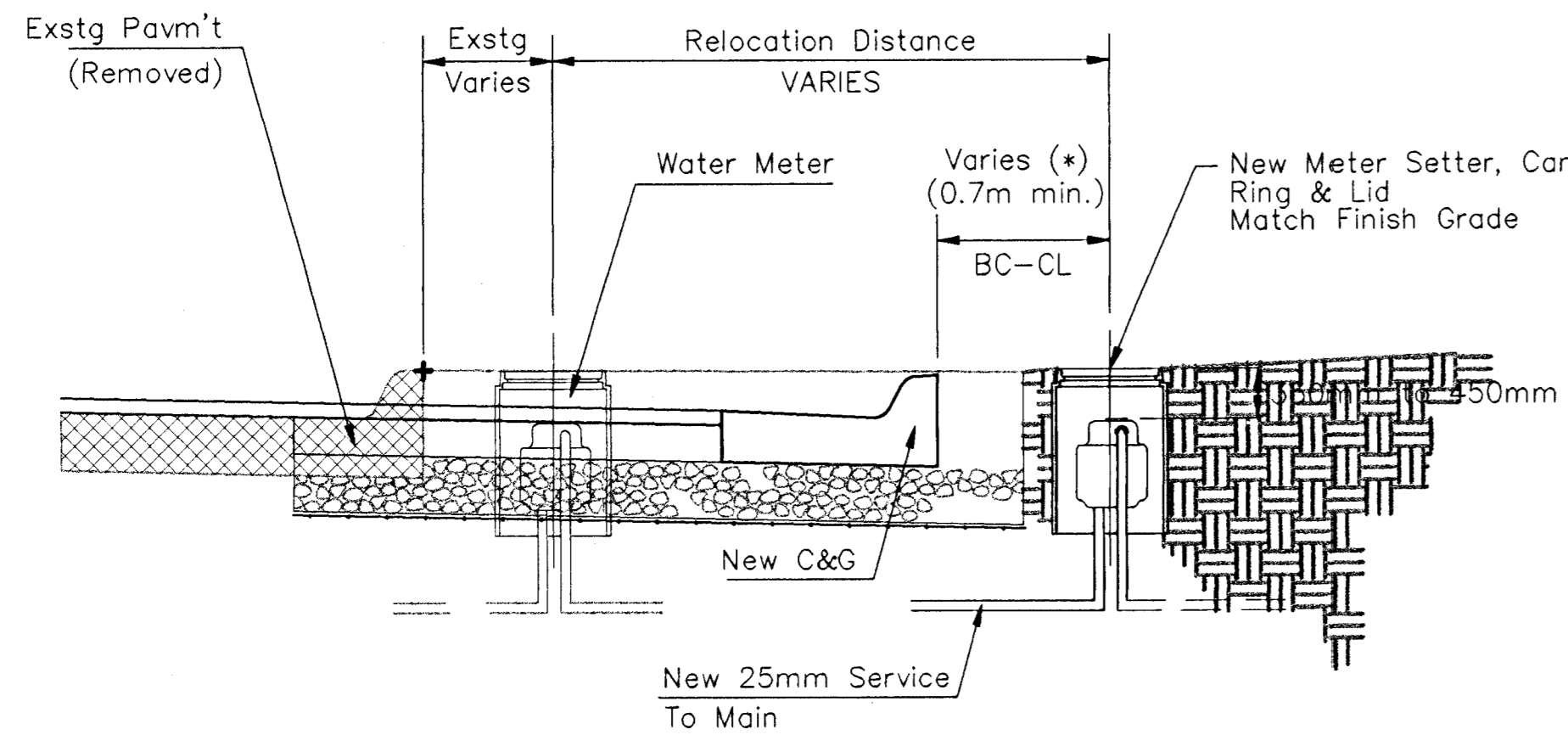
Sanitary Sewer System Quantities

BILL OF MATERIALS	Approximate Quantities	Unit
Manhole, Removed (*)	3	EA.
Manhole, Shallow Type B	3	EA.
RC Encasement (200mm) (*)	12	m
SS Pipe PVC 200mm	59.1	m
SS Pipe Removed 0mm-500mm (*)	60	m

- * (For Information Only)
- ** Shall Include All Site Clearing & Restoration Costs Associated with Water System and Sanitary Sewer System.
- *** Each Regardless of Size. (To Be Used in Locations Where Conventional Thrust Blocking Not Applicable)
- **** Number of Active & New Services Measured at Time of Design.

Recapitulation of Quantities (100% Non-Participating)

Bid Item	Approximate Quantities	Unit
Water System	1	L.S.
Manhole (Sanitary Sewer) (TYPE B)	3	EA.
200mm Sanitary Sewer (PVCP)	59.1	m



Typical Water Meter Installation Detail

(*) Relocation of all water meters in conflict with construction of this project will be accomplished in conjunction with construction. Location of meter(s) will be typically set at least 0.7m from the back of new curbline to the centerline of meter box unless otherwise as directed by the Field Engineer.

The top of the meter box to be field set typically to match finish grade elevations unless otherwise as directed by the Field Engineer.

Replace corp. stop, service line, meter setter, can, ring & lid. Existing 3/4" Copper Setter may be reinstalled upon Engineer's Approval or replaced with 1" Copper Setter. All work and materials required is to be subsidiary to the bid item "Water System".

