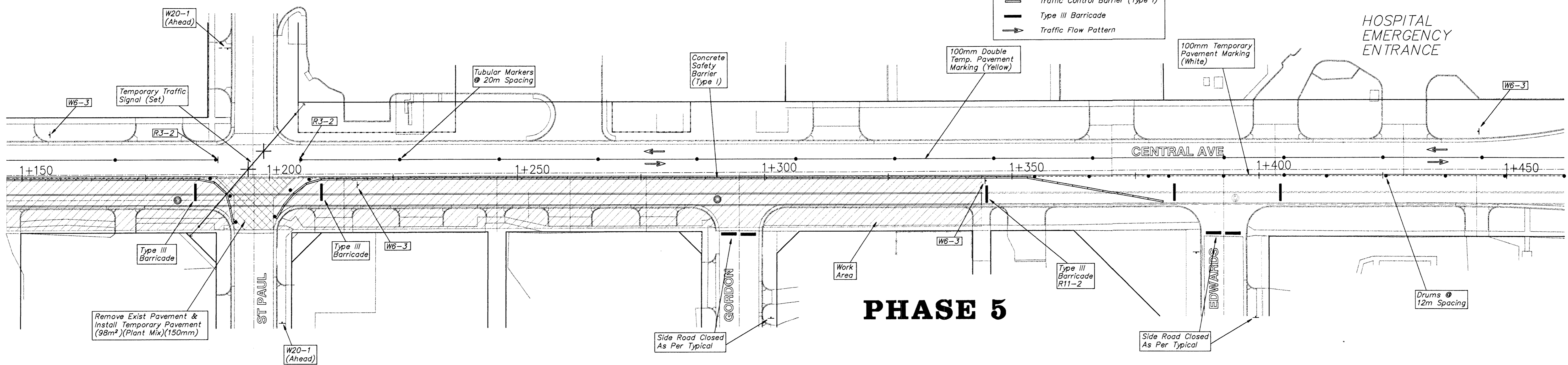
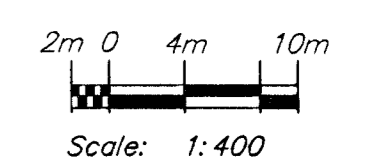
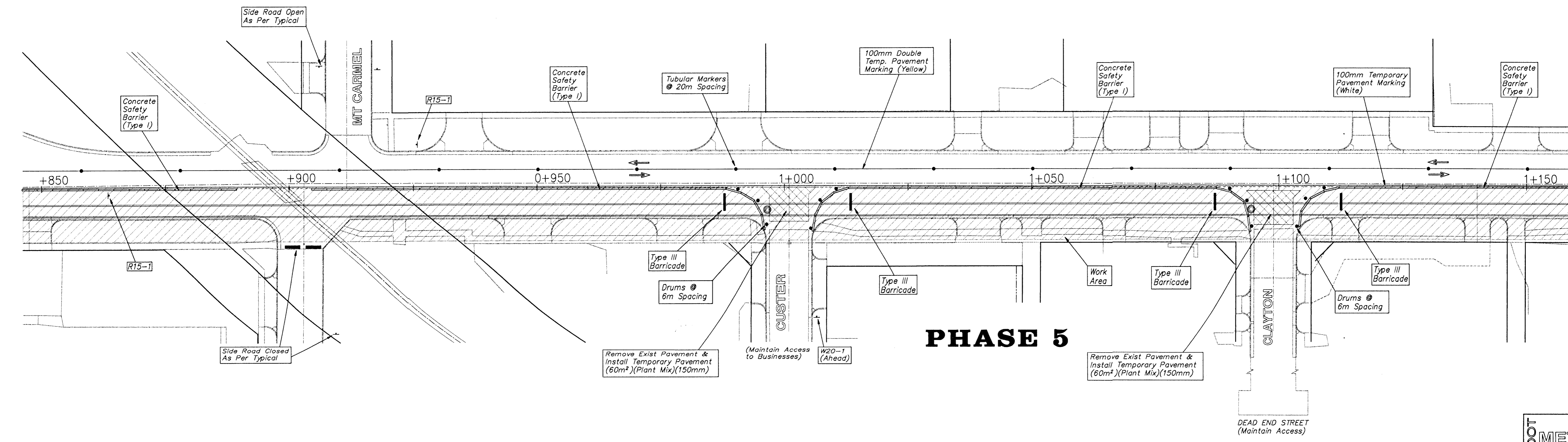


FHWA REGION NO.	STATE	PROJECT NO.	FISCAL YEAR	SHEET NO.	TOTAL SHEETS
7	KANSAS	87N-0094-01	1998	171	202

LEGEND	
	Work Area
	Median Removal w/ Temporary Pavement
	Temporary Pavement
	Drum or Tubular Marker
	Traffic Control Barrier (Type I)
	Type III Barricade
	Traffic Flow Pattern



PHASE 5



PHASE 5



PROJECT NUMBER 472-82906		DESIGN JFB		DRAWN AZIERE		APPROVED JFB		DATE NOV 98		SCALE NOTED	
------------------------------------	--	---------------	--	-----------------	--	-----------------	--	----------------	--	----------------	--

PROJECT NUMBER 95-05-E026	DIRECTOR CENTOIO	SHEET NAME CONSEQ5
------------------------------	---------------------	-----------------------

CENTRAL AVENUE
TRAFFIC CONTROL

BAUGHMAN COMPANY P. A.
ENGINEERING, SURVEYING, & PLANNING
316-262-7271 • 315 ELLIS • WICHITA, KANSAS 67211

SHEET
171
OF
202