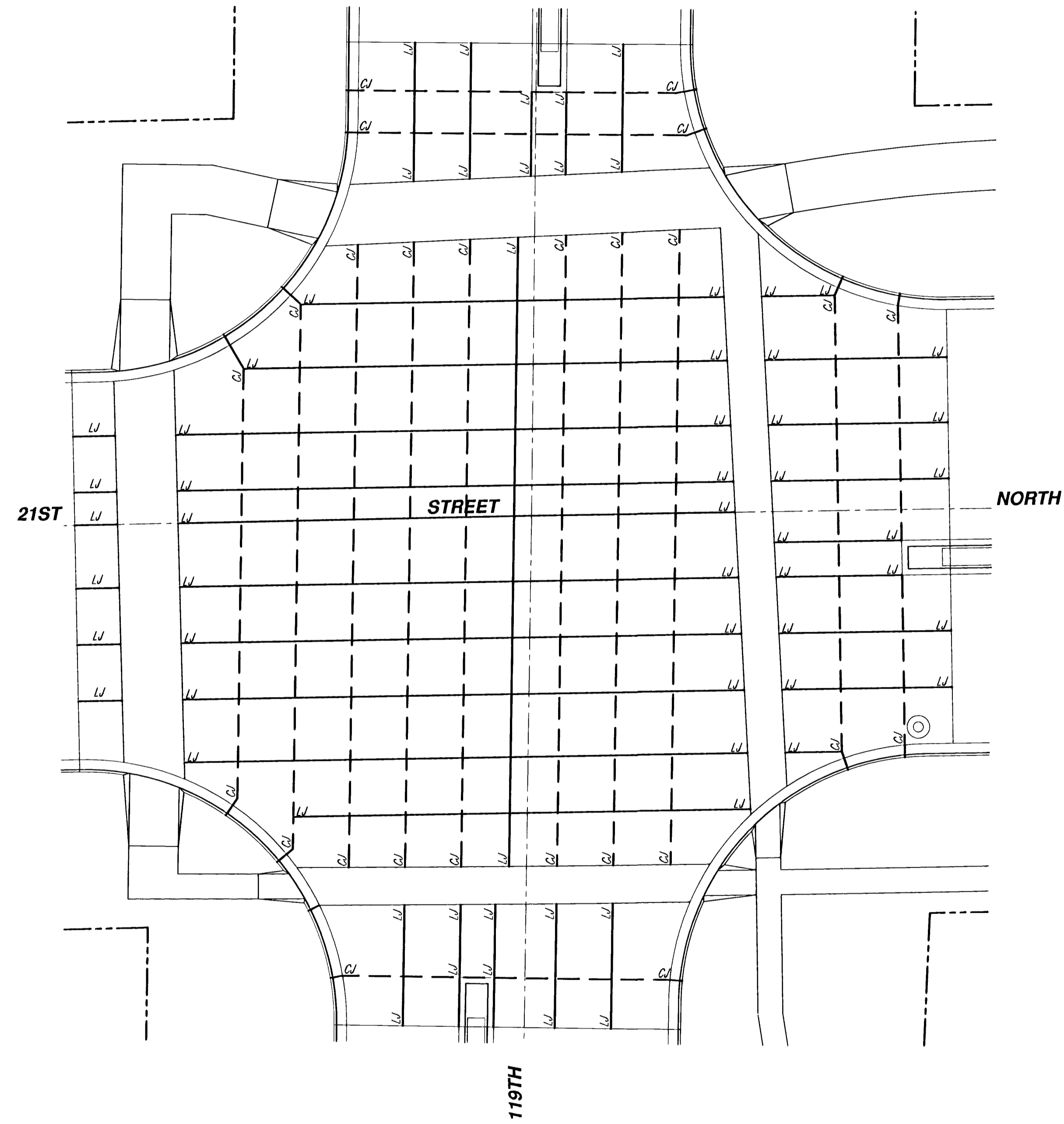
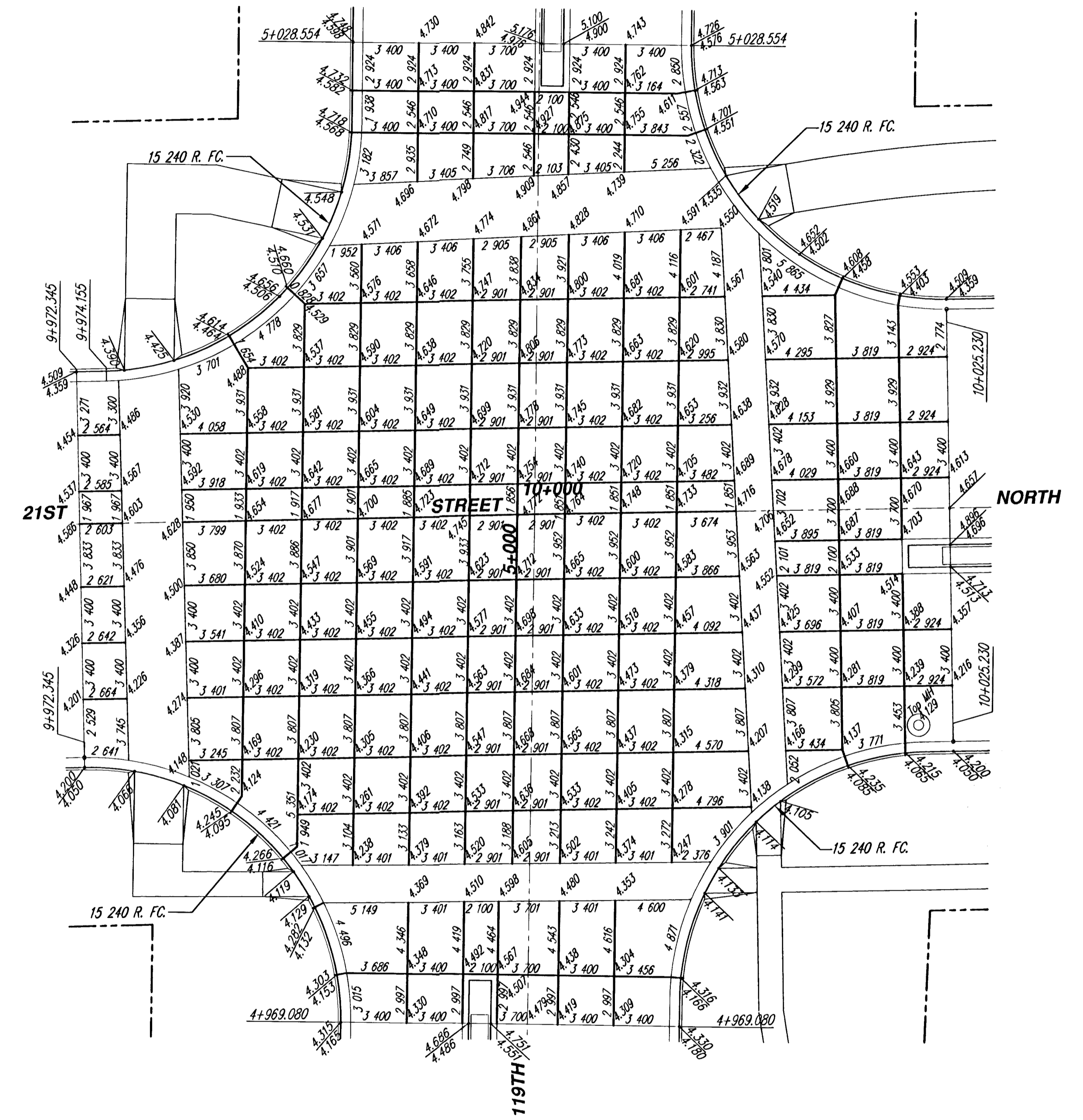


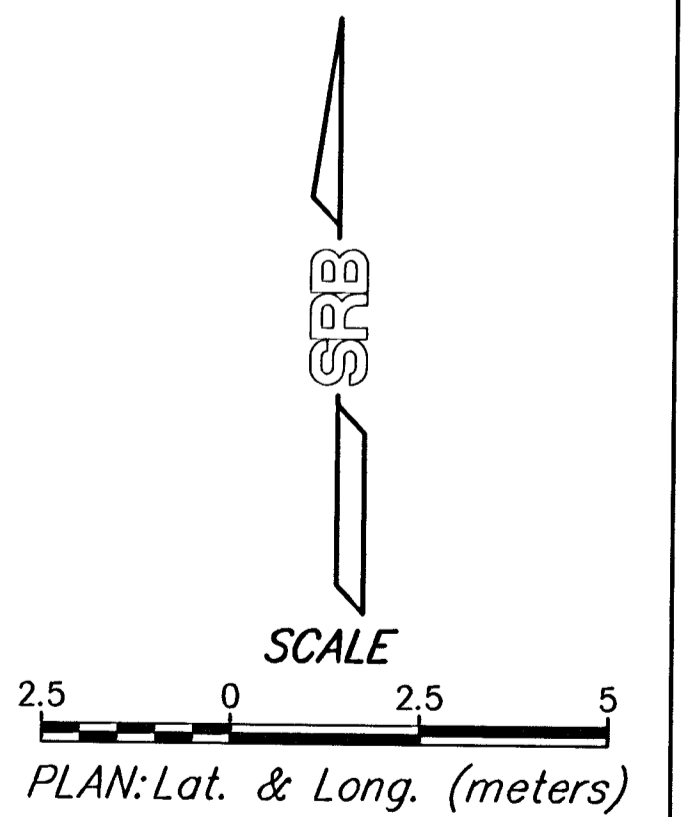
BY	DATE
REFERENCES NOTED	
REFERENCES CHECKED	



Longitudinal & Contraction Joint Layout
 See sheet 28 for Longitudinal (LJ) and Contraction (CJ) joint details



Intersection Grades



**21ST STREET NORTH
 119TH STREET W. TO MAIZE
 INTERSECTION JOINT PLANS**

SRB	924 NORTH MAIN WICHITA, KANSAS 67203 www.srb.com	316-264-8008 FAX 316-264-8211 E-Mail: srb@srb.com	REVISED
SAVOY, RUGGLES & BOHM, P.A. ENGINEERING & SURVEYING			22
PROJECT NUMBER 472-83138			105
DRAWN TEB	DESIGN MWS	REVIEW 	DATE June 4, 2001
UTILITY 		SRB JOB 1478T	