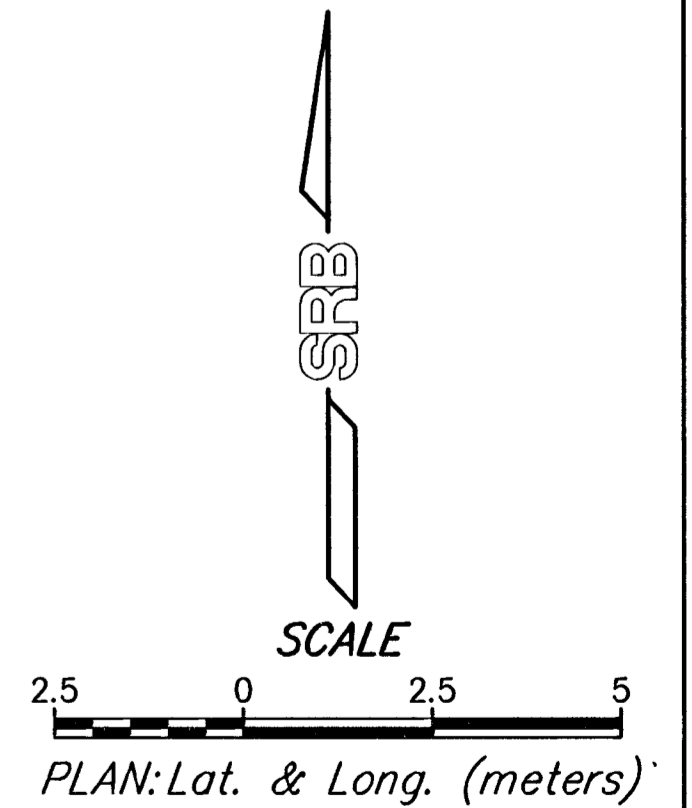
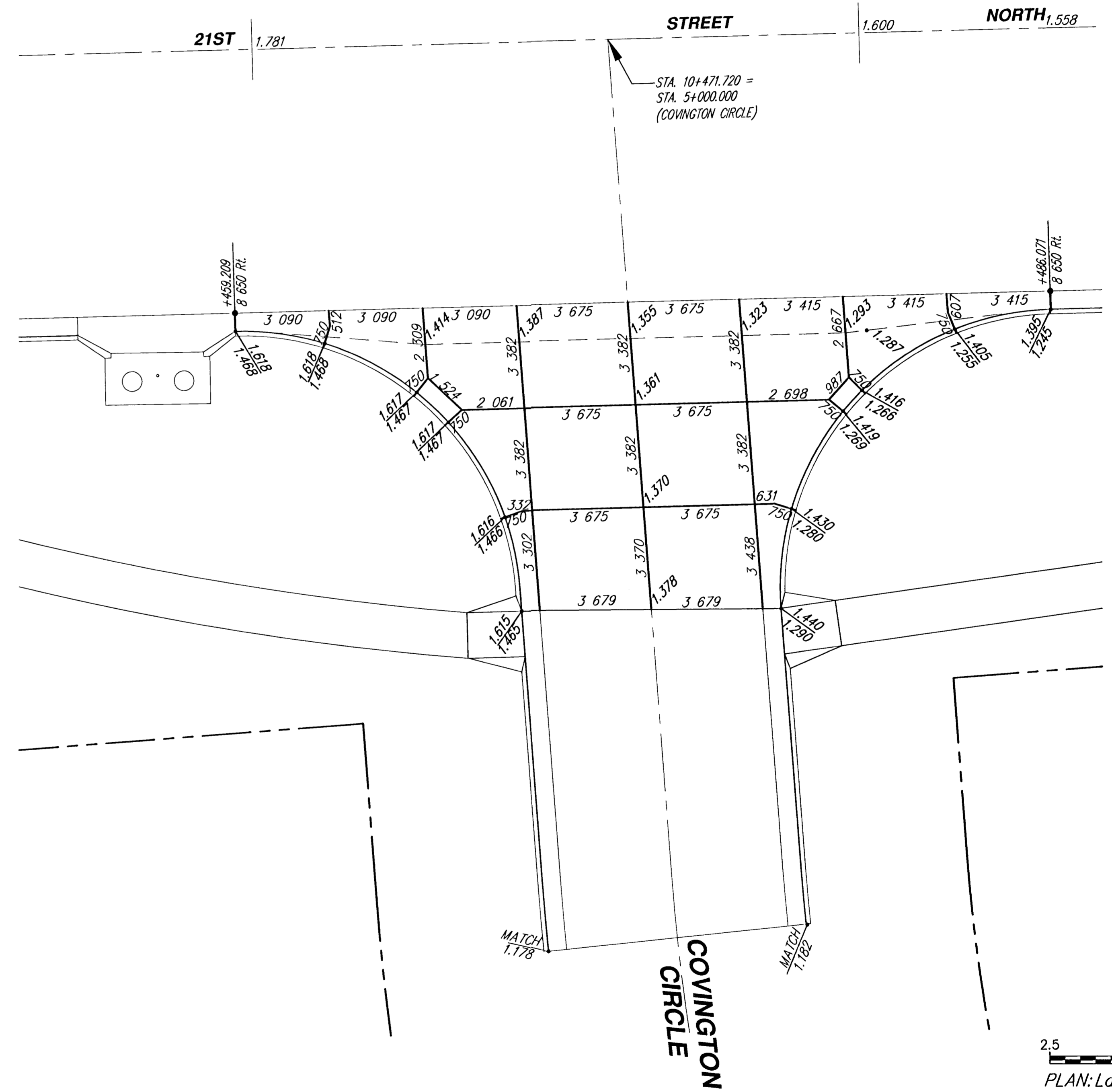
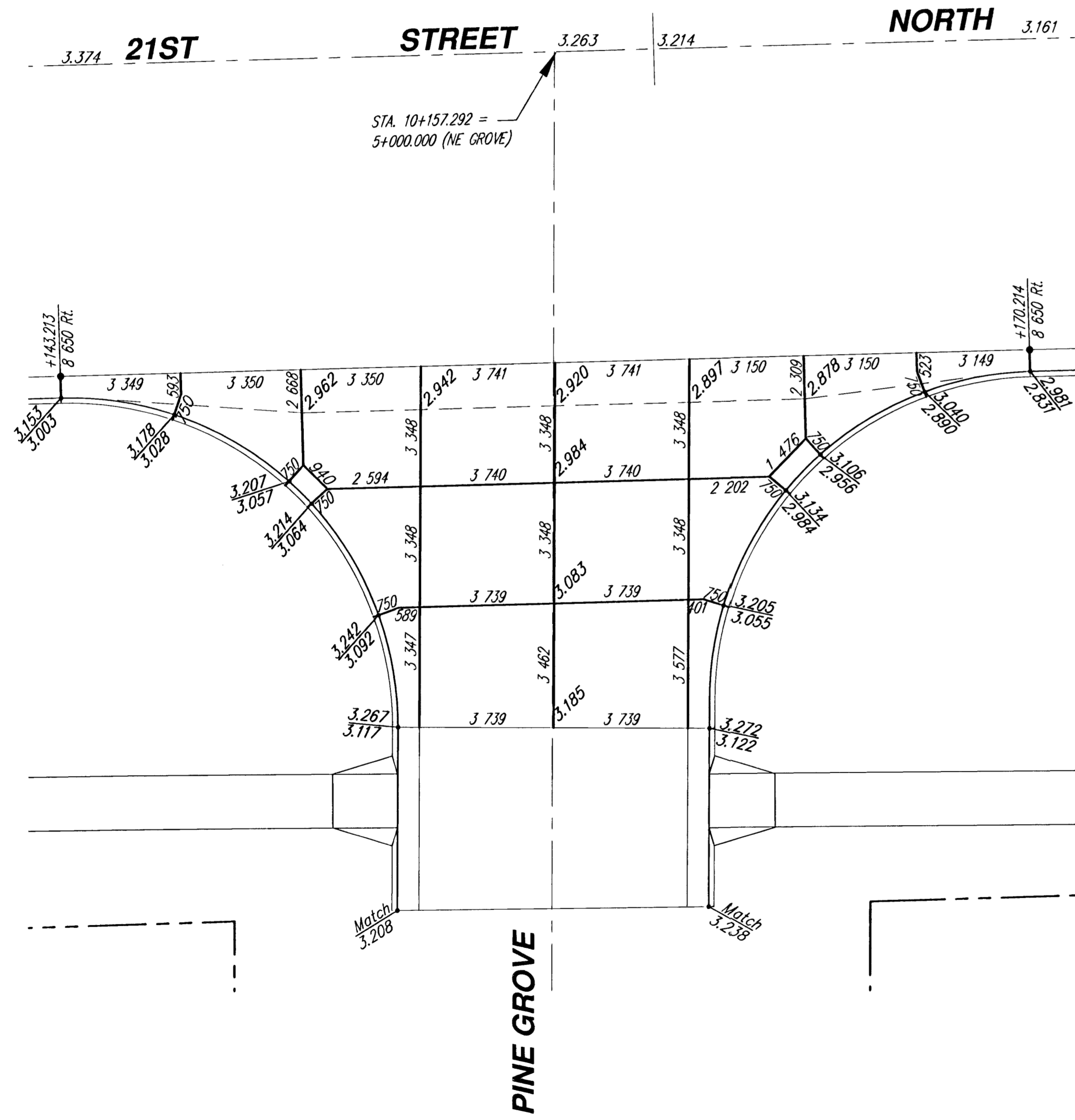


FHWA REGION NO.	STATE	PROJECT NUMBER	FISCAL YEAR	SHEET NUMBER	TOTAL SHEETS
7	KANSAS	87 N-0189-01	2001	23	105

BY	DATE
REFERENCES NOTED	
REFERENCES CHECKED	



**21ST STREET NORTH
119TH STREET W. TO MAIZE
INTERSECTION JOINT PLANS**

SRB		924 NORTH MAIN WICHITA, KANSAS 67203 www.srb.com	316-264-8008 FAX 316-442-4821 E-Mail: srb@srb.com
SAVOY, RUGGLES & BOHM, P.A. ENGINEERING & SURVEYING			
PROJECT NUMBER 472-83138			
DRAWN TEB	DESIGN MWS	DATE Apr. 12, 2001	UTILITY SRB JOB 1478T