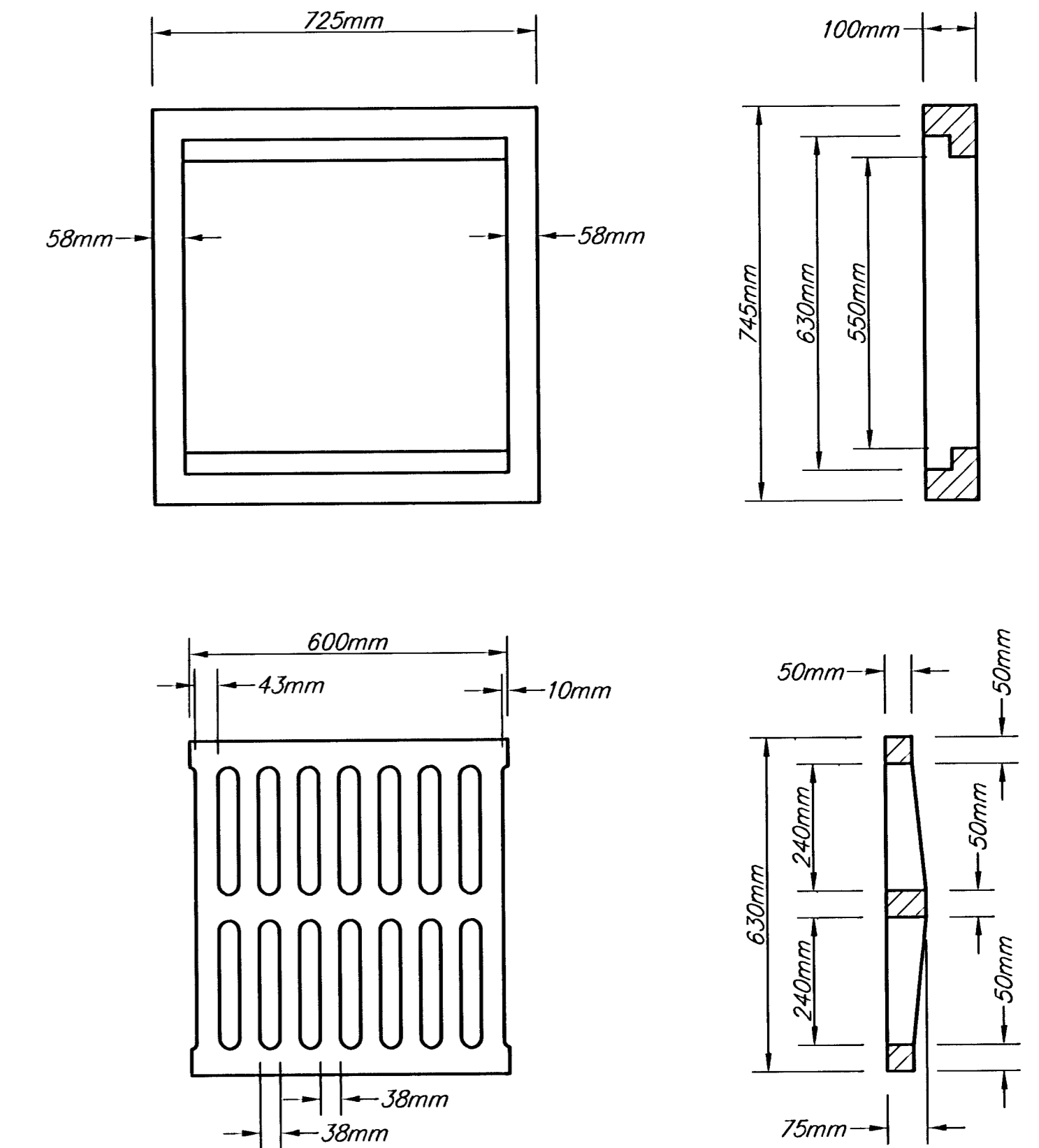
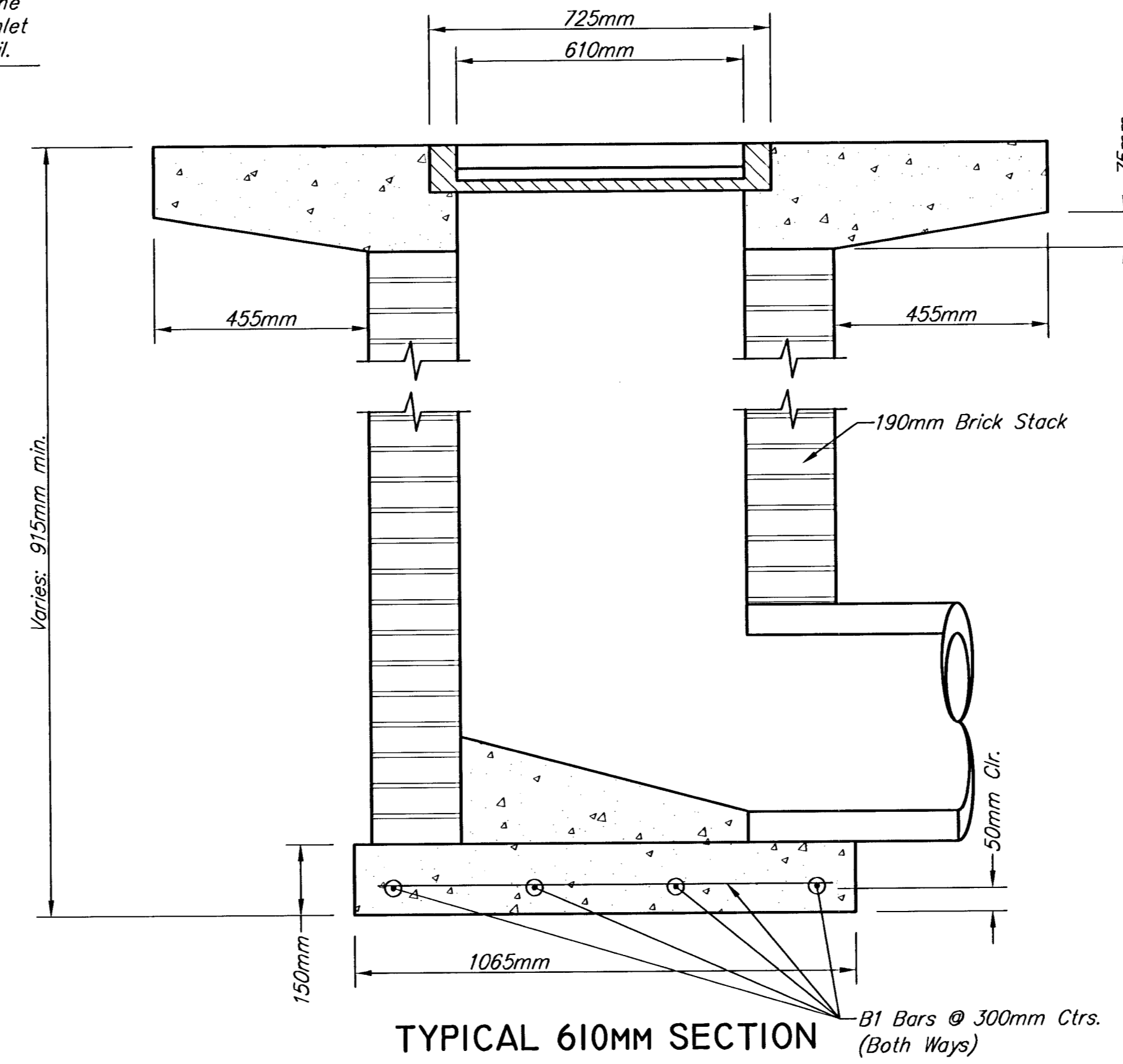
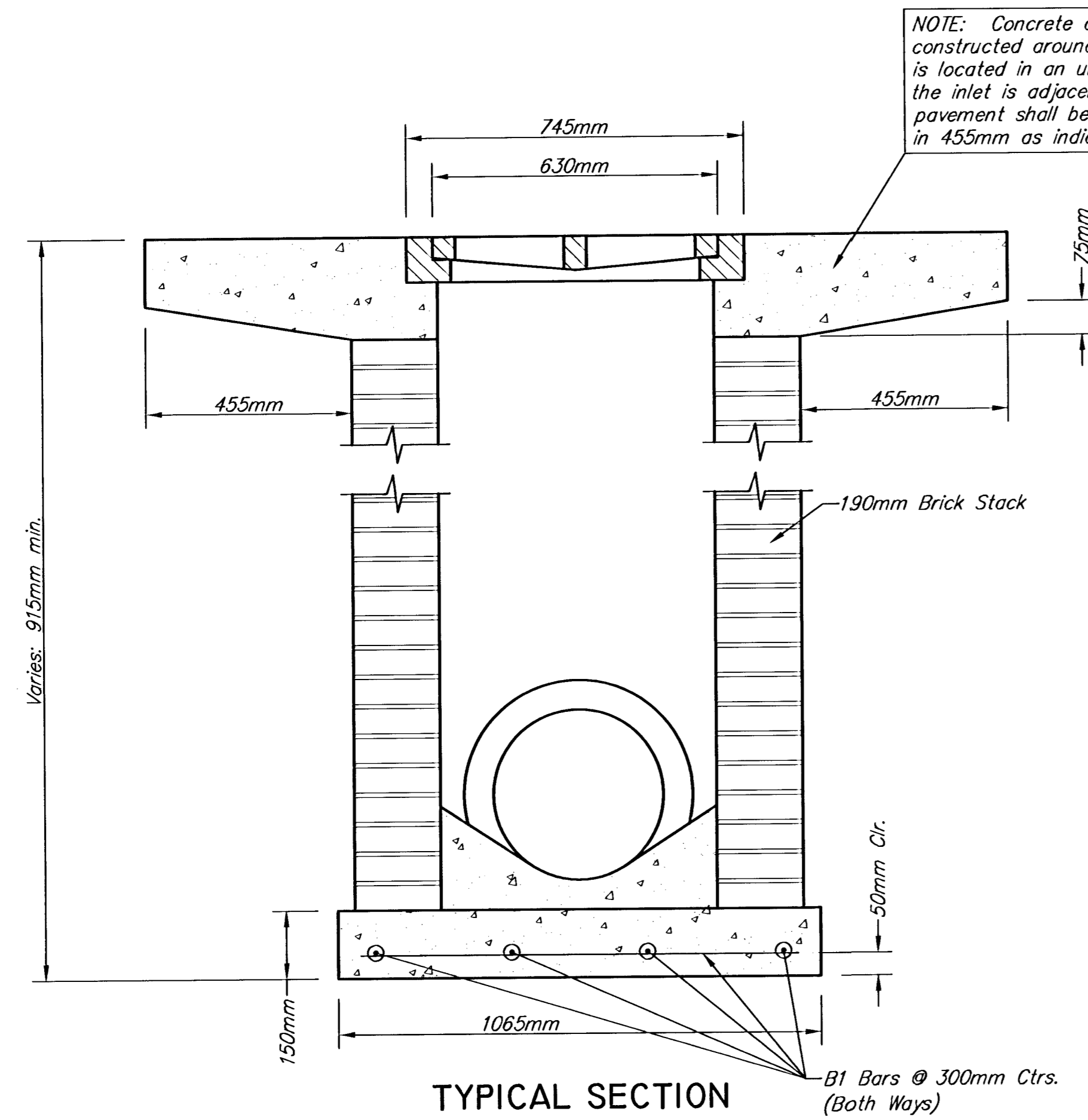


DATE	
BY	
REFERENCES NOTED	
REFERENCES CHECKED	

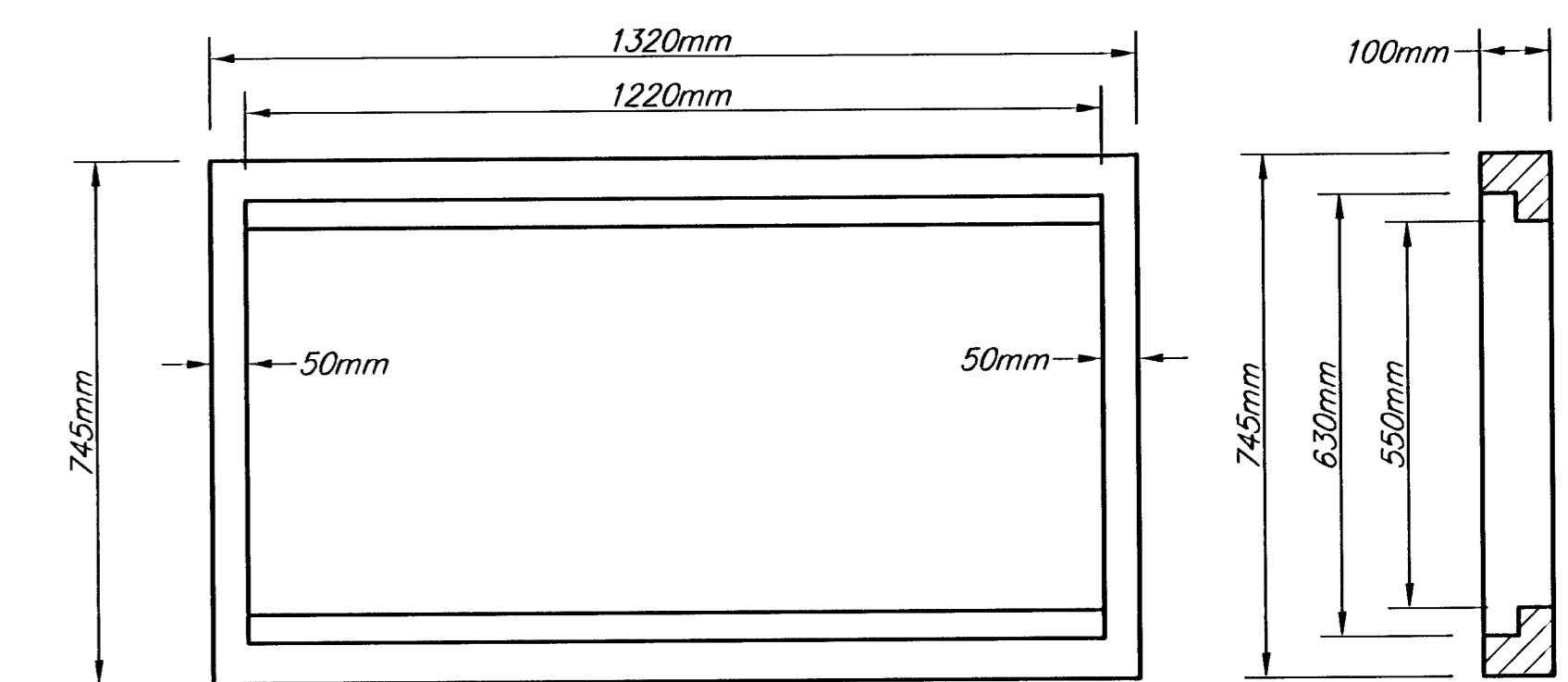
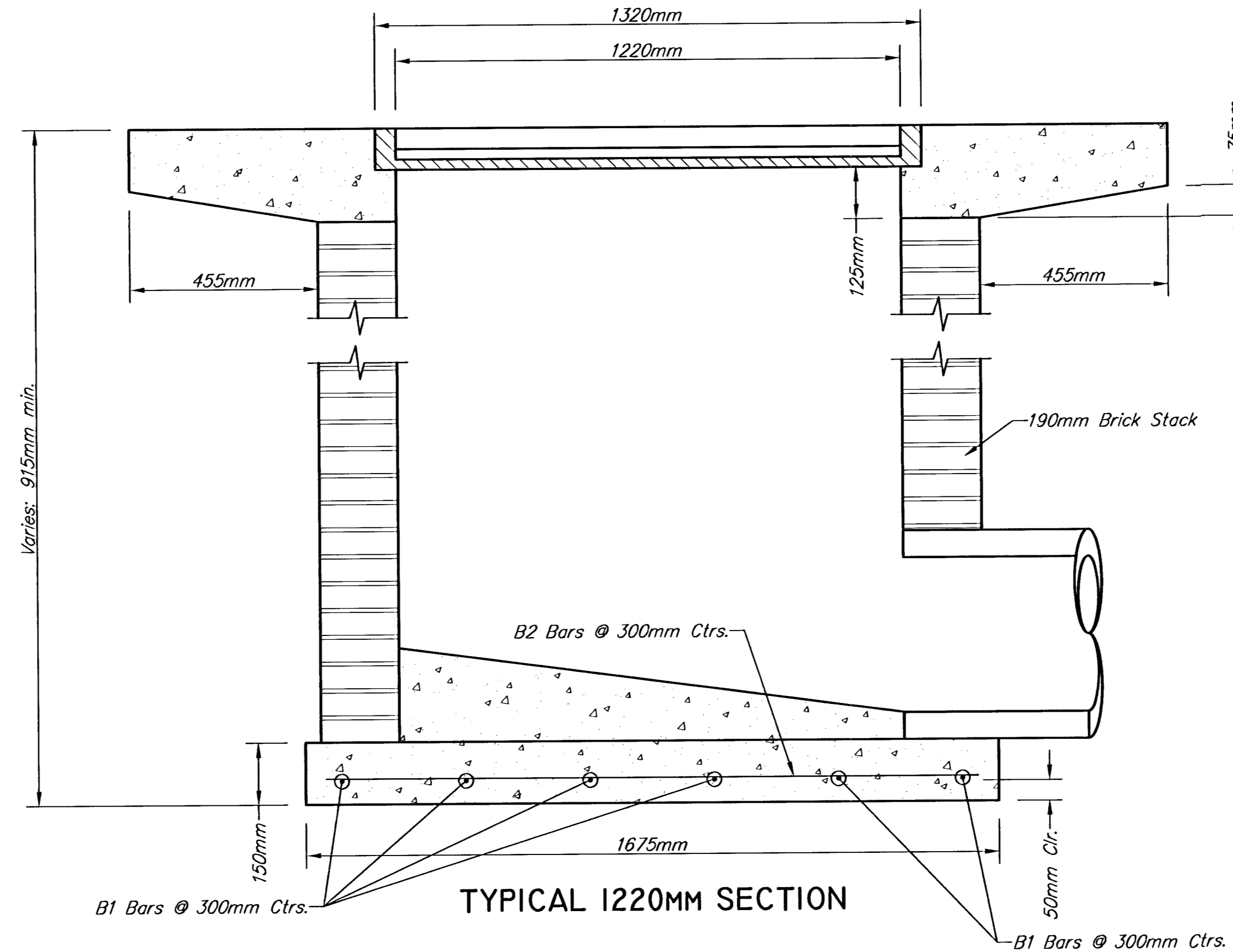


Width	Length	Concrete	Cast Steel	Reinforcing Steel
610mm	610mm	0.7714m ³	234 kg	7.674 kg
610mm	1220mm	1.0169m ³	399 kg	12.019 kg

Width	Length	Bricks	Excavation
610mm	610mm	493 bricks/x*	2.772 m ³ /m + 1.826m ³
610mm	1220mm	677 bricks/x*	3.788 m ³ /m + 2.093m ³

*x=Inlet Depth-(150mm+Pavement Thickness+75mm)

TYPICAL INLET QUANTITIES



1220MM X 610MM FRAME AND GRATE

21st STREET NORTH DROP INLETS DETAILS					
SRB 324 NORTH MAIN WICHITA KANSAS 67203 www.srb1.com	316-264-8008 FAX 264-4621 E-Mail: srb@srb1.com	REVISED	43		
		SAVOY, RUGGLES & BOHM, P.A. ENGINEERING & SURVEYING			
PROJECT NUMBER 472-83138					
DRWN TEB	DESIGN	REVIEW	DATE 02/02/2001	UTILITY	SRB JOB 1478T