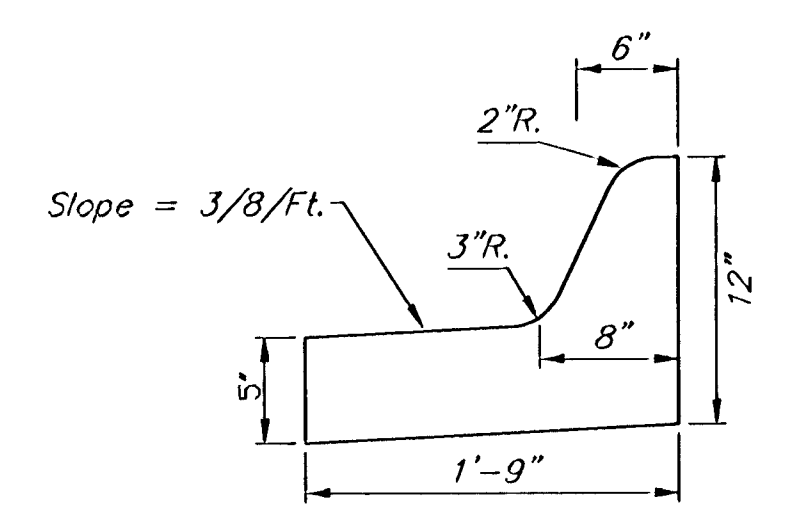


SHERIAC



Medial Curb Detail
(Low Edge)
Not to Scale

Note: To be paid as Medial Curb & Gutter (6 5/8")

SHADOW WOODS ADDITION				
ENTRANCE DETAILS				
BAUGHMAN COMPANY P.A. ENGINEERING, SURVEYING, & PLANNING <small>516-262-7271 • 315 ELLIS • WICHITA, KANSAS 67211</small>				
PROJECT NUMBER 472-83721				SHEET 6
DESIGN NBW	DRAWN TMS	APPROVED	DATE 05-28-03	SCALE None
				OF 37

03-01-E-498