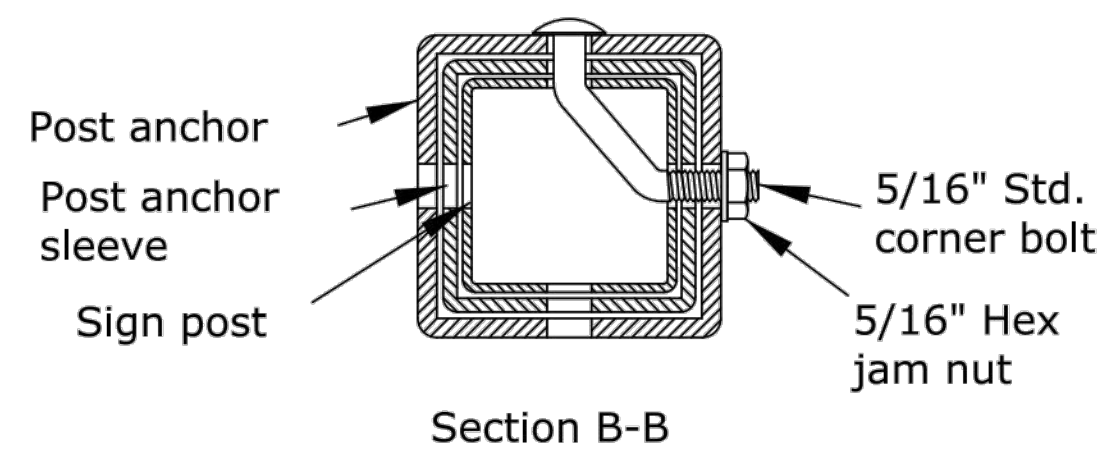
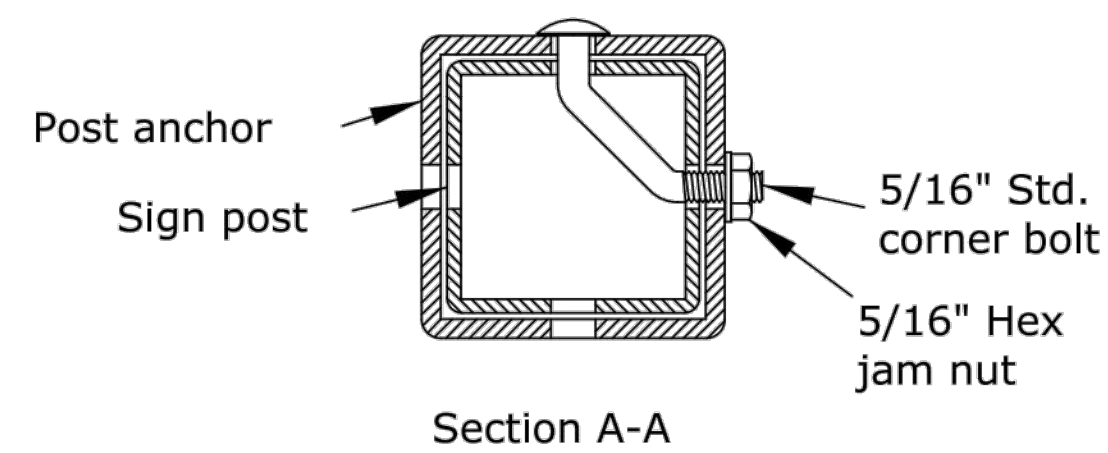
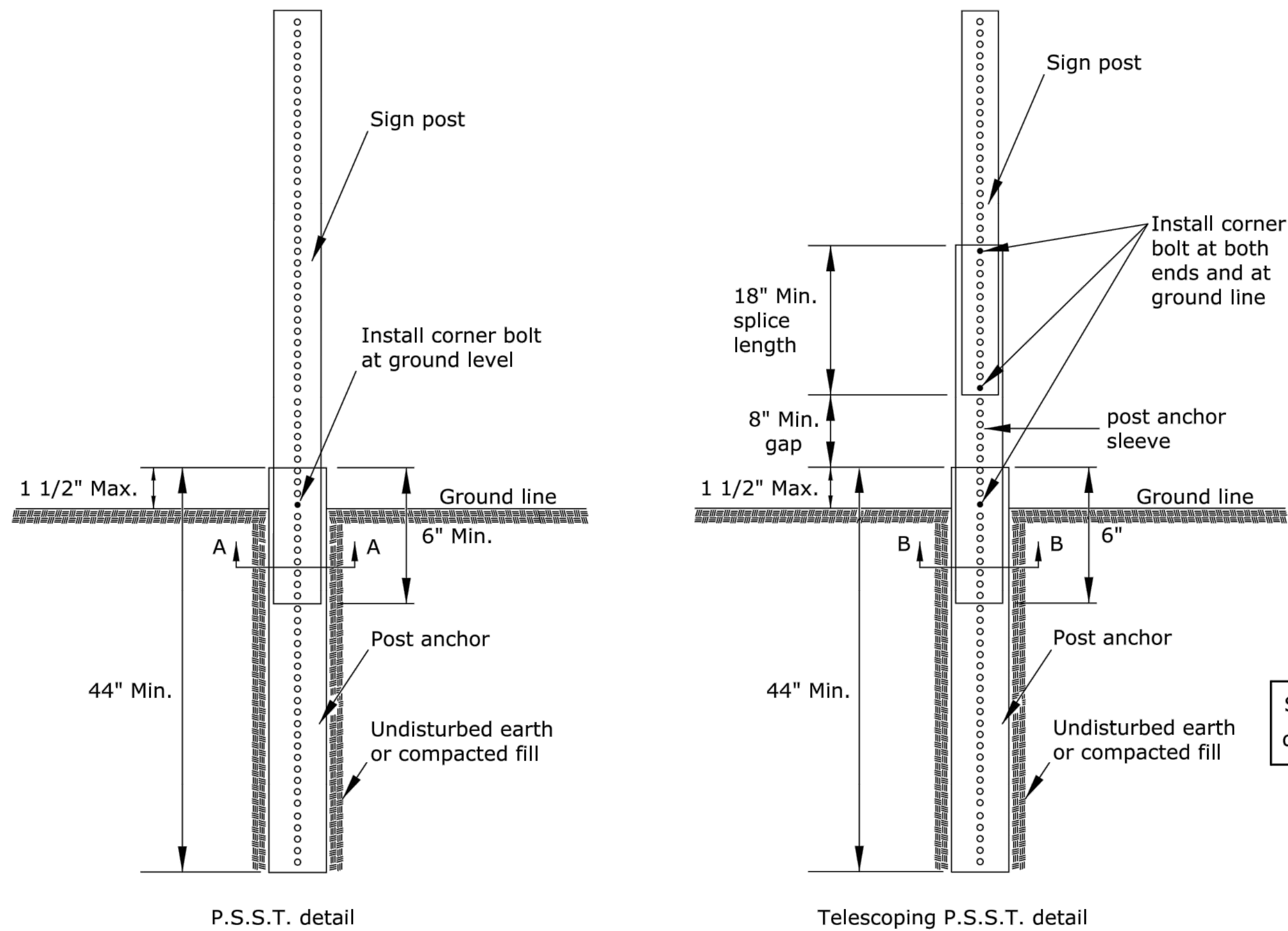


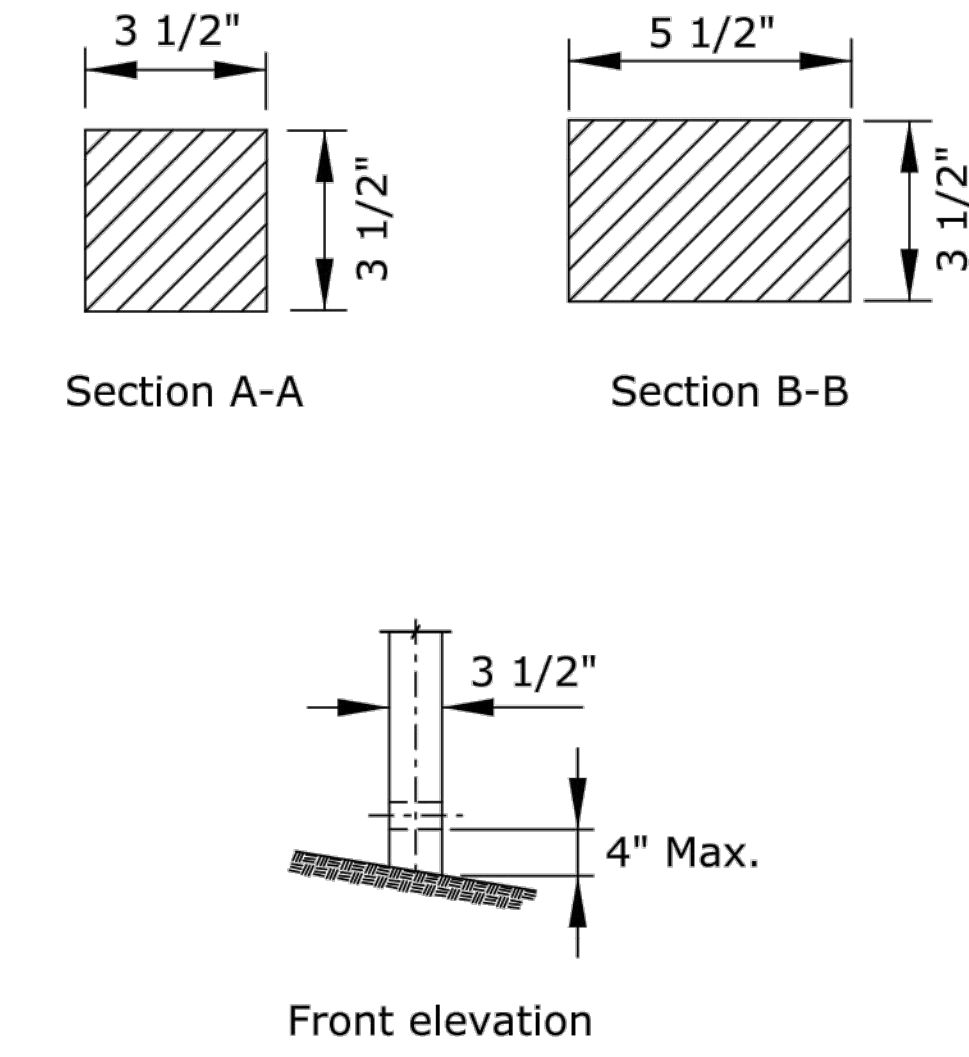
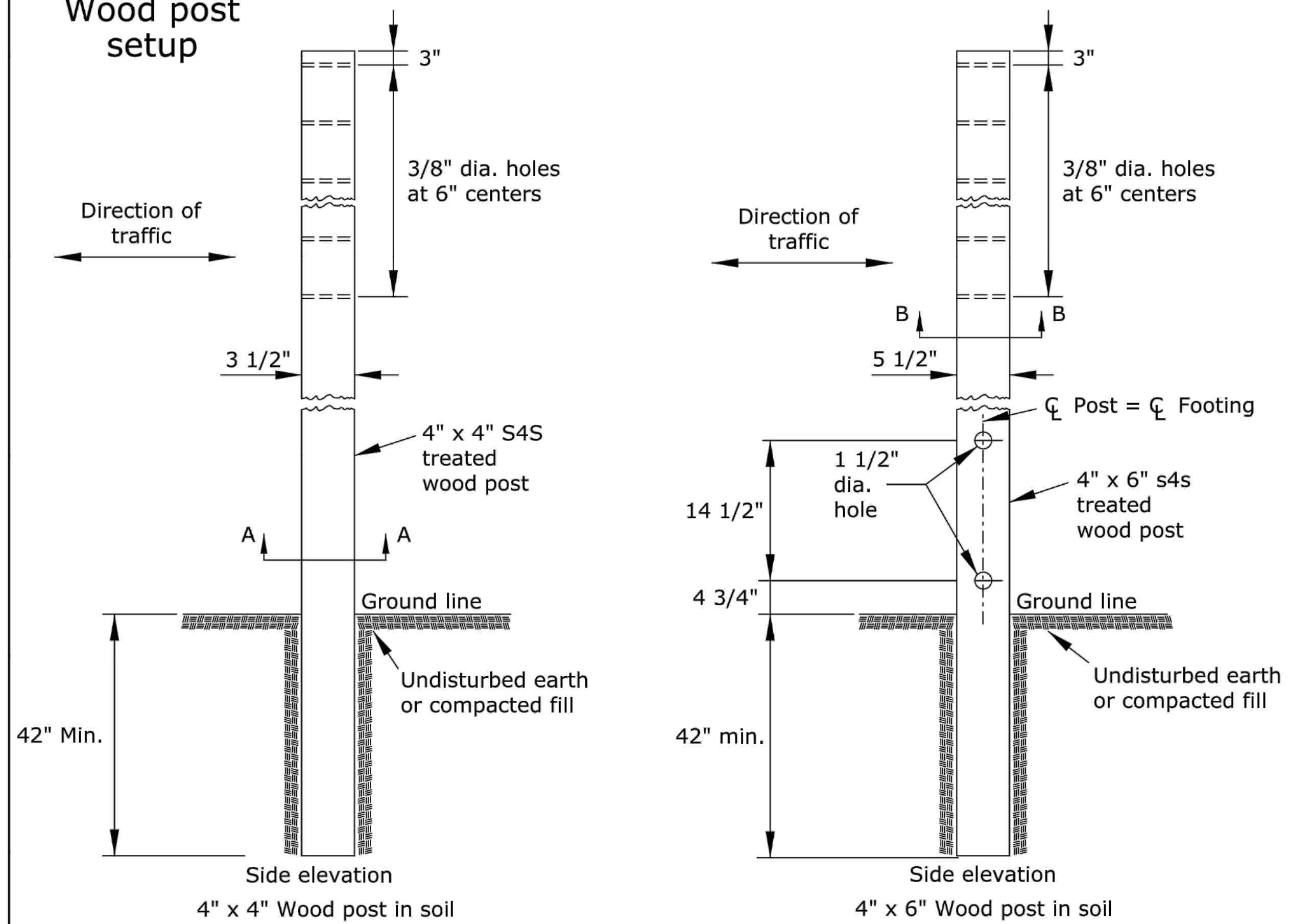
STATE	PROJECT NO.	YEAR	SHEET NO.	TOTAL SHEETS
KANSAS	087 C-4628-01	2015	47	52

### Perforated square steel tube (P.S.S.T.) post setup



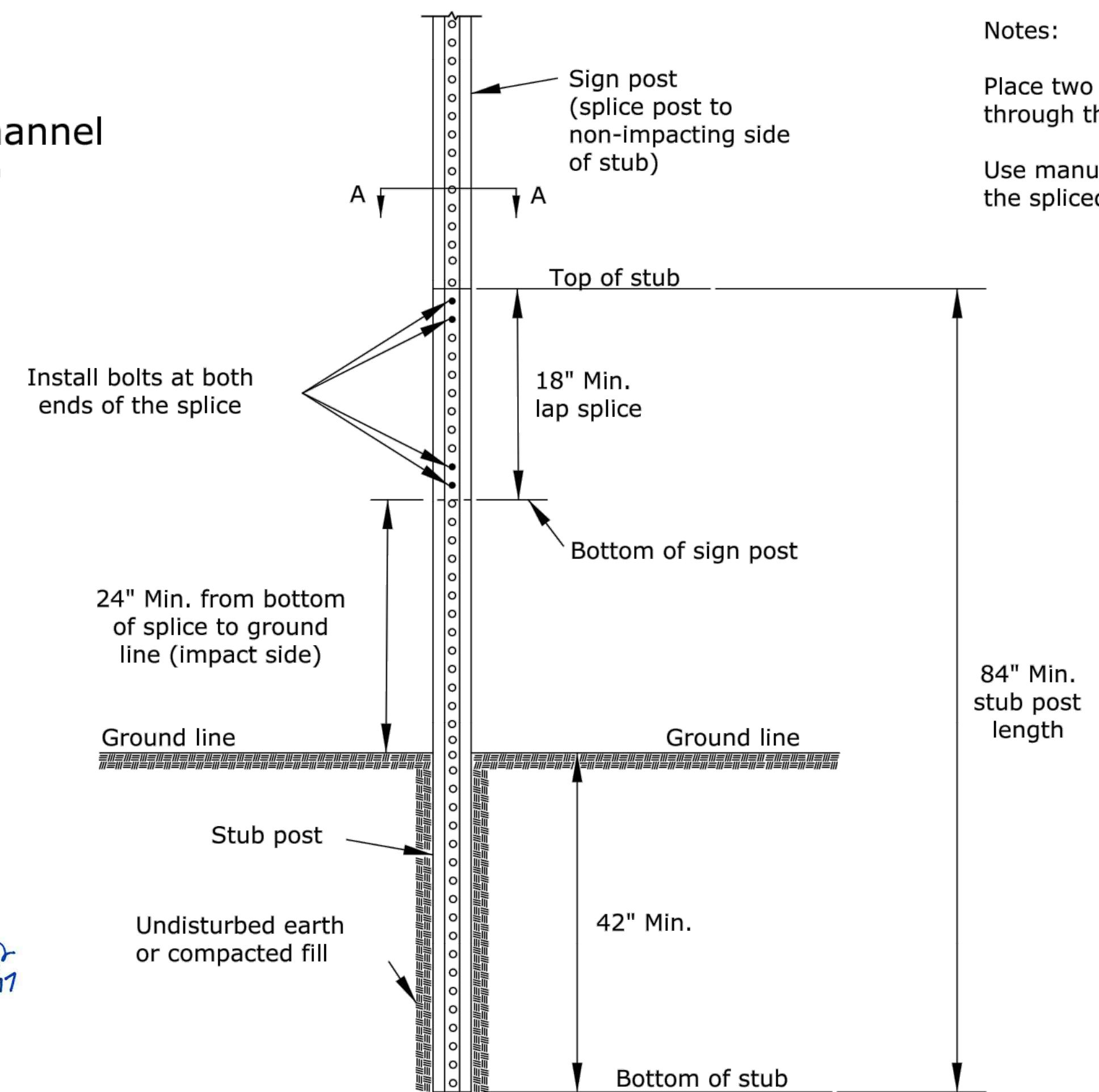
Details for 2", 2 1/4", or 2 1/2" sign posts  
Place bolts in the same corner along each sign post.

### Wood post setup

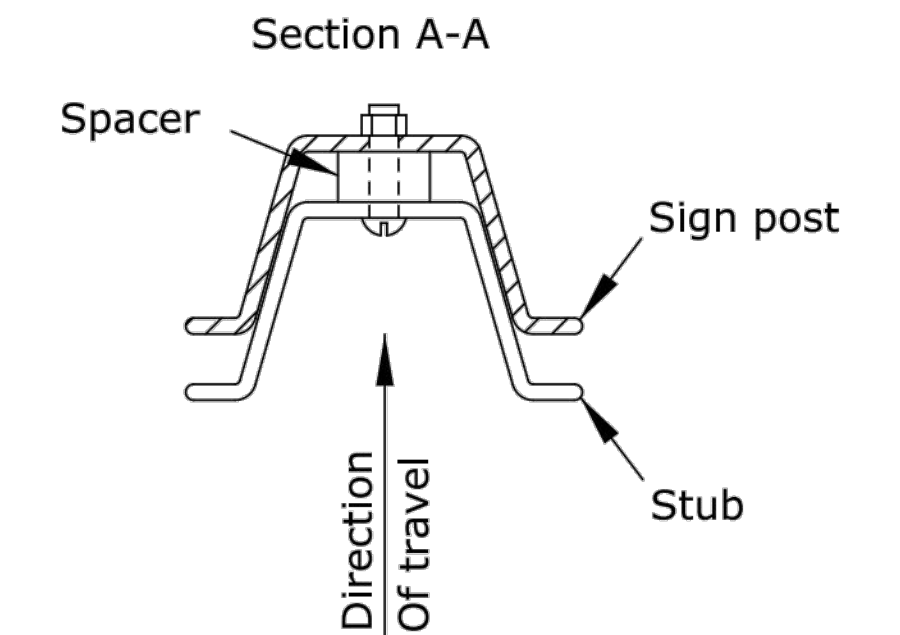


See TE710 for additional details and requirements

### 3 lb/f U-Channel setup



**Notes:**  
Place two bolts at both ends of the splice through the holes nearest the ends of the splice.  
Use manufacturer recommended spacers over the bolts between the spliced pieces of U-Channel.



3					
2					
1					
NO.	DATE	REVISIONS	BY	APP'D	

KANSAS DEPARTMENT OF TRANSPORTATION

**TRAFFIC CONTROL SIGN POSTS**

TE712

DESIGNED	B.A.H. DETAILED	R.W.B. QUANTITIES	TRACED
DESIGN CK.	DETAIL CK.	QUAN. CK.	TRACE CK.

06/01/15 APP'D Kristina Pyle

Plotted : 01-JUN-2015 13:54  
Traffic  
Drawn By : mushock  
File : te712.dgn