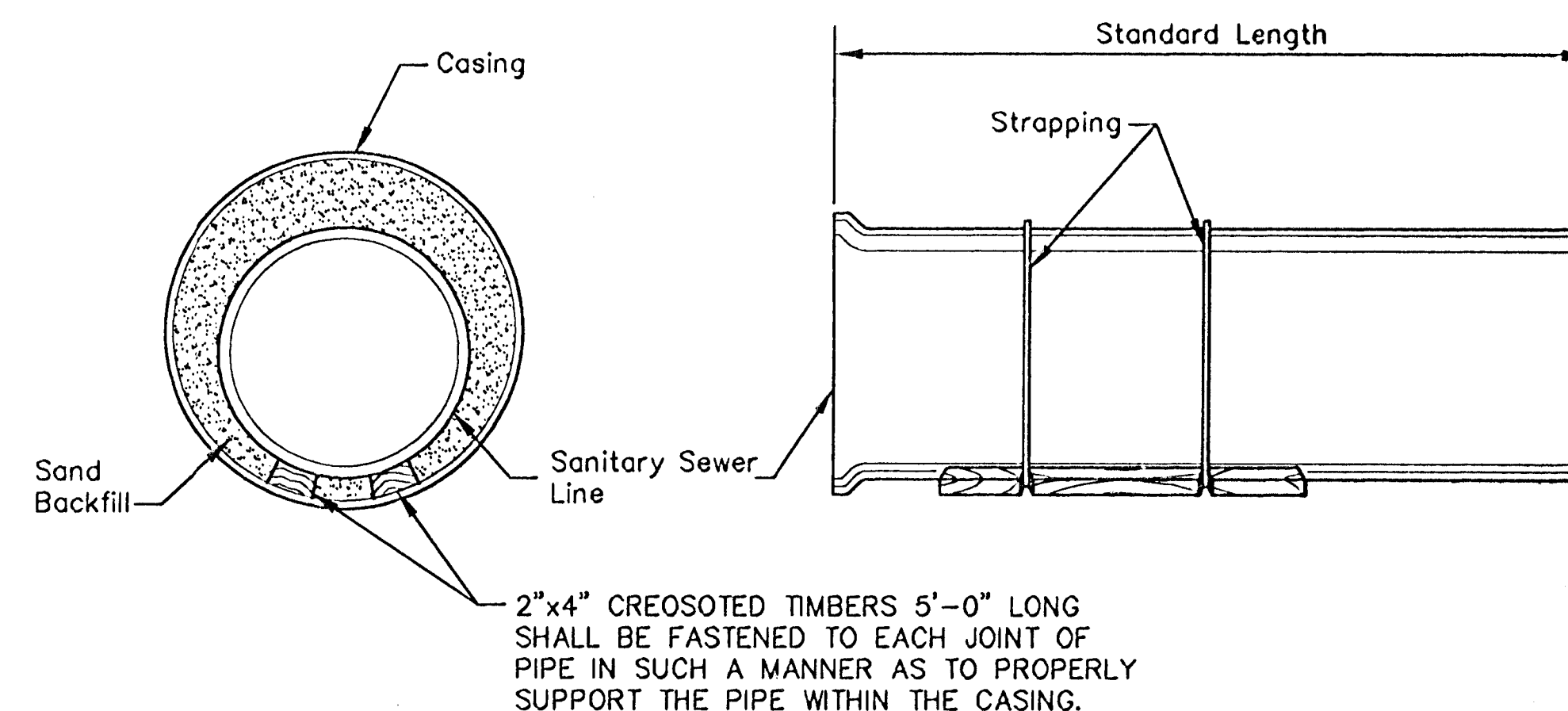


**SEALPAK  
SANITARY SEWER  
LINE 1**

**LEGEND**

- G — Under Ground Gas Line
- T — Under Ground Telephone Line



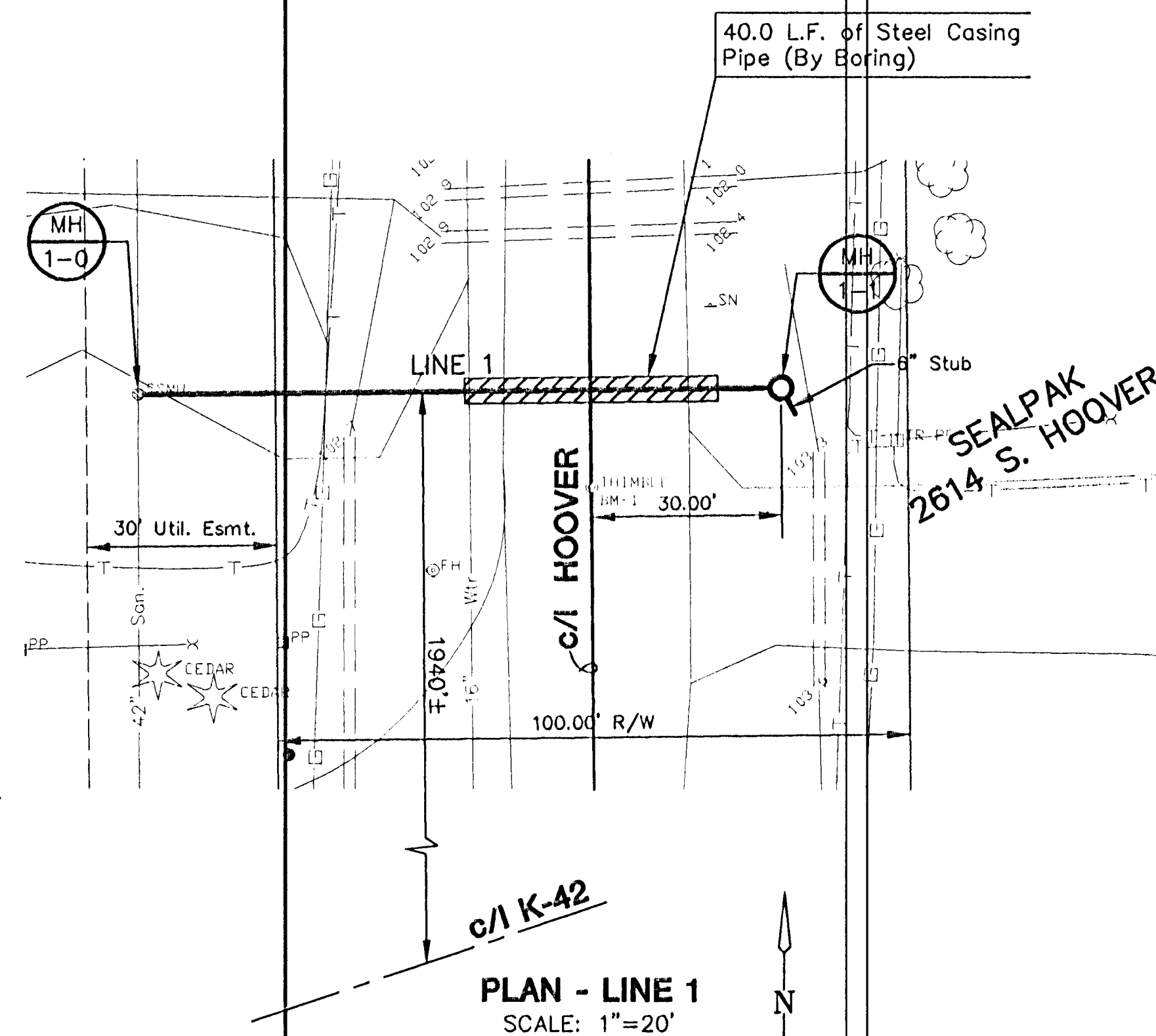
**STEEL ENCASEMENT DETAIL**

Note:  
Exist. 8" Stub in MH 1-0 information is from City Sewer Atlas Records. Stub could not be located by survey crew. If there is not an existing stub, the contractor shall tap the existing manhole at the elevation shown.

Street crossing may be made by open cut. Two way traffic must be maintained.

**Caution!**

Exist. 16" Water line information is from City Water Atlas Records. Water line was not located by survey crew.



**PLAN - LINE 1**  
SCALE: 1"=20'

**PROFILE - LINE 1**  
HORIZONTAL SCALE: 1"=20'  
VERTICAL SCALE: 1"=5'

