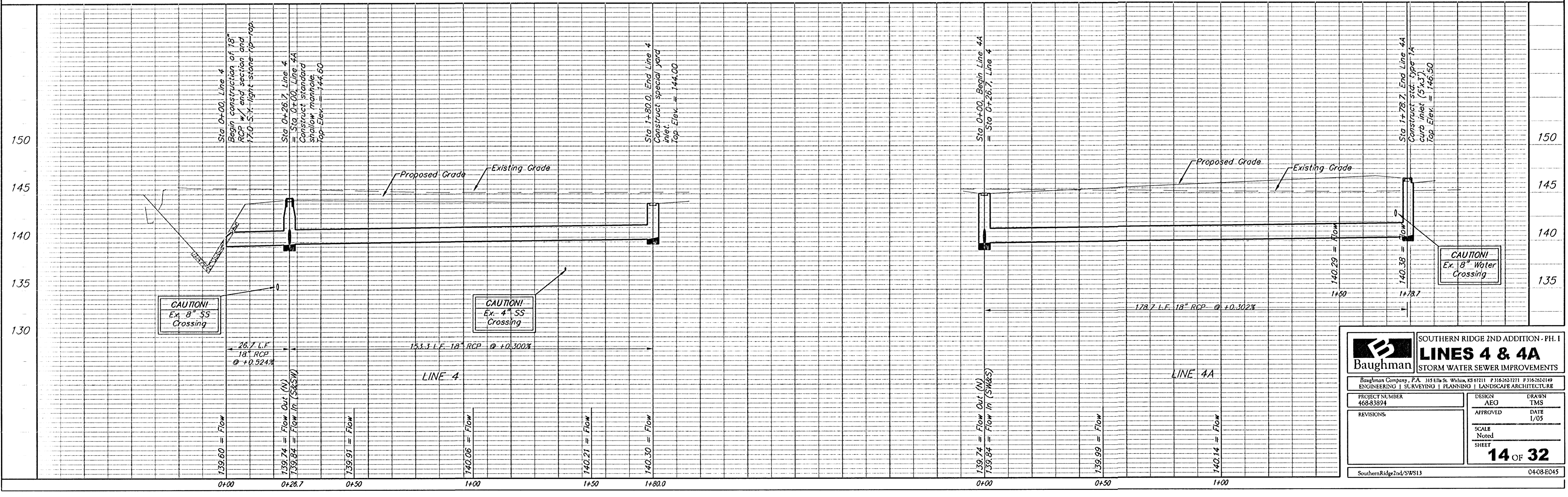
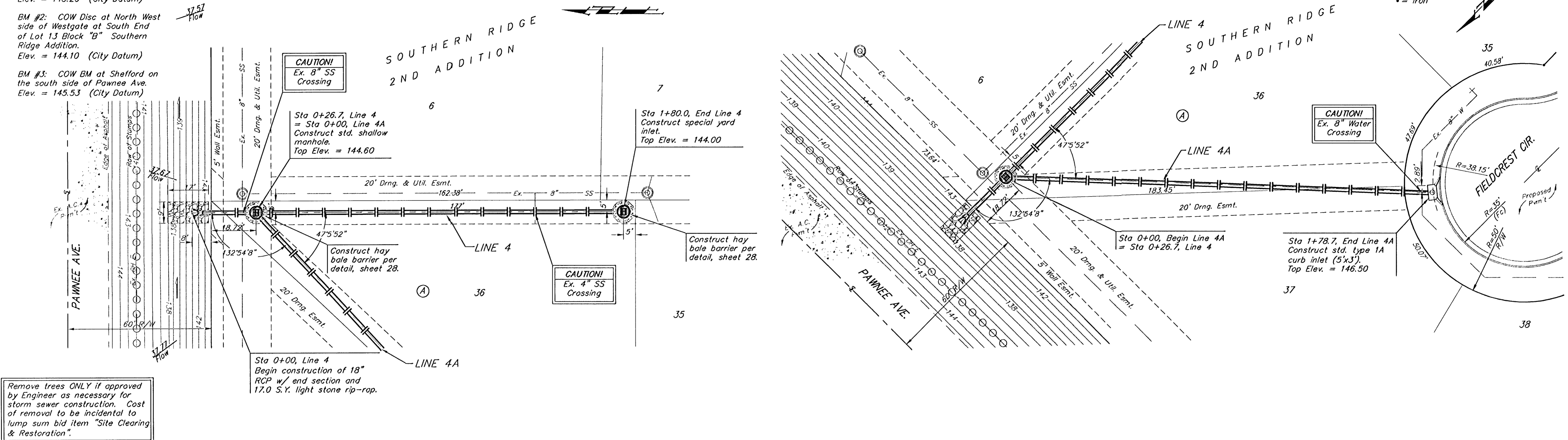


BENCHMARKS:
 BM #1: COW Disc at South West Corner of the Intersection of Lark & Atlanta.
 Elev. = 145.20 (City Datum)

BM #2: COW Disc at North West side of Westgate at South End of Lot 13 Block "B" Southern Ridge Addition.
 Elev. = 144.10 (City Datum)

BM #3: COW BM at Shefford on the south side of Pawnee Ave.
 Elev. = 145.53 (City Datum)

Scale: 1" = 20' Horizontal
 1" = 5' Vertical
 • = Iron



		SOUTHERN RIDGE 2ND ADDITION - PH. I LINES 4 & 4A STORM WATER SEWER IMPROVEMENTS	
		<small>Baughman Company, P.A. 315 E. 11th St. Wichita, KS 67211 P 316-262-7271 F 316-262-0149 ENGINEERING SURVEYING PLANNING LANDSCAPE ARCHITECTURE</small>	
PROJECT NUMBER 468-93894	DESIGN AEG	DRAWN TMS	DATE 1/05
REVISIONS:	APPROVED	SCALE Noted	SHEET 14 OF 32
<small>SouthernRidge2nd/SWS13</small>		<small>0408E045</small>	