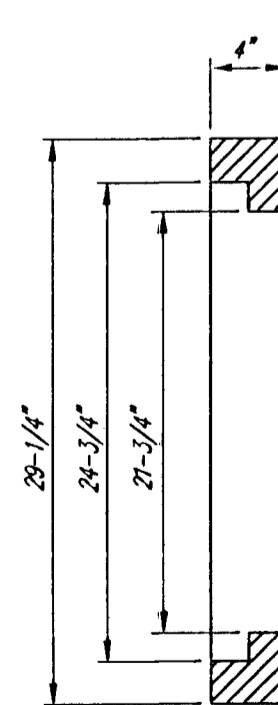
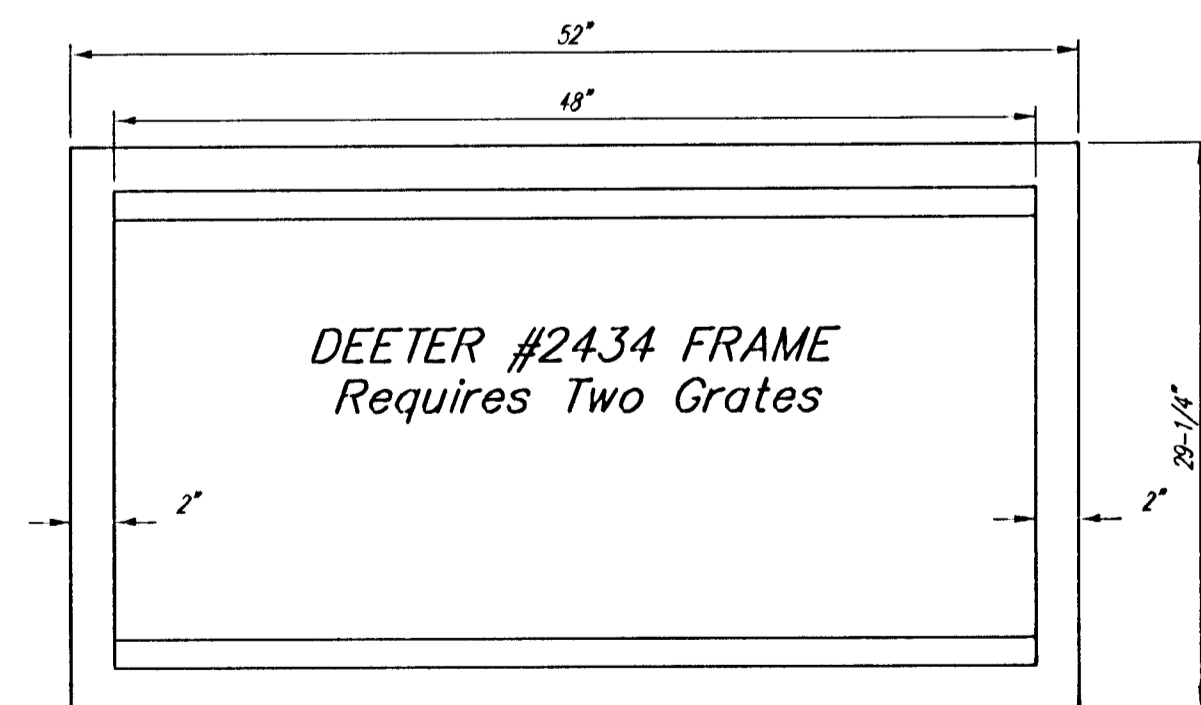


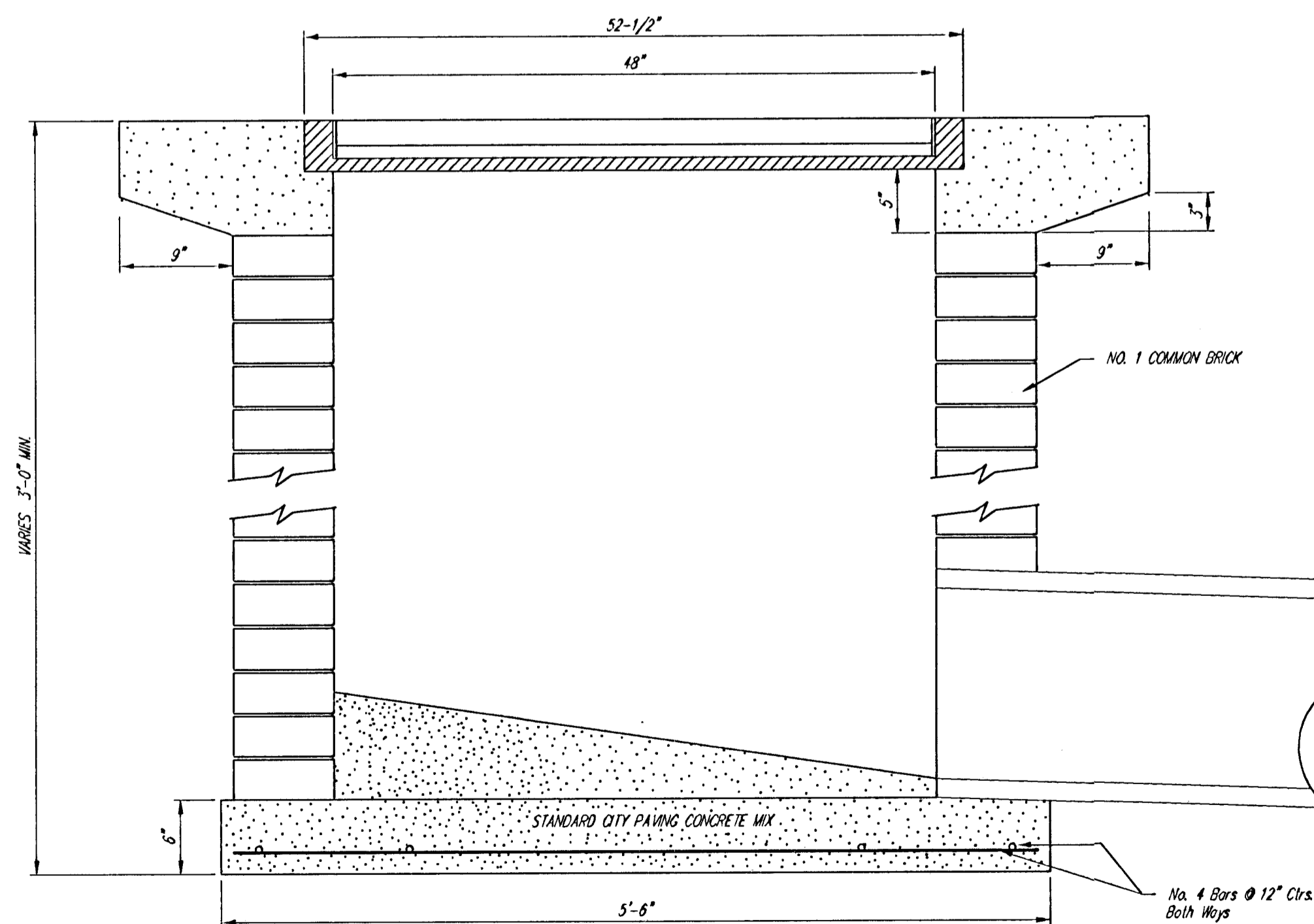
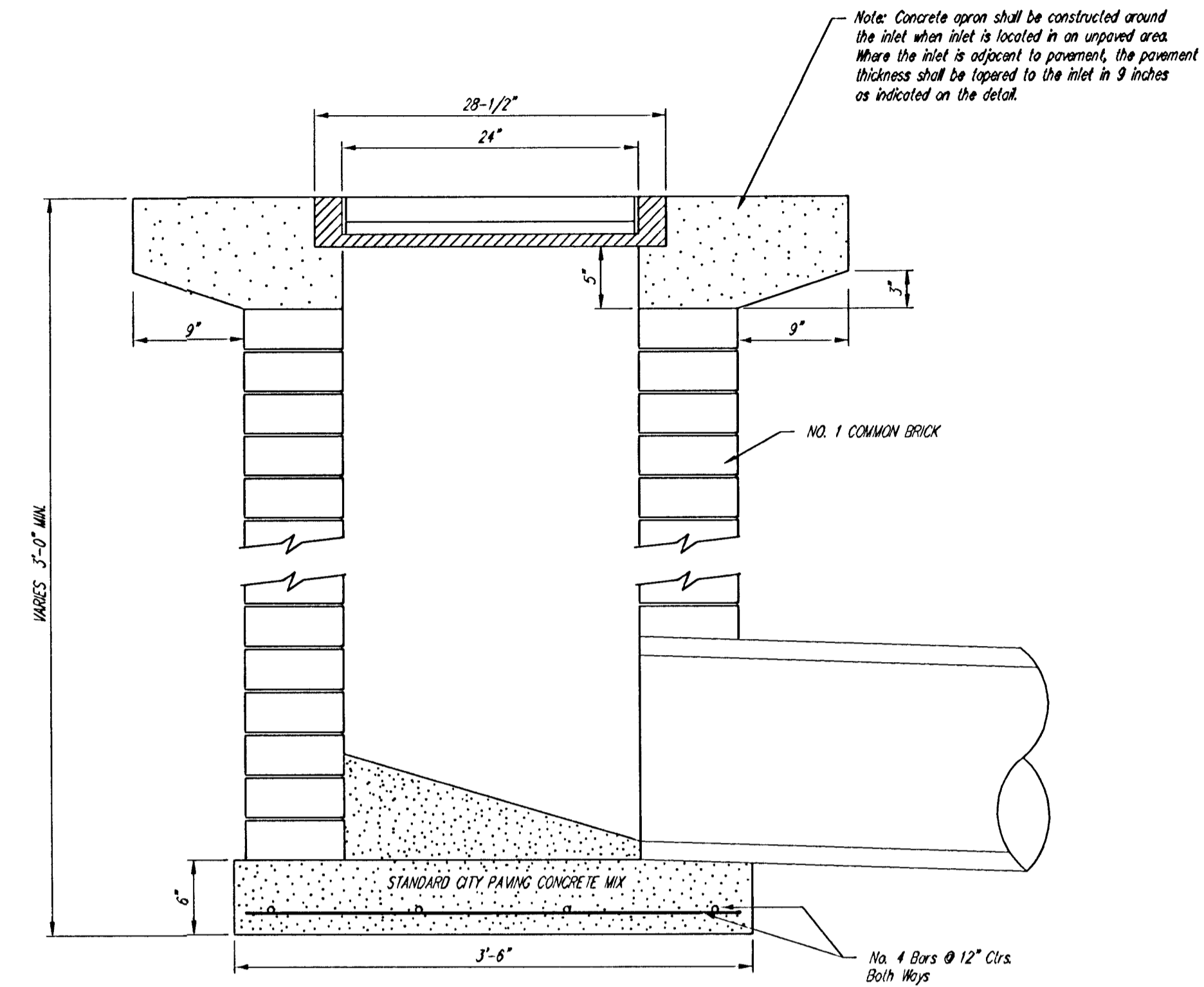
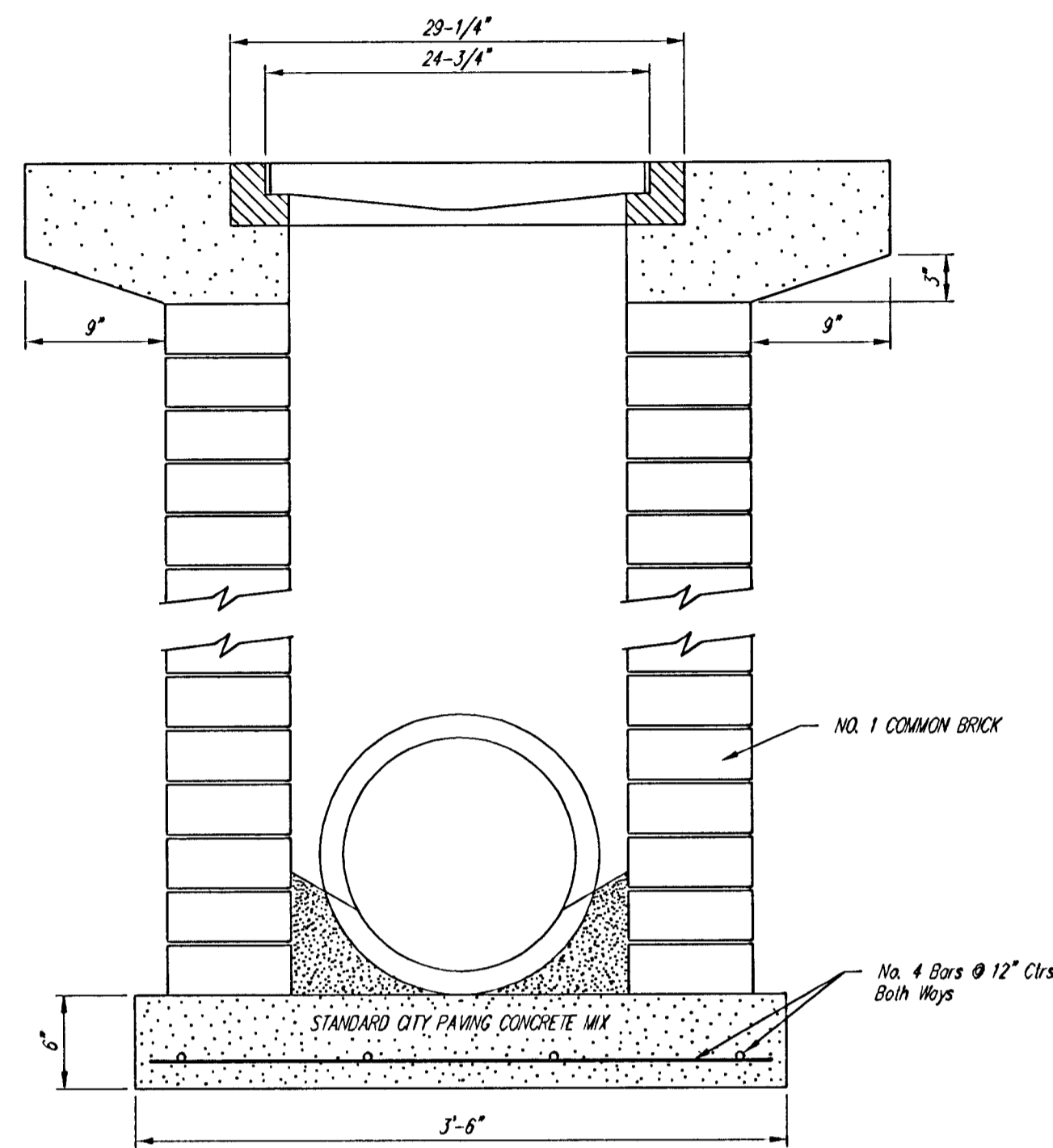
NOTE: Grates shall be imprinted on the top surface with "CITY OF WICHITA" using letters at least 1" in height. Other marking methods may be approved by the engineer.

DEETER #2433 GRATE

24" x 24" Frame and Grate Detail



Double 24" x 24" Frame Detail



	City of Wichita Standard	
	<b>Drop Inlet Detail</b>	
<small>Baughman Company, P.A. 315 Ella St. Wichita, KS 67211 P 316-263-7211 F 316-263-0149 ENGINEERING   SURVEYING   PLANNING   LANDSCAPE ARCHITECTURE</small>		
PROJECT NUMBER 468-83894	DESIGN C.O.W.	DRAWN Staff
REVISIONS:	APPROVED	DATE
	SCALE None	
	SHEET	<b>24 OF 32</b>
F:\Eng\Details\Sewers\DROPINTZ.dwg		0408E045