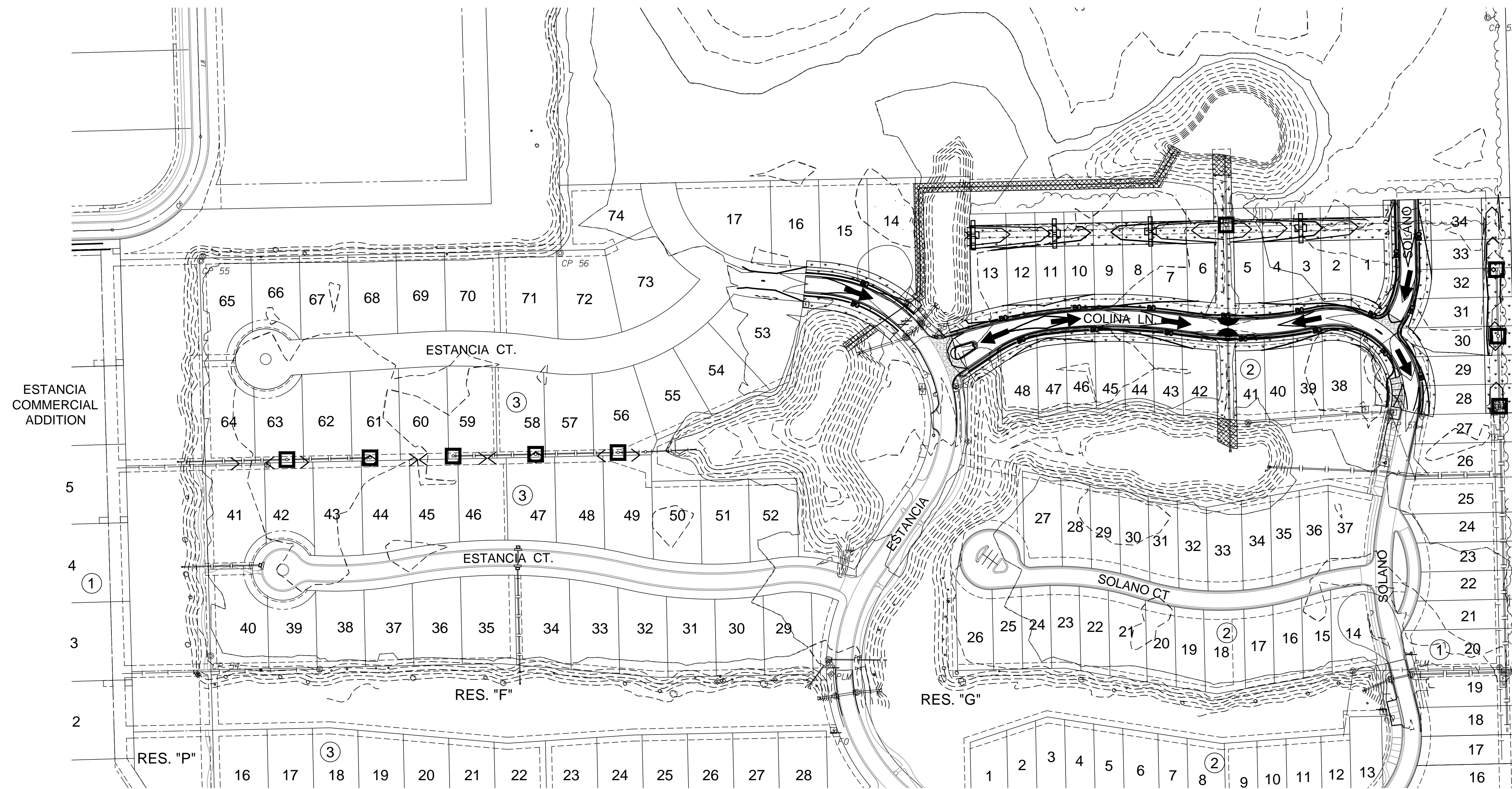
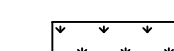
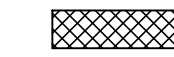


PAVING & INCIDENTAL DRAINAGE FOR  
**ESTANCIA ADDITION**  
PHASE 3A



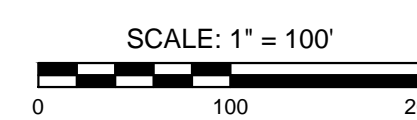
**LANDSCAPE LEGEND**

-  COVER CROP (2.8 AC)
-  SLOPE MIX (0.5 AC)


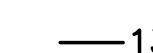
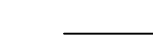
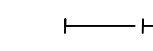
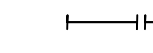
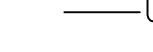







**NOTES**

ALL QUANTITIES ARE FOR REFERENCE ONLY AND ARE APPROXIMATE. CONTRACTOR SHALL VERIFY ALL QUANTITIES.

THE ESTANCIA DEVELOPMENT AND/OR DEVELOPERS LOGO SHALL BE PRINTED ON THE PROJECT SILT FENCE PER THE MANUFACTURERS LOGO PLACE HOLDER LOCATIONS. CONTRACTOR SHALL OBTAIN LOGO ARTWORK BY CONTACTING JESSE SCHELLENBERG, SCHELLENBERG DEVELOPMENT, 316.721.2153. JESSE@PREMIERWICHITA.COM (COST SUBSIDIARY TO PROJECT)



**LEGEND**

-  1370 — EXIST. CONTOUR
-  1370 — PROP. CONTOUR
-  W — WATERLINE
-  — SANITARY SEWER
-  — STORMWATER SEWER
-  UGE — UNDERGROUND ELECTRICAL
-  G — GAS LINE
-  FOC — FIBER OPTIC CABLE
-  — FLOW ARROW
-  BC — BACK OF CURB PROTECTION (2,475 L.F.)
-  — CURB INLET PROTECTION (2)
-  — DROP INLET PROTECTION (9)
-  — DITCH CHECKS (4)

©2018 MKEC Engineering All Rights Reserved www.mkec.com  
These drawings and their contents, including, but not limited to, all concepts, designs, & ideas are the exclusive property of MKEC Engineering (MKEC), and may not be used or reproduced in any way without the express consent of MKEC.

**EROSION CONTROL PLAN**

PROJECT NO.	472-85245	
DATE	SEPT. 2018	
SCALE	1" = 100'	
DESIGNED	DRAWN	CHECKED
DFL	JWC	GJA

NO.	REVISION	DATE

SHEET NO.