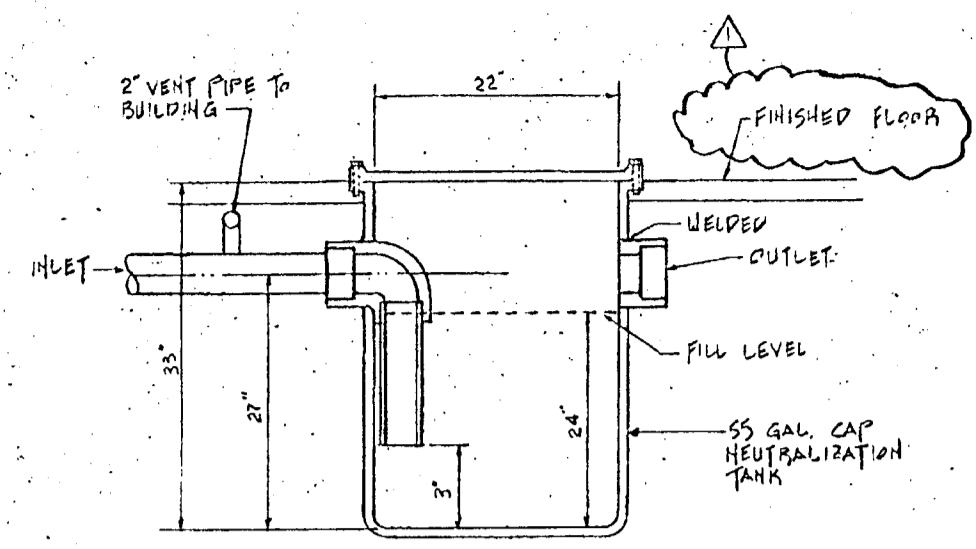
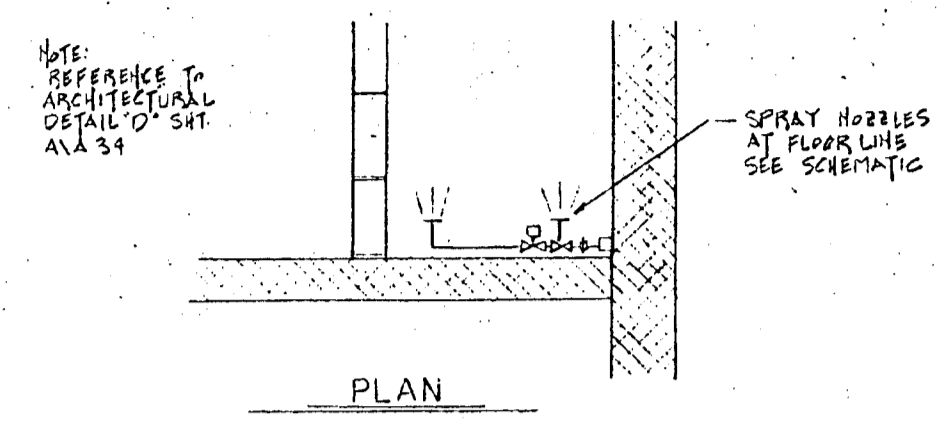
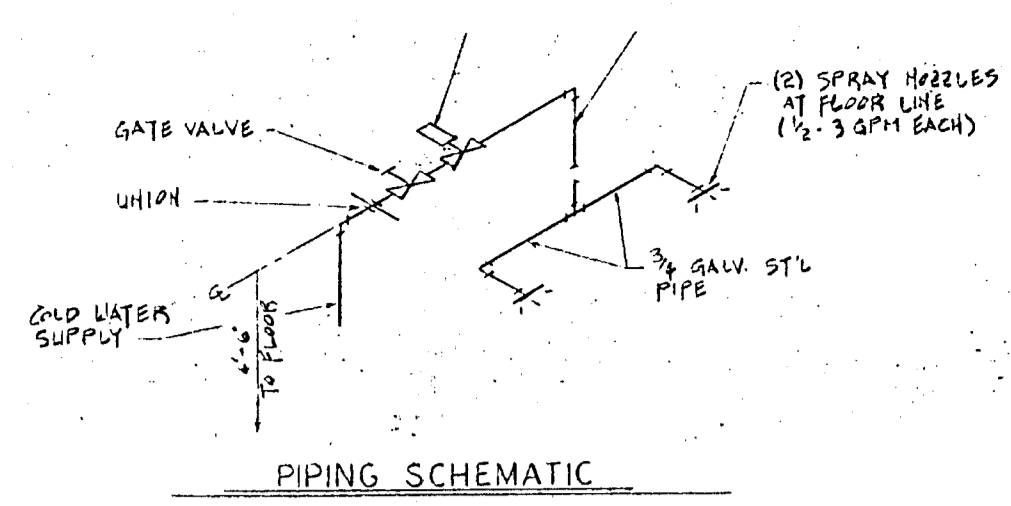


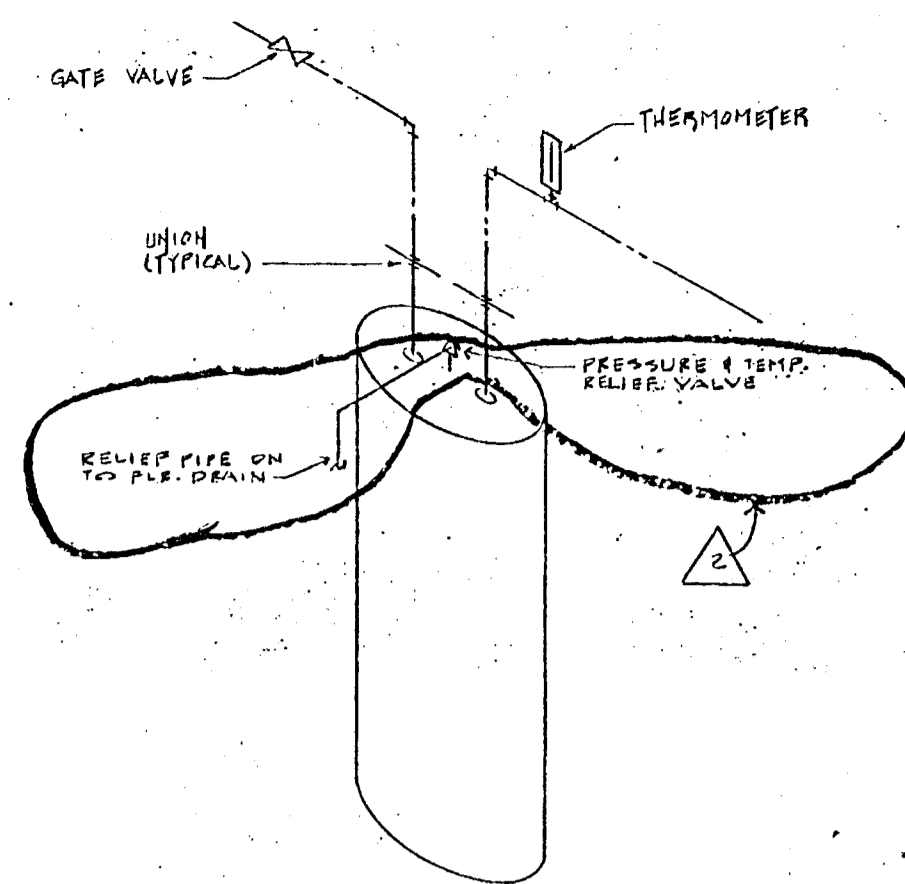
**B** ALIGNMENT AREA UNDERGROUND AIR  
SCALE: 1/4" = 1'-0"



**C** NEUTRALIZATION TANK DETAIL  
NO SCALE



**D** BATTERY ROOM PIPING  
SCALE 3/8" = 1'-0"



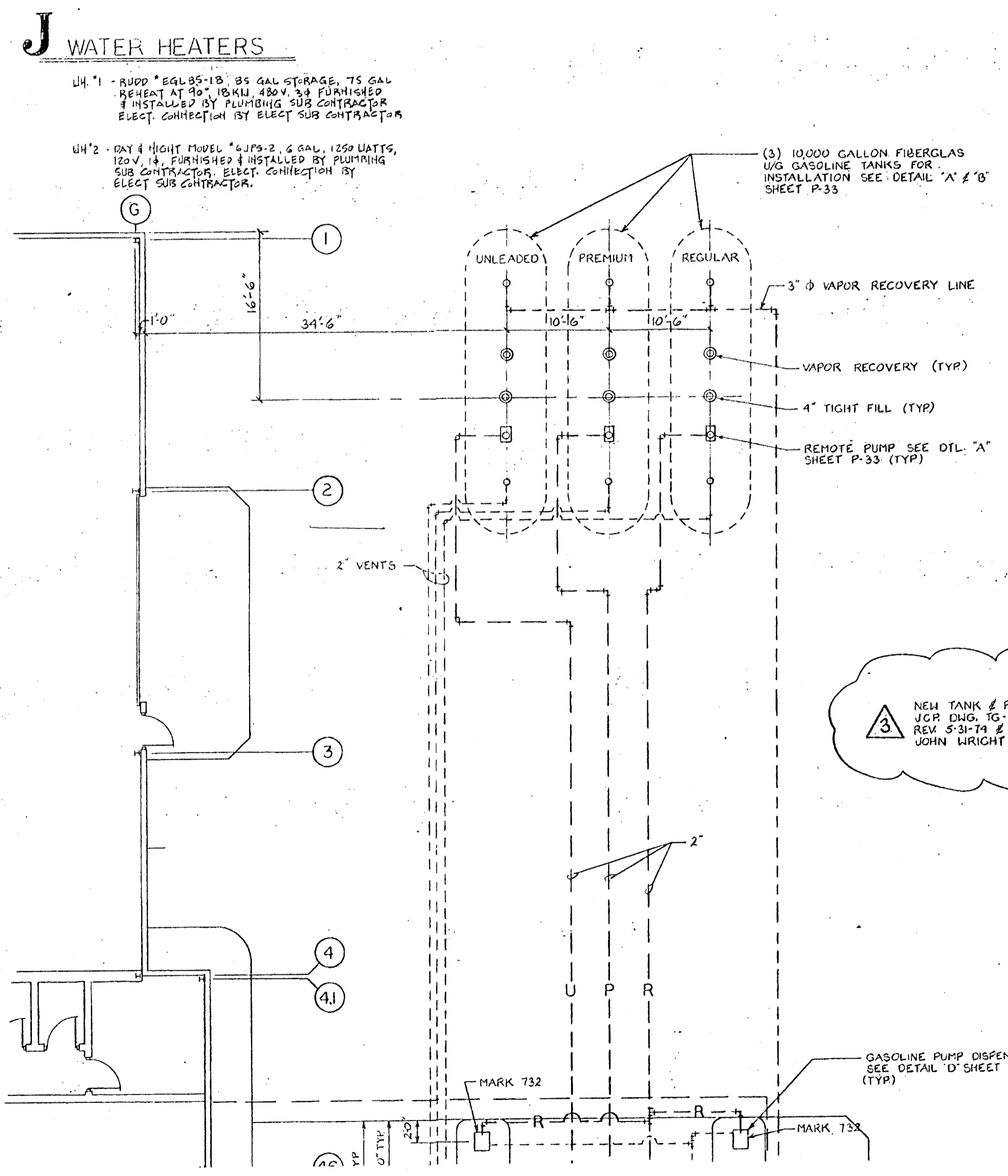
**E** TYPICAL WATER HEATER DETAIL  
NO SCALE

**G** FIXTURE SCHEDULE

MARK	FIXTURE	WASTE	VENT	TRAP	HW	CW	REMARKS
P-1	WATER CLOSET (MEN)	4"	2"	INT.		1"	TRV PERM.
P-4	URNAL	5"	2"	INT.		1/2"	1/2" EX. WALL HUNG
P-3	WATORY	2"	1 1/2"	1 1/2"	1/2"	1/2"	WALL HUNG
P-11	WASH BOUNTAIN	2"	1 1/2"	2"		1"	
P-5	SERVICE SINK	2"	1 1/2"	2"		1/2"	W/S.S. KIM
P-13	SHOWER	2"	1 1/2"	1 1/2"	3/4"	3/4"	
P-14	DRINKING FOUNTAIN	2"	1 1/2"	1 1/2"		1/2"	SNG. PUB.
P-12	WATER CLOSET (WOMEN)	4"	2"	INT.		1"	1" EX. FLA. HT.
P-10	REC. NO. OFFICE						
P-10	HR. INSIDE						
P-10	ATTCHD. UNIT	2"	1 1/2"	1 1/2"	3/4"	3/4"	BY PLUMBING CONTR. SEE PLANS FOR SIZE
RD-1	ROOF DRAIN						

**H** EQUIPMENT LIST

ITEM	QTY	FURNISHED BY	INSTALLED BY	REMARKS
TIRE CHANGER	4	J.C. PENNEY	GENERAL CONTR. FINING BY PLUMB. SUB-CONTR.	
TUBE TEST TANK	1	J.C. PENNEY	J.C. PENNEY	
AIR COMPRESSORS	2	J.C. PENNEY	PLUMBING SUB. CONTR.	15 HP
ELECT. CORD REEL	5	J.C. PENNEY	ELECTRICAL SUB. CONTR.	110 VOLT
BATTERY CHARGER	1	J.C. PENNEY	J.C. PENNEY	24-2/ASSOC. HD. OF ST. LOUIS MO.
COMPLETE BRAKE SHOP	1	J.C. PENNEY	J.C. PENNEY	
ALIGNMENT RACK	1	J.C. PENNEY	J.C. PENNEY	
ALIGNMENT CABINET	1	J.C. PENNEY	J.C. PENNEY	
TABLE POST LIFT	10	J.C. PENNEY	EQUIP. BY SUPPLIER PIPING BY PLUMB. SUB. CONTR.	EXCAVATION BY GENERAL CONTRACTOR
TWO POST FRAME LIFT	4	J.C. PENNEY	EQUIP. BY SUPPLIER PIPING BY PLUMB. SUB. CONTR.	EXCAVATION BY GENERAL CONTRACTOR
WIND SCREEN	3	J.C. PENNEY	J.C. PENNEY	
DISC. LATHE	1	J.C. PENNEY	J.C. PENNEY	
WORK BENCH	8	J.C. PENNEY	J.C. PENNEY	
PART CLEANING TANK	1	J.C. PENNEY	J.C. PENNEY	
AIR PRESSURE REGULATOR	7	J.C. PENNEY	PLUMBING SUB. CONTR.	
AIR LINE LUBRICATOR	7	J.C. PENNEY	PLUMBING SUB. CONTR.	
AIR LINE FILTER	7	J.C. PENNEY	PLUMBING SUB. CONTR.	
3/8" - 3/8" QUICK COUPLER BOY	20	J.C. PENNEY	PLUMBING SUB. CONTR.	
ELECT. CORD REEL	3	J.C. PENNEY	ELECTRICAL SUB. CONTR.	200 VOLT



**K** LEGEND

SYMBOL	ABV	DESCRIPTION
—	CW	DOMESTIC COLD WATER
—	HW	DOMESTIC HOT WATER
—	W	SANITARY WASTE
—	AR	ACID RESISTANT WASTE LINE
—	A	OVERHEAD AIR LINE
—	A	UNDERFLOOR AIR LINE
—	AR	ACID RESISTANT WASTE LINE
—	RL	RAIN LEADER
—	R	REGULAR GASOLINE LINE
—	P	PREMIUM GASOLINE LINE
—	F	GASOLINE FILL LINE
—	FD	FLOOR DRAIN
—	ARFD	ACID RESISTANT FLOOR DRAIN
—	RD	ROOF DRAIN

**L** EQUIPMENT LIST

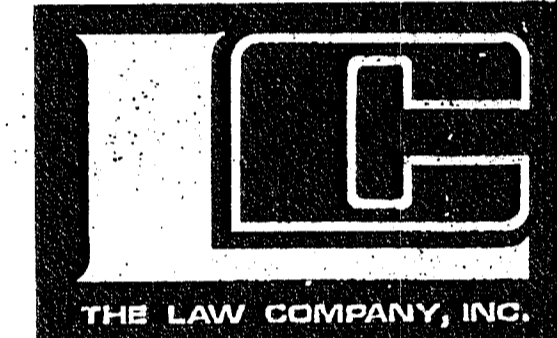
ITEM	QTY	FURNISHED BY	INSTALLED BY	LOCATION	REMARKS
10,000 GALLON FIBERGLASS TANK	3	J.C. PENNEY	E-C	AT TANKS	G-3 & G-5 MOD. P. ORDER WITH TANKS
FIBERGLASS TANK STRAPS	12	J.C. PENNEY	E-C	AT TANKS	
ALUM. DROPPING TUBES	2	J.C. PENNEY	E-C	AT TANKS	
RED-JACKET SAN. PUMP (1/2\"/>					

PRINTS ISSUED

DATE	PURPOSE	NO.
8-9-73	J.C.P. APPROVAL	10
7-17-73	AS DESIGNED ESTIMATES	3
10-5-73	BLOOM. PERMIT	1
11-3-73	FIN. APPROVAL	3
12-2-73	J.C.P. CHECK DRAWING	

FOR CONSTRUCTION: 12/14/73

REVISIONS		
DATE	ITEM	NO.
11/10/73	PER J.C. PENNEY REP. MARKS	1
4/15/74	PER J.C. PENNEY REP. MARKS	2
8/21/74	PER J.C. PENNEY REP. MARKS	3



GALVIN KINGDON RA. 313 E. MAIN ST. WICHITA, KANS. 67202. PHONE (316) 268-8888. ARCHITECTS & ENGINEERS

DRAWN	CHECKED
MIKE JAMES	D.P.C.

RELATED DRAWINGS

SHELL	DETAILS	STRUCTURE	MECHANICAL	ELECTRICAL	OTHER

SEQUENCE NUMBER OF SHEETS

TOWNE EAST SQUARE (KELLOGG MALL)