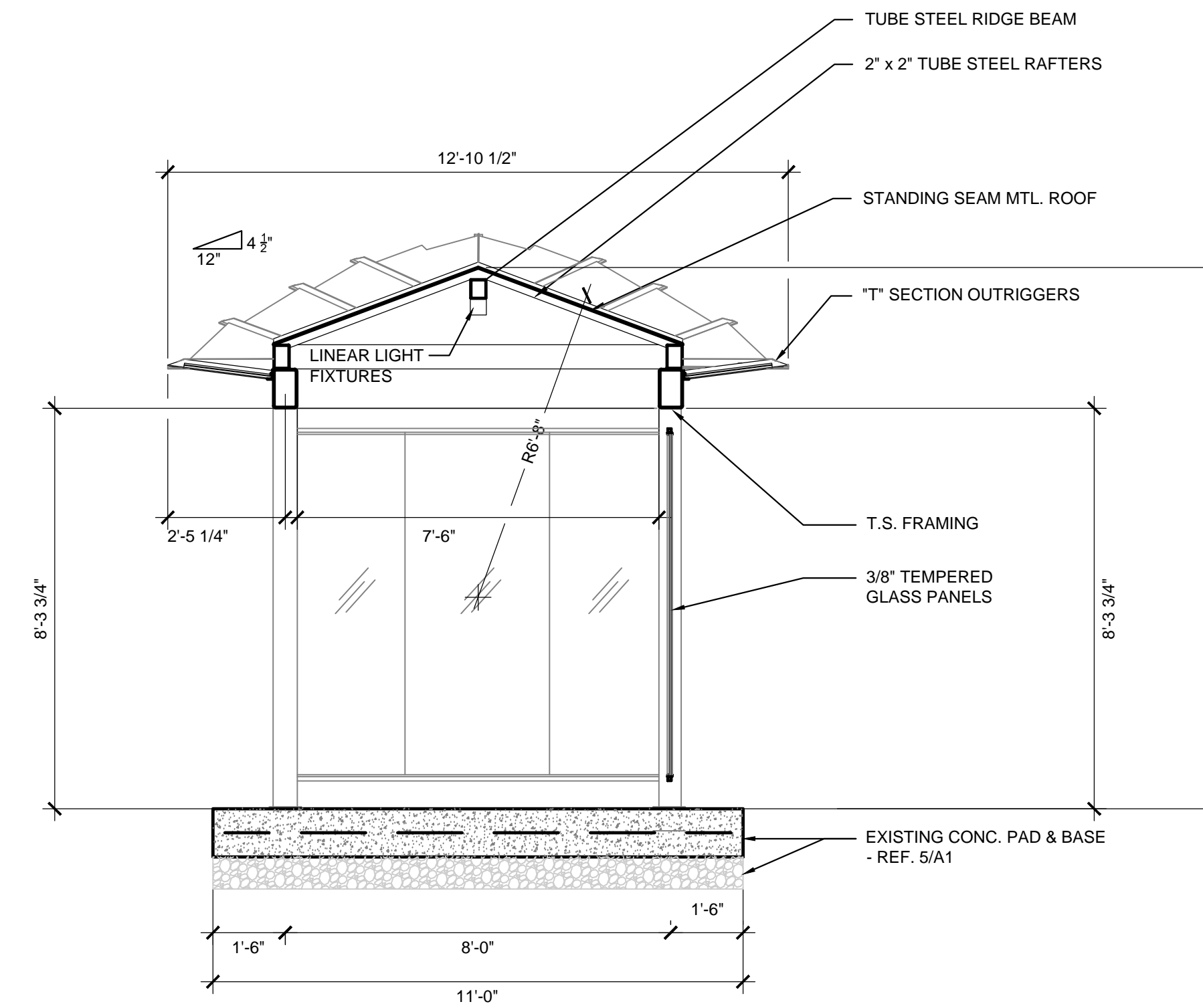
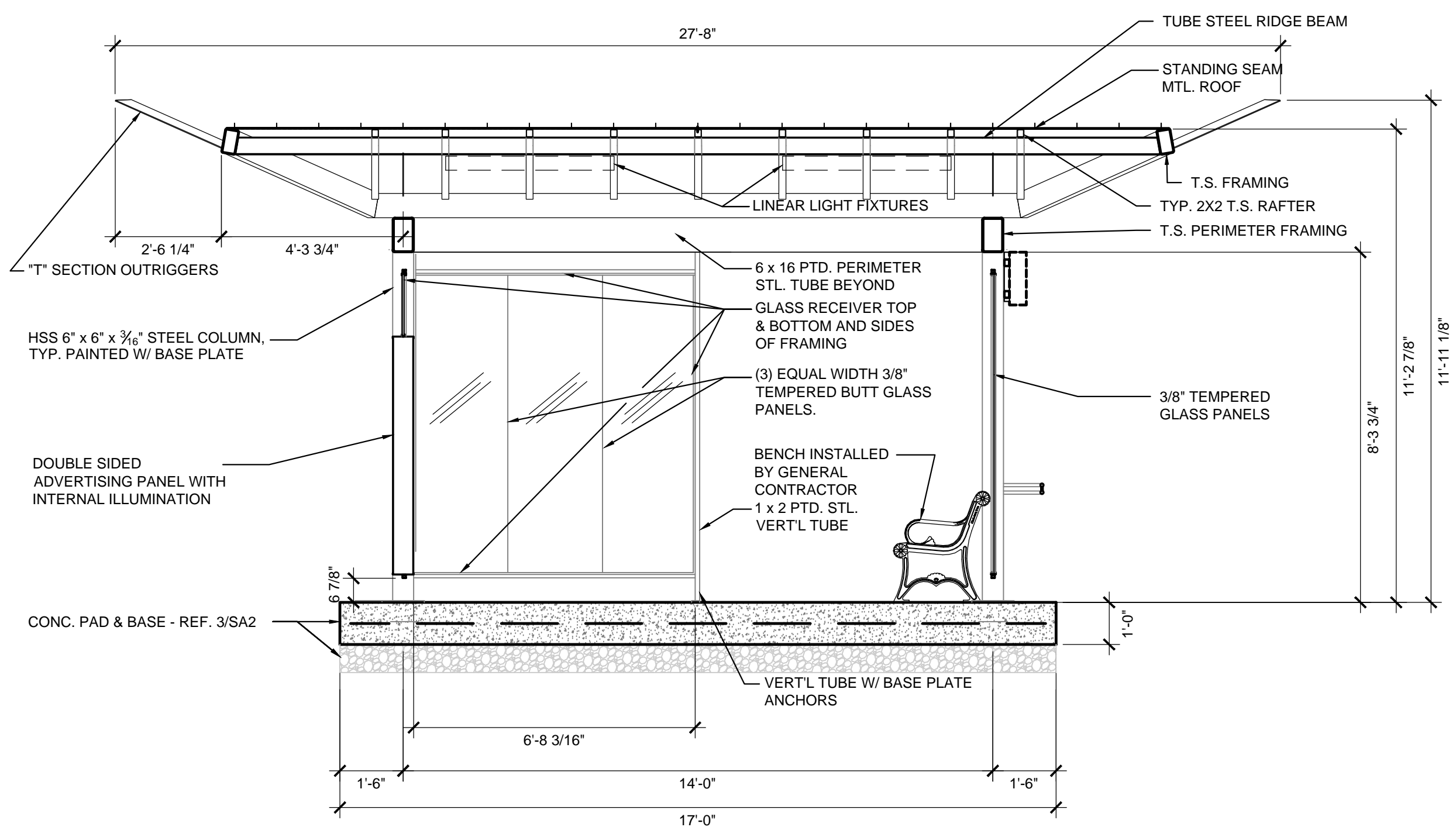


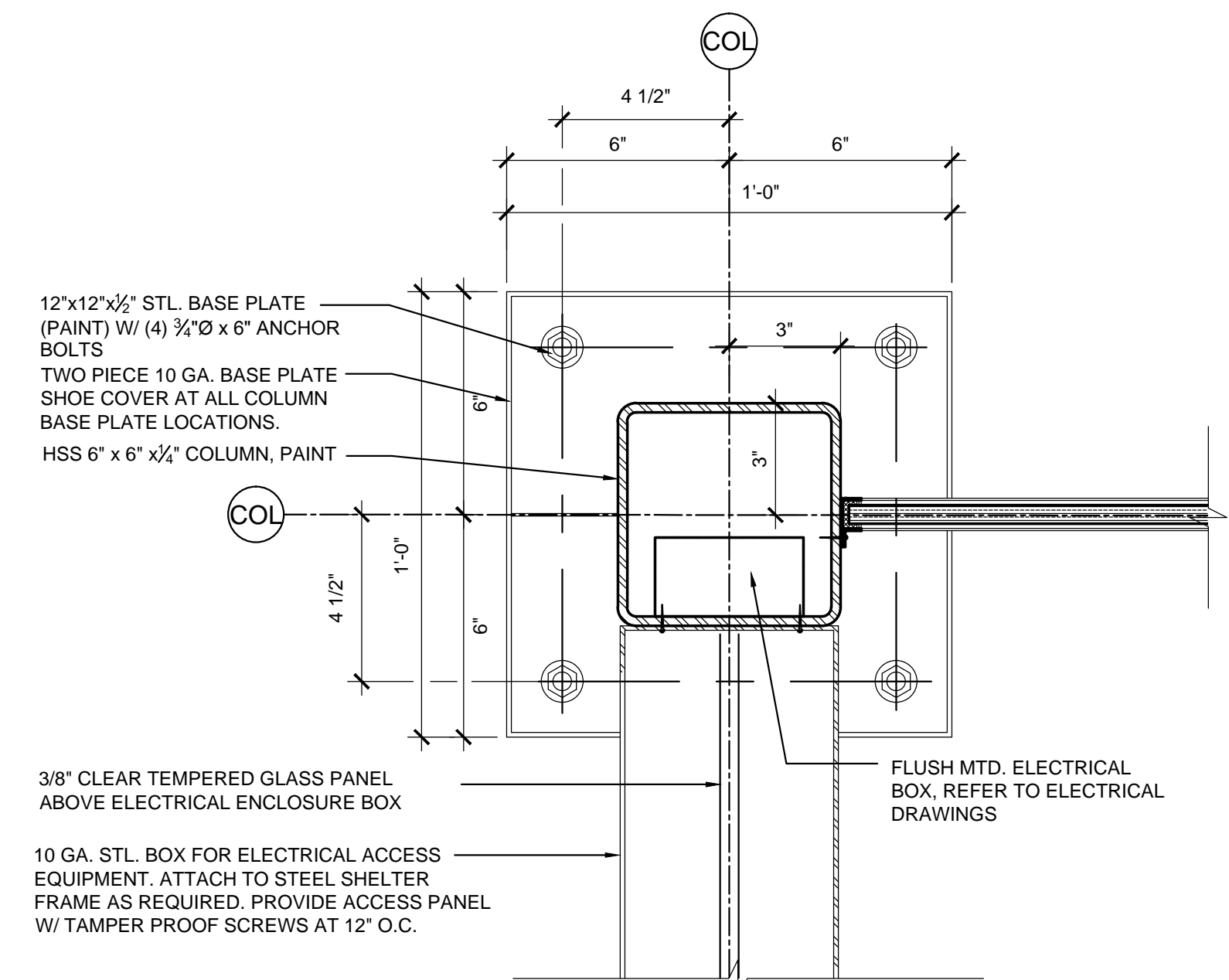
1 FLOOR PLAN
 3/8"=1'-0"



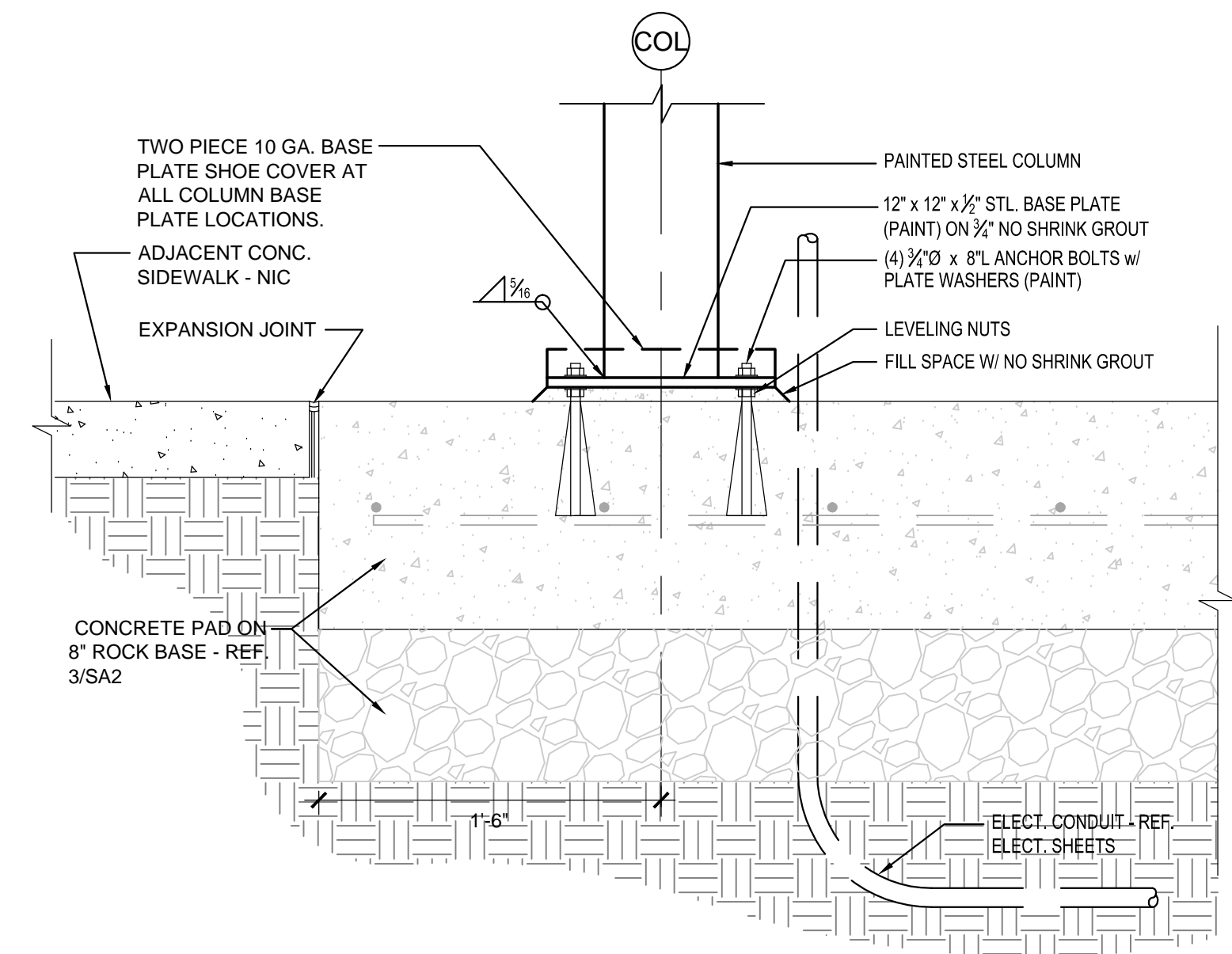
2 CROSS SECTION
 3/8"=1'-0"



3 LONGITUDINAL SECTIONS
 3/8"=1'-0"



4 GLASS PANEL JAMB AT COLUMN
 3"=1'-0"



5 TYP. COLUMN BASE PLATE
 1 1/2"=1'-0"

SHELTER DRAWINGS ARE FOR REFERENCE ONLY

DOUGLAS AVE. TRANSIT SHELTER RELOCATION
 WICHITA, KS

LKArchitecture
 Architecture • Engineering • Planning • Interior Design • Landscape Architecture