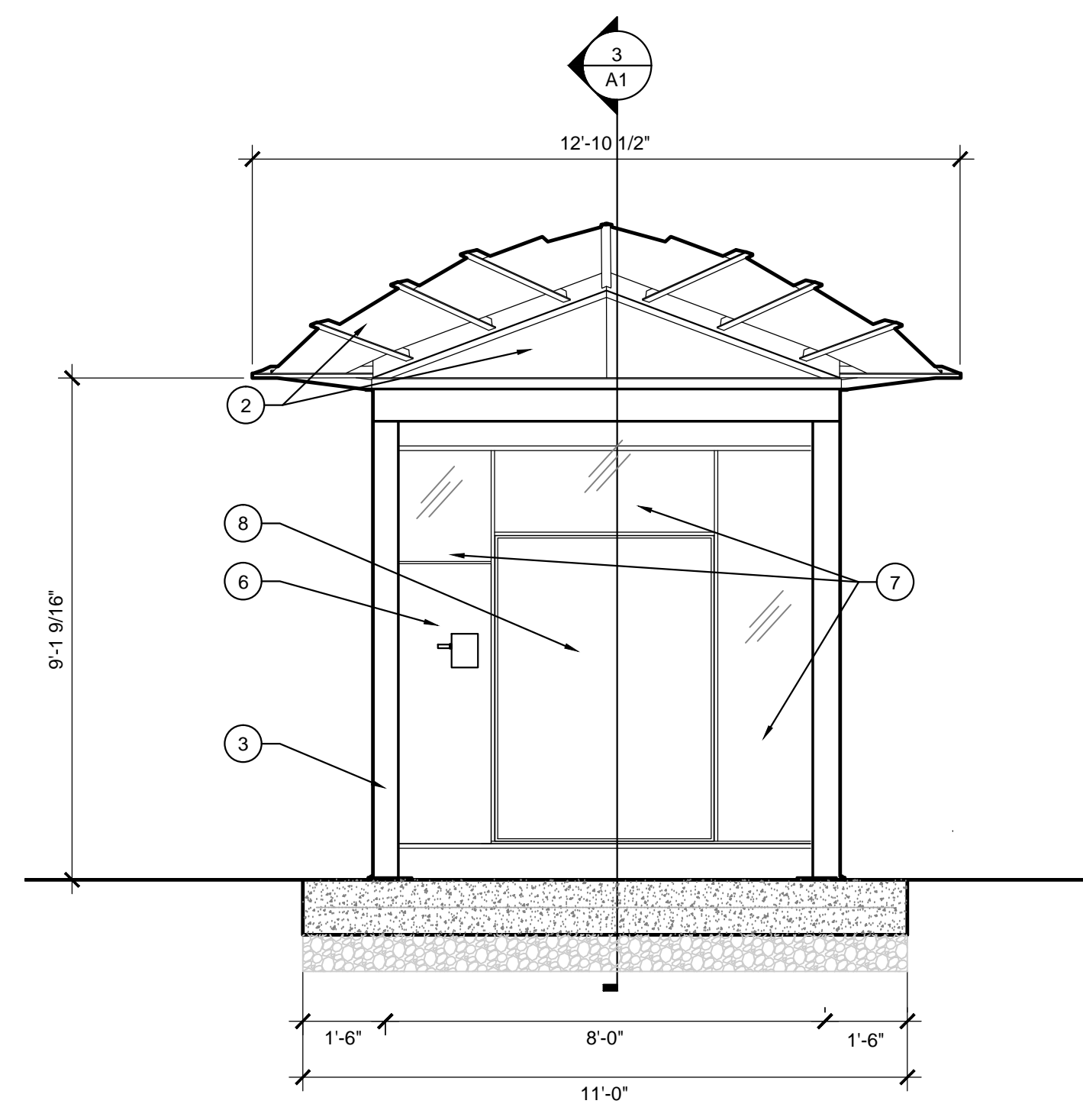
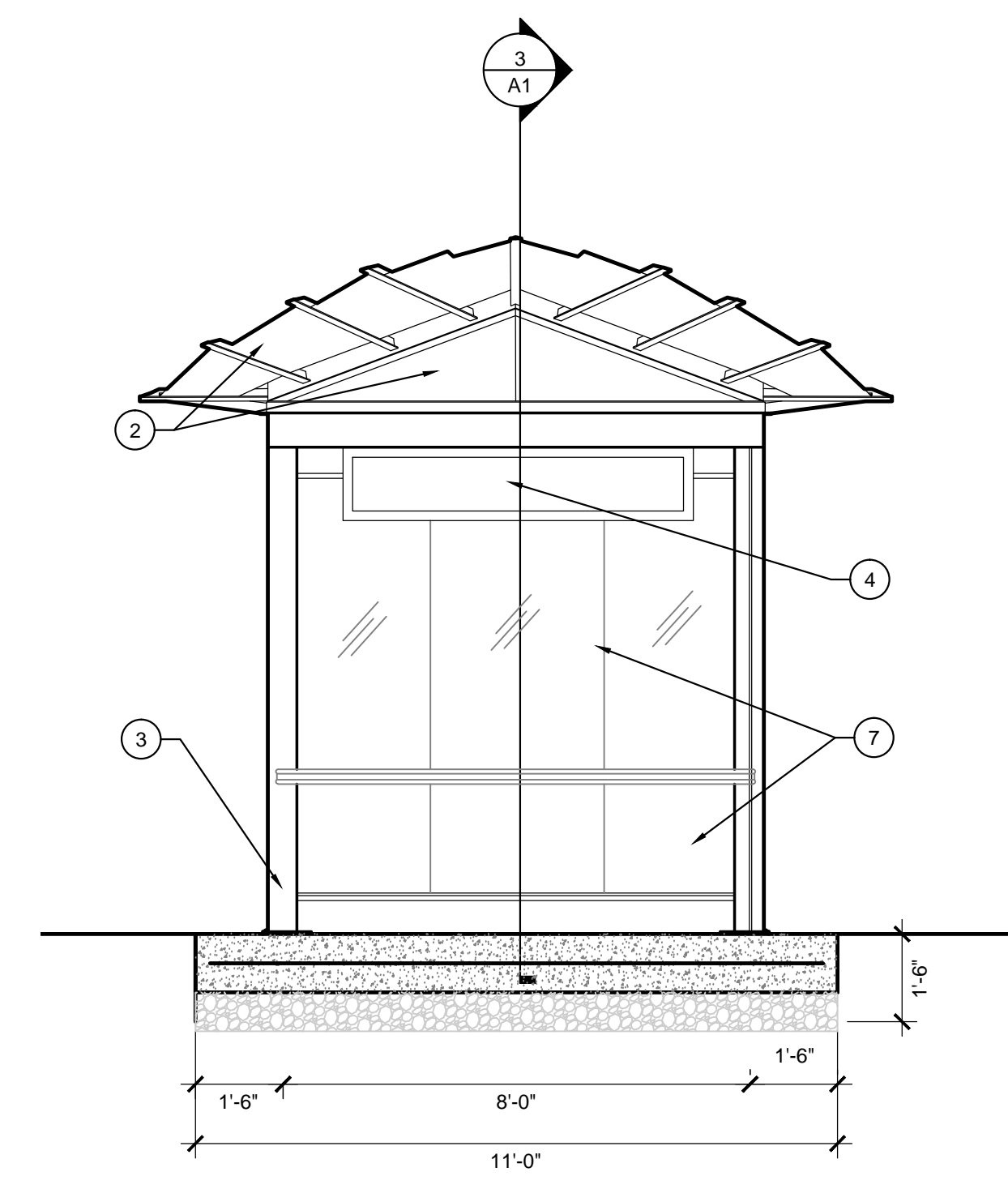


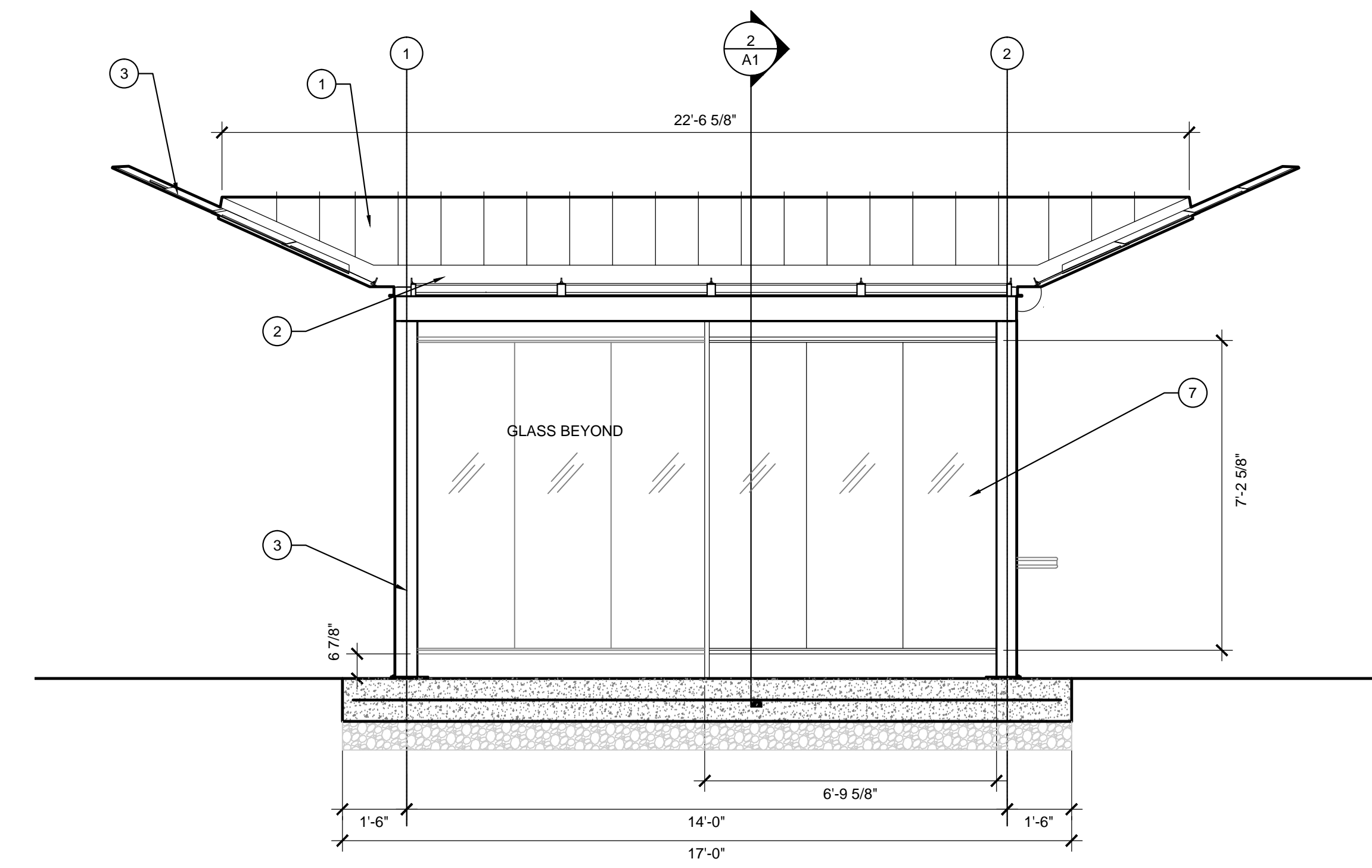
1 BACK ELEVATION
 3/8"=1'-0"



2 END ELEVATION
 3/8"=1'-0"



3 END ELEVATION
 3/8"=1'-0"



4 FRONT ELEVATION
 3/8"=1'-0"

EXTERIOR MATERIAL LEGEND	
①	PRE-FINISHED STANDING SEAM METAL ROOF MFR: BERRIDGE (OR APPROVED EQUIVALENT) MODEL: HIGH SEAM TEE PANEL 1 1/2" FINISH: CHARCOAL GRAY w/ KYNAR 500 FINISH
②	PERFORATED ALUMINUM PANEL
③	PAINTED STEEL, ROOF STRUCTURE, COLUMNS, COLUMN BASE PLATES, OUTRIGGERS, GLASS SUPPORTS & FRAMES MFR: SHERWIN WILLIAMS (OR APPROVED EQUIVALENT) COLOR: CHARCOAL GRAY or BLACK
④	DIGITAL READER BOARD FURNISHED BY OWNER MFR: TBD COLOR: BLACK
⑤	NOT USED
⑥	10 GA. STL. BOX FOR ELECTRICAL EQUIPMENT ACCESS, ATTACH TO STEEL SHELTER FRAME AS REQUIRED - COORDINATE W/ ELECT. DRAWINGS COLOR: CHARCOAL GRAY or BLACK
⑦	3/8" TEMPERED GLASS PANELS, W/ GREEN TINT MFR: LOCAL BUILD POLISH EXPOSED EDGES AS REQUIRED
⑧	6" DEEP DOUBLE SIDED ADVERTISING PANEL INTERNALLY ILLUMINATED

* ALL EXTERIOR BUILDING SEALANT SHALL BE SILICONE RUBBER SEALANT. COLORS SHALL MATCH THE ADJACENT BUILDING FINISH COLOR. WHERE THE SEPARATED MATERIALS DIFFER IN COLOR, THE SEALANT SHALL MATCH THE LIGHTER COLOR. SUBMIT SAMPLES FOR SELECTION AND APPROVAL W/ ALL OTHER EXTERIOR MATERIALS PRIOR TO CONSTRUCTION.

DOUGLAS AVE. TRANSIT
 SHELTER RELOCATION
 WICHITA, KS

LKArchitecture
 Architecture • Engineering • Planning • Interior Design • Landscape Architecture

LK Architecture Inc. ©
 345 RIVERVIEW, WICHITA, KS 67203
 Phone (316) 268-0230 Fax: (316) 268-0205

CONTACT: Jeffrey A. Best, ASLA
 PROJECT NUMBER:

18484

SHEET TITLE:
ELEVATIONS

SHEET NUMBER:

A2

SHELTER DRAWINGS ARE
 FOR REFERENCE ONLY