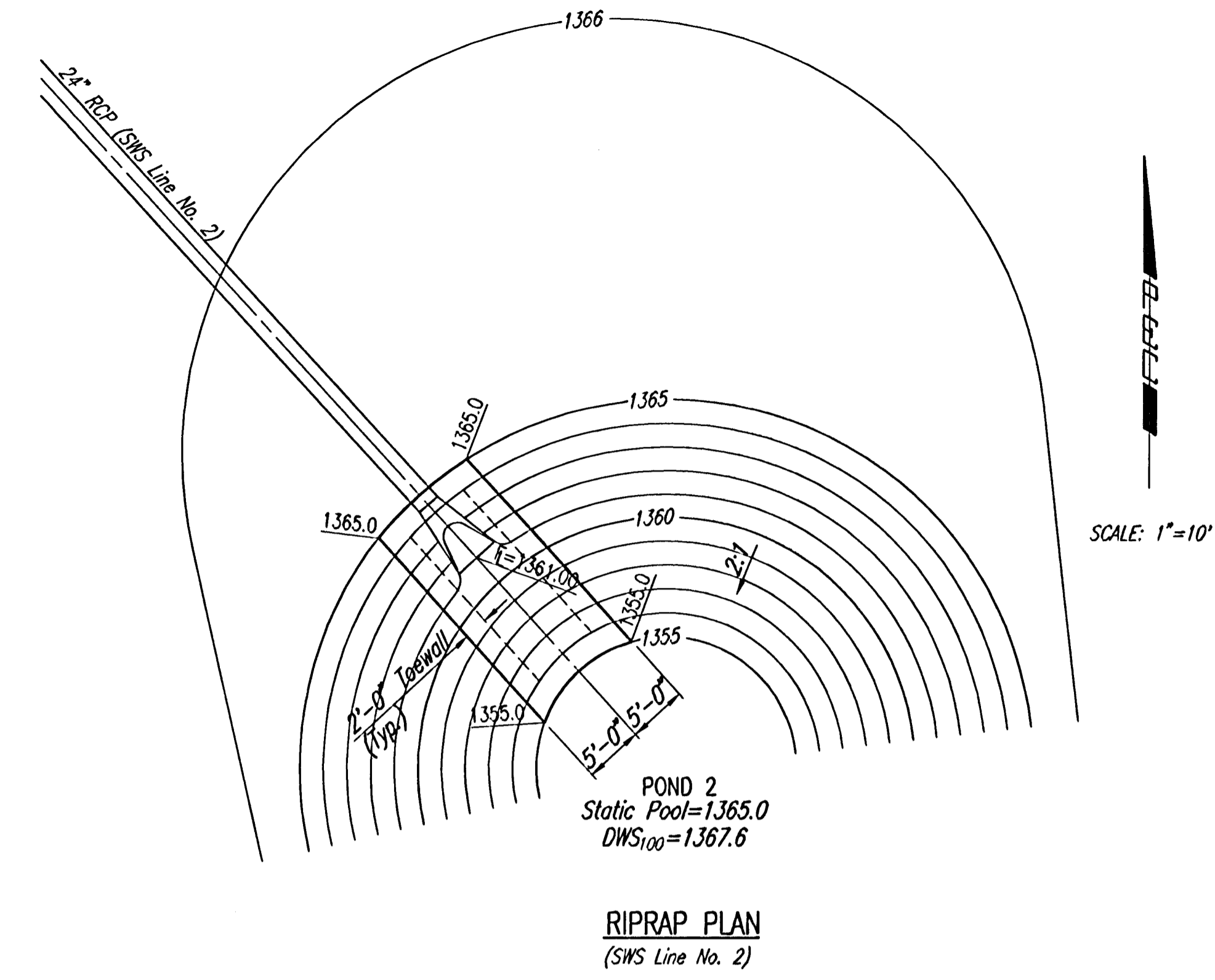
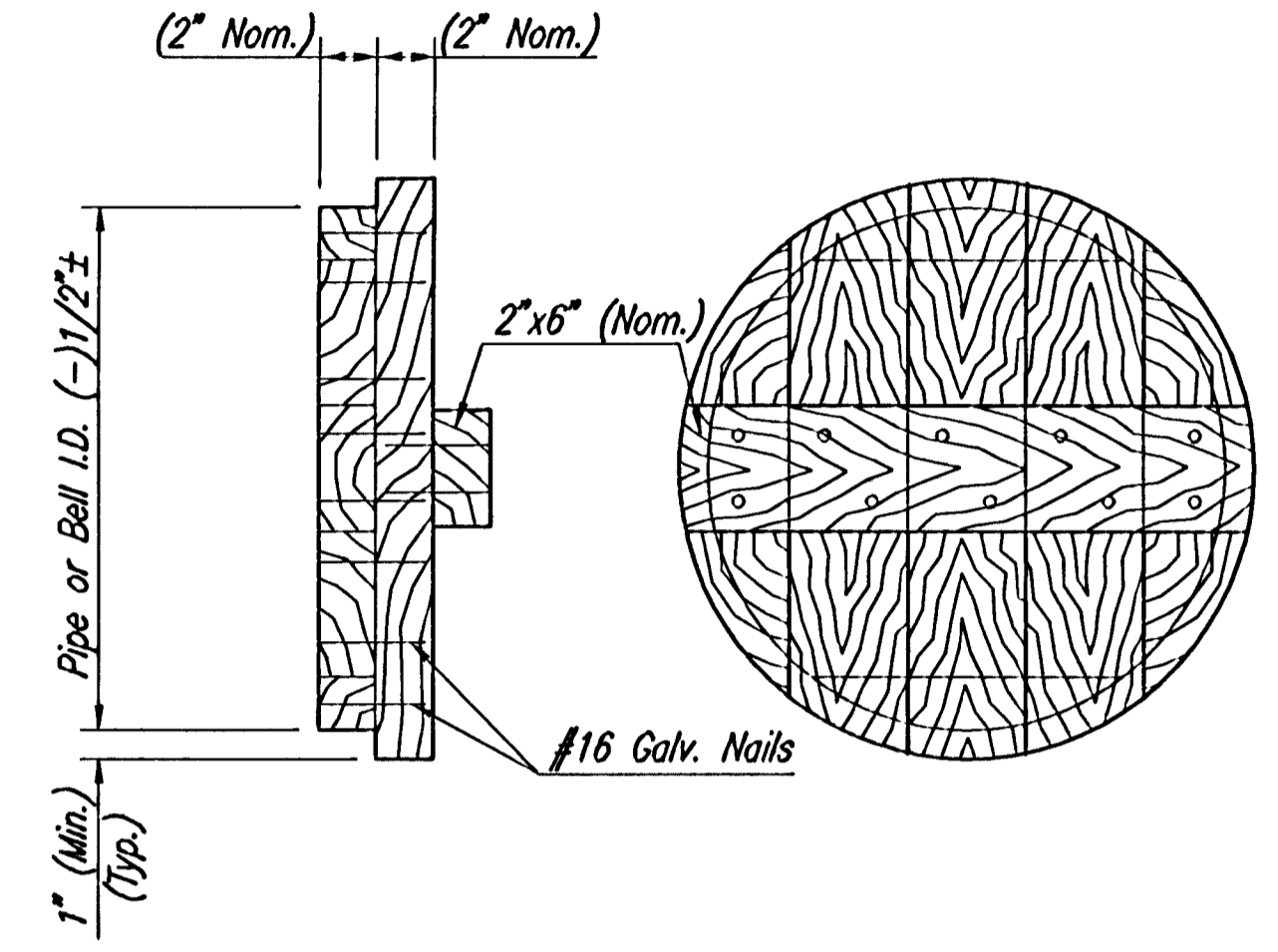


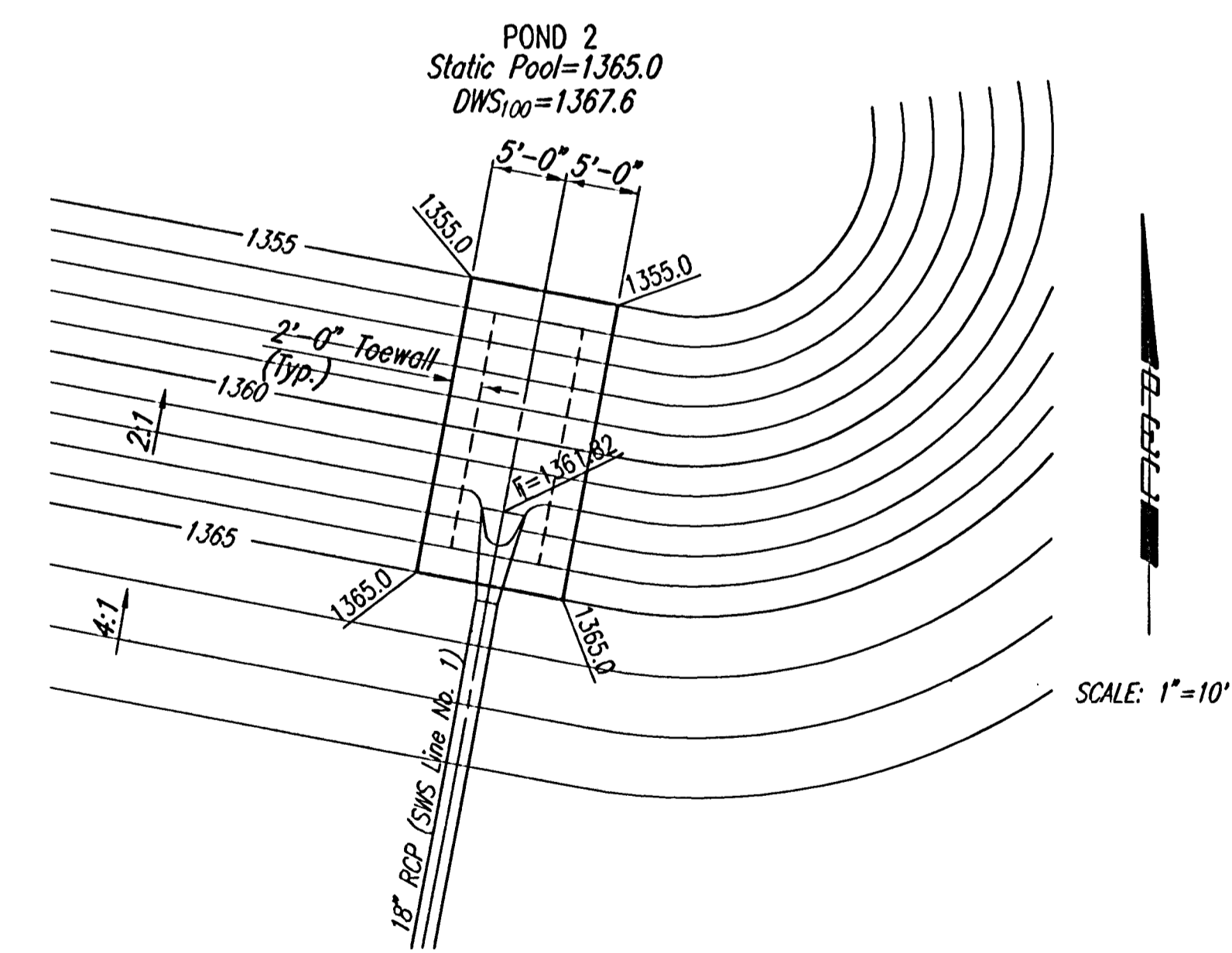
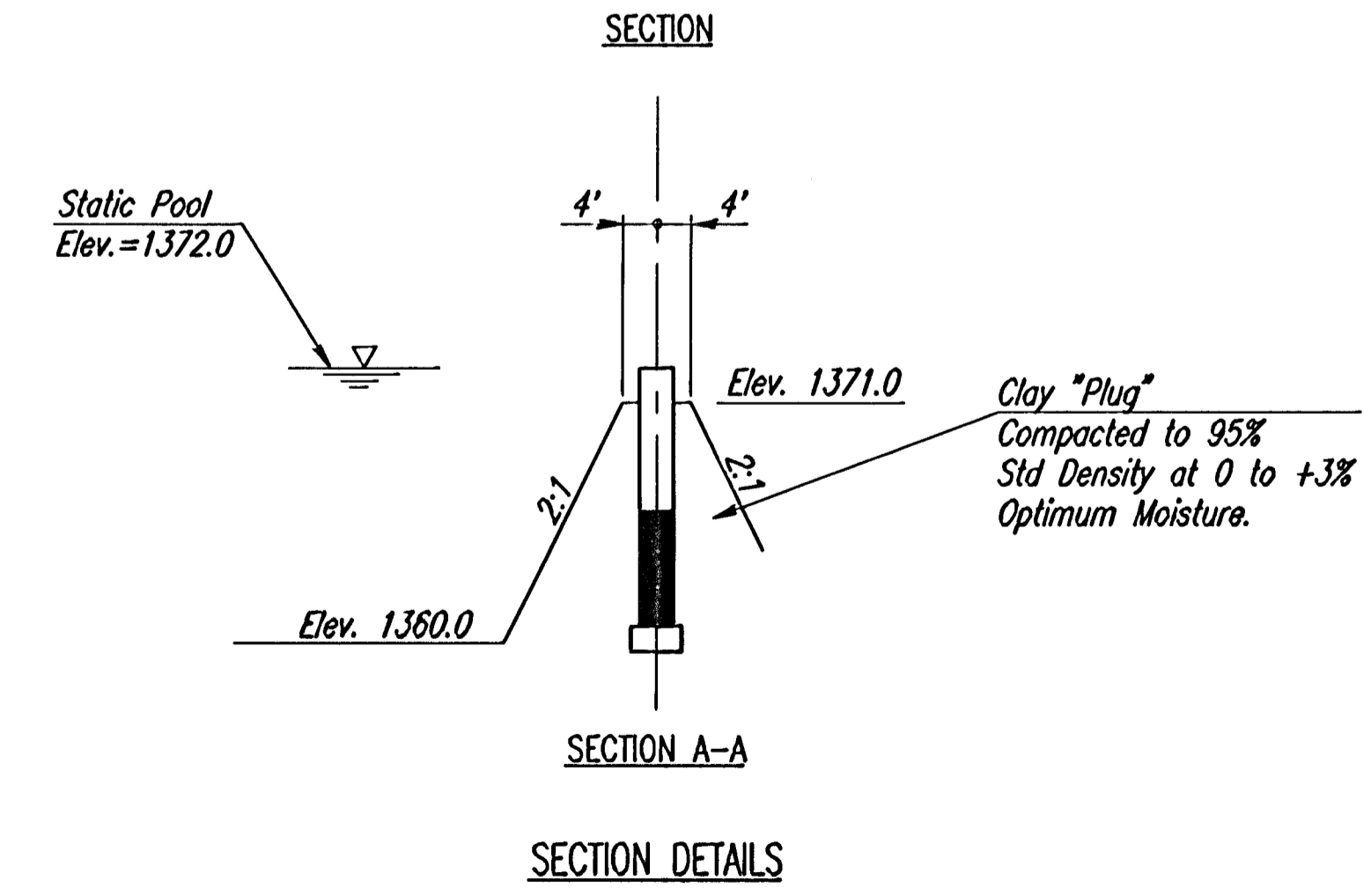
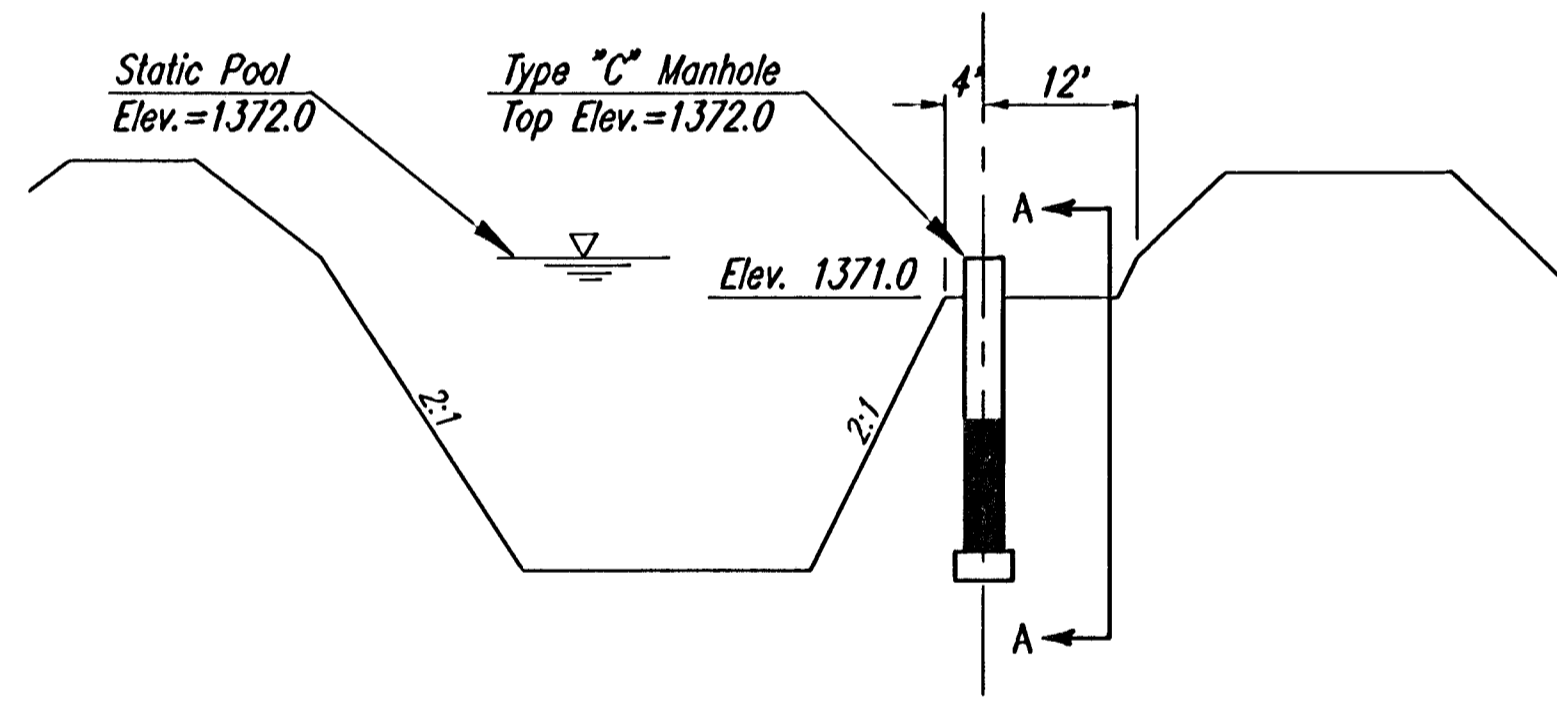
SCALE: 1"=10'



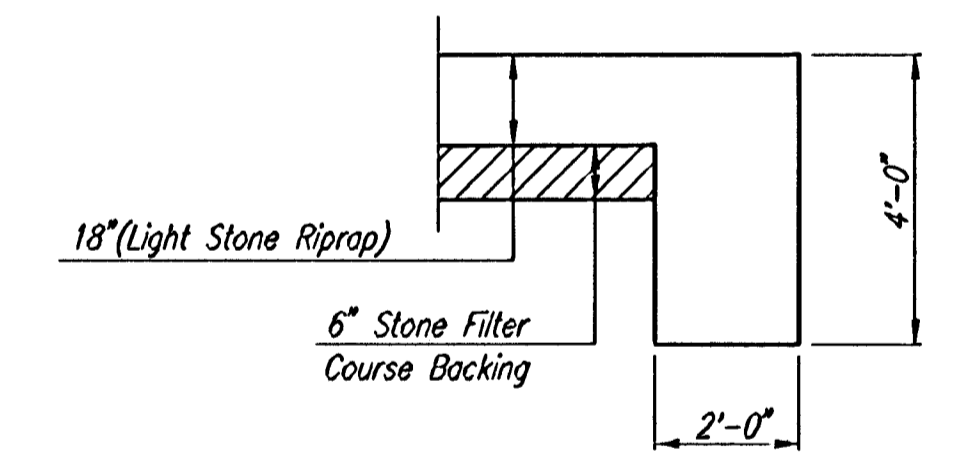
SCALE: 1"=10'



NOTE: THE FREE END OF ALL PIPE STUBS INSTALLED SHALL BE PLUGGED WITH A REDWOOD PLUG AS SHOWN. THE PLUGS SHALL BE CONSTRUCTED WITH CONSTRUCTION GRADE REDWOOD AND SECURELY NAILED TOGETHER WITH #16 GALVANIZED NAILS.



SCALE: 1"=10'



- NOTES
- ALL RIPRAP FOR THIS PROJECT SHALL BE NATURAL STONE. NEITHER BROKEN CONCRETE, FABRIC ENVELOPE, NOR PREMIXED DRY PACKAGED CONCRETE BAG ALTERNATES WILL BE ALLOWED.
 - TOEWALLS SHALL BE INSTALLED ALONG ALL EDGES OF STONE RIPRAP.
 - GROUTING OF THE SURFACE OF THE RIPRAP SHALL NOT BE PERFORMED. GROUTING OF THE TOEWALLS SHALL BE PERFORMED PER CITY SPECIFICATIONS.

Printed 10-23-2006 6:02:10 PM by BMM
C:\2006\06572\000\06572-000-C-RIPRAP.DWG

No.	Revision	By	Date
OAK CREEK 3RD			
MISCELLANEOUS DRAINAGE DETAILS			
Professional Engineering Consultants, P.A. 303 S. TOPEKA • WICHITA, KANSAS 67202 316-262-2691 • FAX 316-262-3003			
Designed by	BDB, BMM	Job No.	35-06572-000
Drawn by	BJS, TAT	Date	February 2006
			Sheet 24 of 45