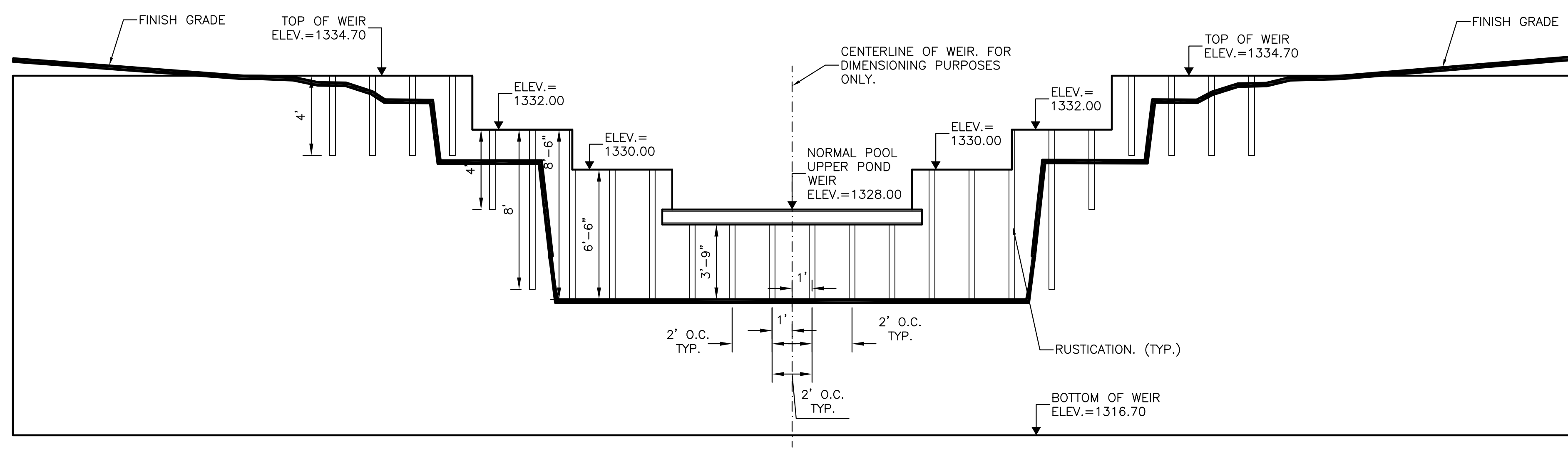
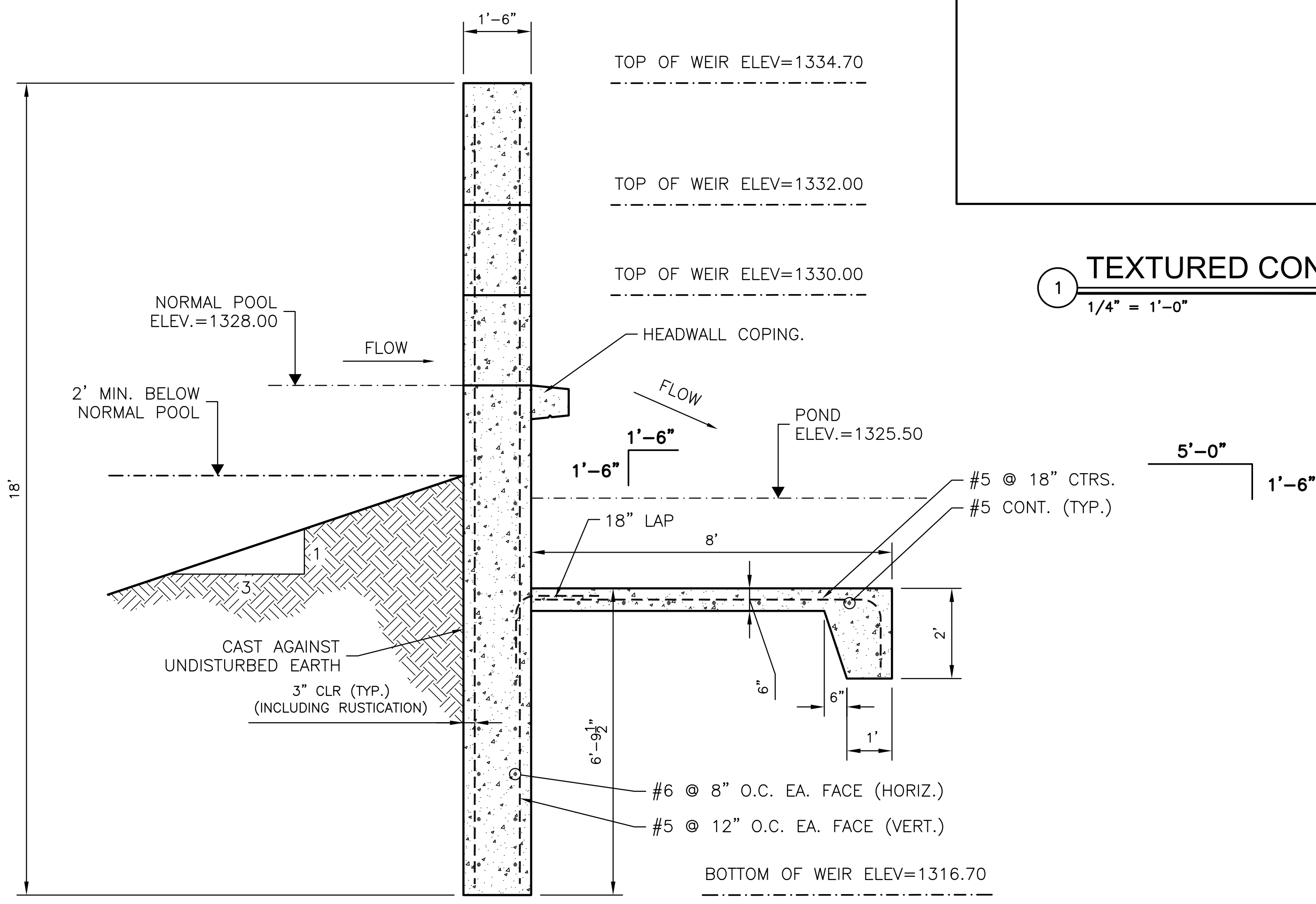


PLOTDATE: Wednesday, October 24, 2018 @ 11:56AM

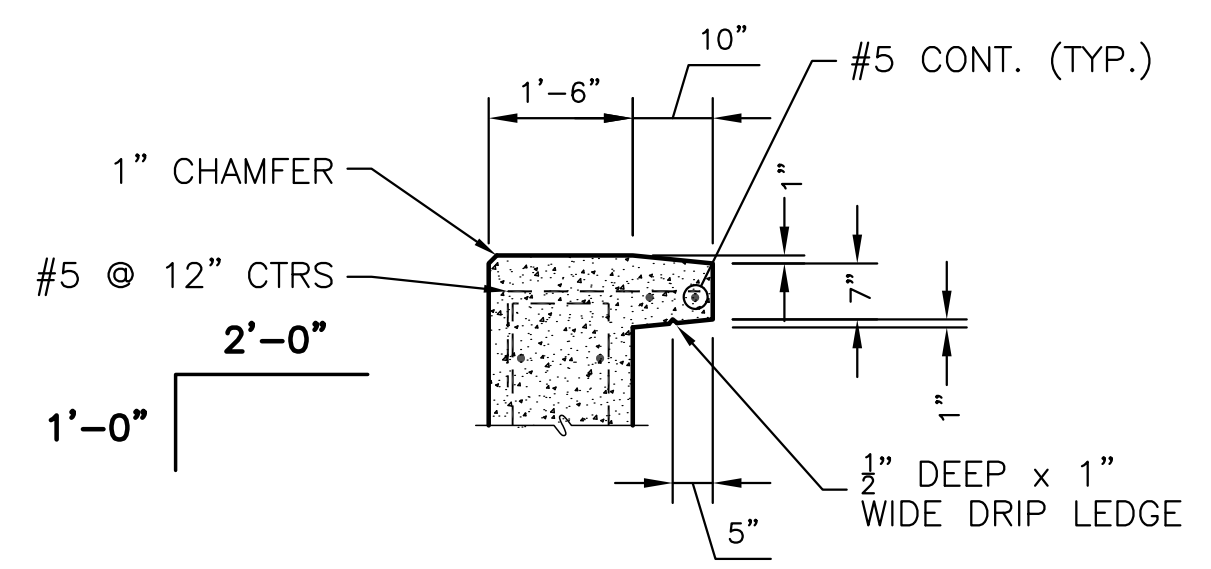
J:\PROJECTS\2018\1801010221_PERFECTION_AUBURN_LAKES_18221_CAD\SHOTS\05_CIVIL\GROUP\PART B\18221-05-1201.DWG



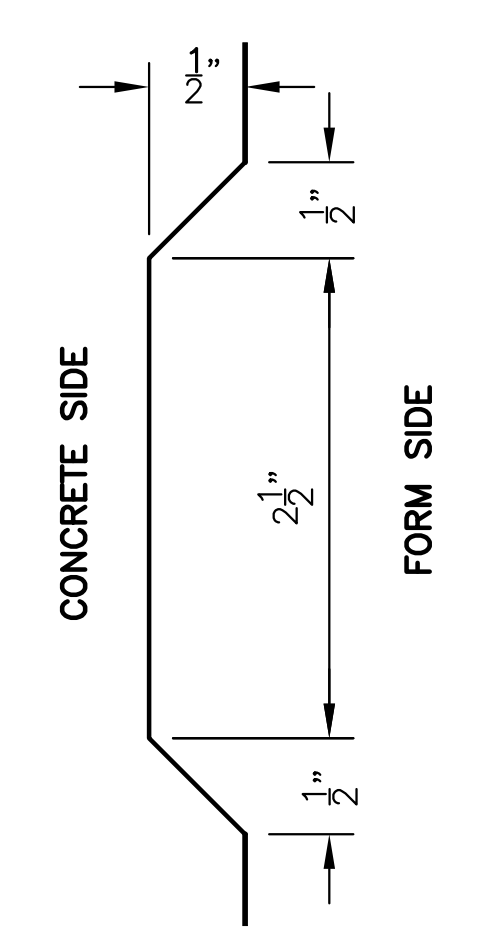
1 TEXTURED CONCRETE SURFACE - WEIR 1 DOWNSTREAM ELEVATION
1/4" = 1'-0"



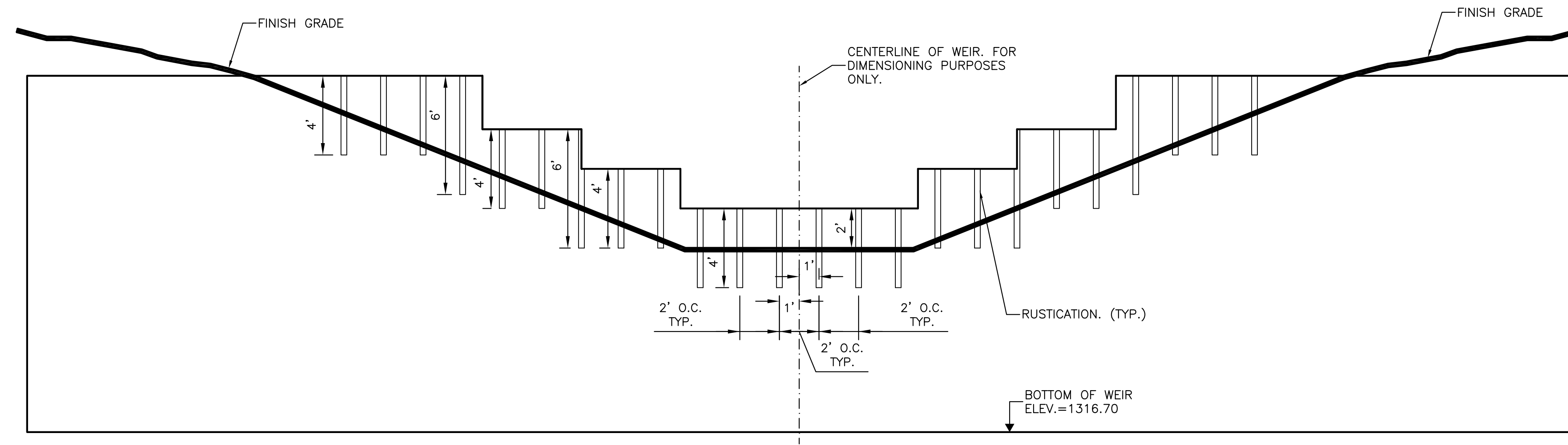
A SECTION WEIR 1
1/2" = 1'-0"



2 HEADWALL COPING
1/2" = 1'-0"



3 WEIR 1 RUSTICATION
1" = 1'



4 TEXTURED CONCRETE SURFACE - WEIR 1 UPSTREAM ELEVATION
1/4" = 1'-0"

©2018 MKEC Engineering All Rights Reserved www.mkec.com
These drawings and their contents, including, but not limited to, all concepts, designs, & ideas are the exclusive property of MKEC Engineering (MKEC), and may not be used or reproduced in any way without the express consent of MKEC.

WEIR 1 SECTION & RUSTICATION

PROJECT NO.	468-85308
DATE	OCT. 2018
SCALE	AS SHOWN
DESIGNED	DML
DRAWN	DML
CHECKED	JAG

NO.	REVISION	DATE

SHEET NO.