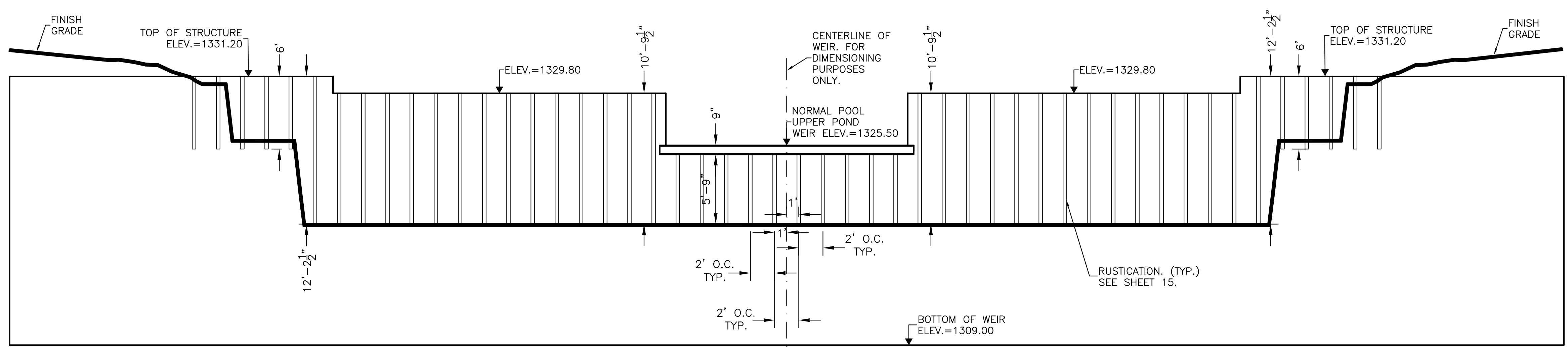
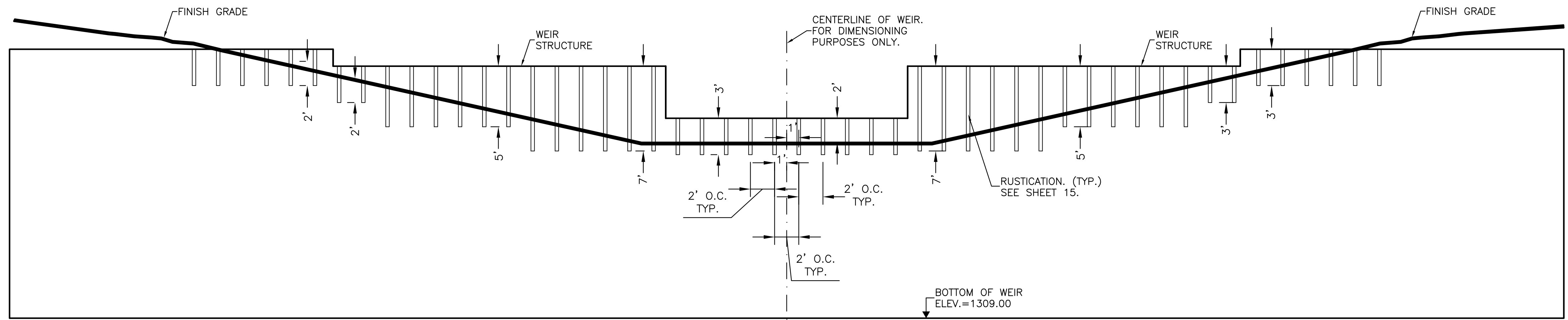


PLOT123: Wednesday, October 24, 2018 @ 11:56AM

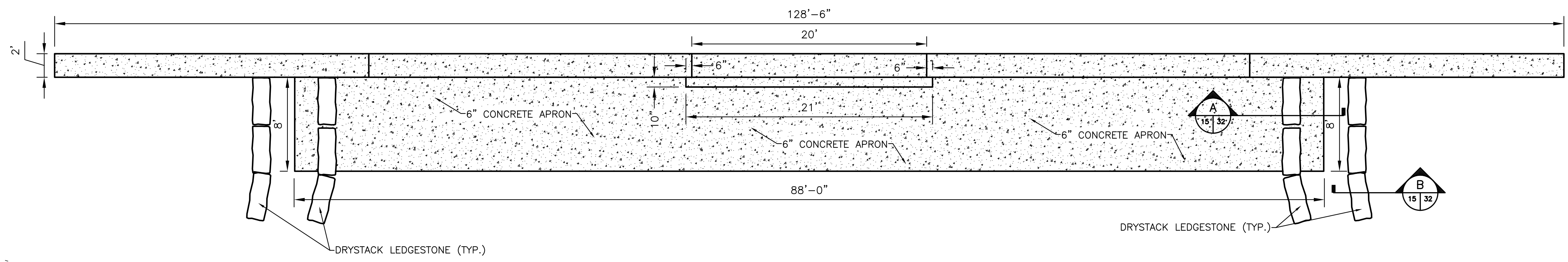
J:\PROJECTS\2018\1601010221_PERFECTION_AUBURN_LAKES_16221_CAD\SHOTS\05_CIVIL\GRO\PART B\16221-05-1002.DWG



1 TEXTURED CONCRETE SURFACE - DOWNSTREAM ELEVATION
3/16" = 1'-0"



2 TEXTURED CONCRETE SURFACE - UPSTREAM ELEVATION
3/16" = 1'-0"



3 WEIR PLAN
3/16" = 1'-0"

©2018
MKEC Engineering
All Rights Reserved
www.mkec.com
These drawings and their contents, including, but not limited to, all concepts, designs, & ideas are the exclusive property of MKEC Engineering (MKEC), and may not be used or reproduced in any way without the express consent of MKEC.

WEIR 2 PLAN & RUSTICATION

PROJECT NO.	468-85308
DATE	OCT. 2018
SCALE	AS SHOWN
DESIGNED	DML
DRAWN	DML
CHECKED	JAG

NO.	REVISION	DATE

SHEET NO.