

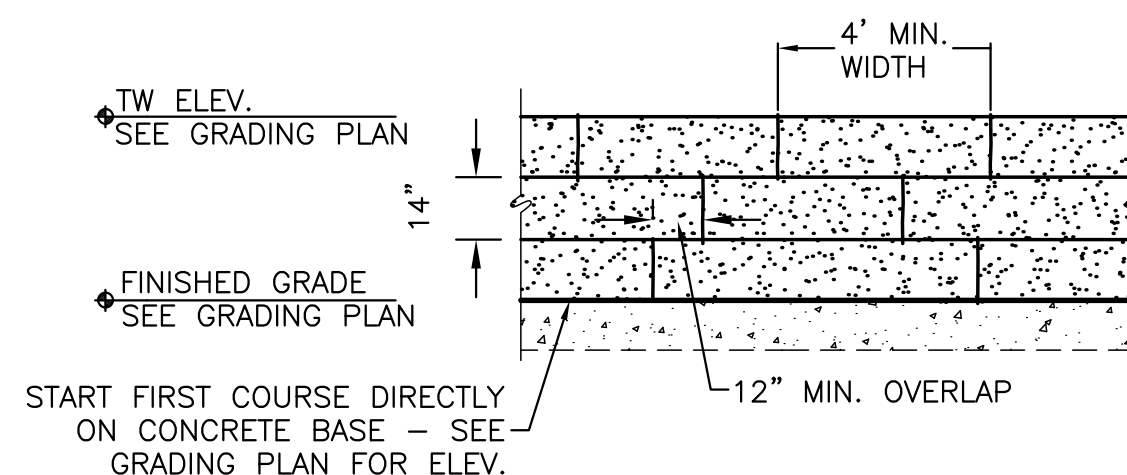
PLOTED: Wednesday, October 24, 2018 @ 11:58AM

J:\PROJECTS\2018\1801010221_PERFECTION_AUBURN_LAKES_18221_CAD\SHOTS\05_CIVIL\GROUP\PART B\18221-05-1802.DWG

GENERAL NOTES:

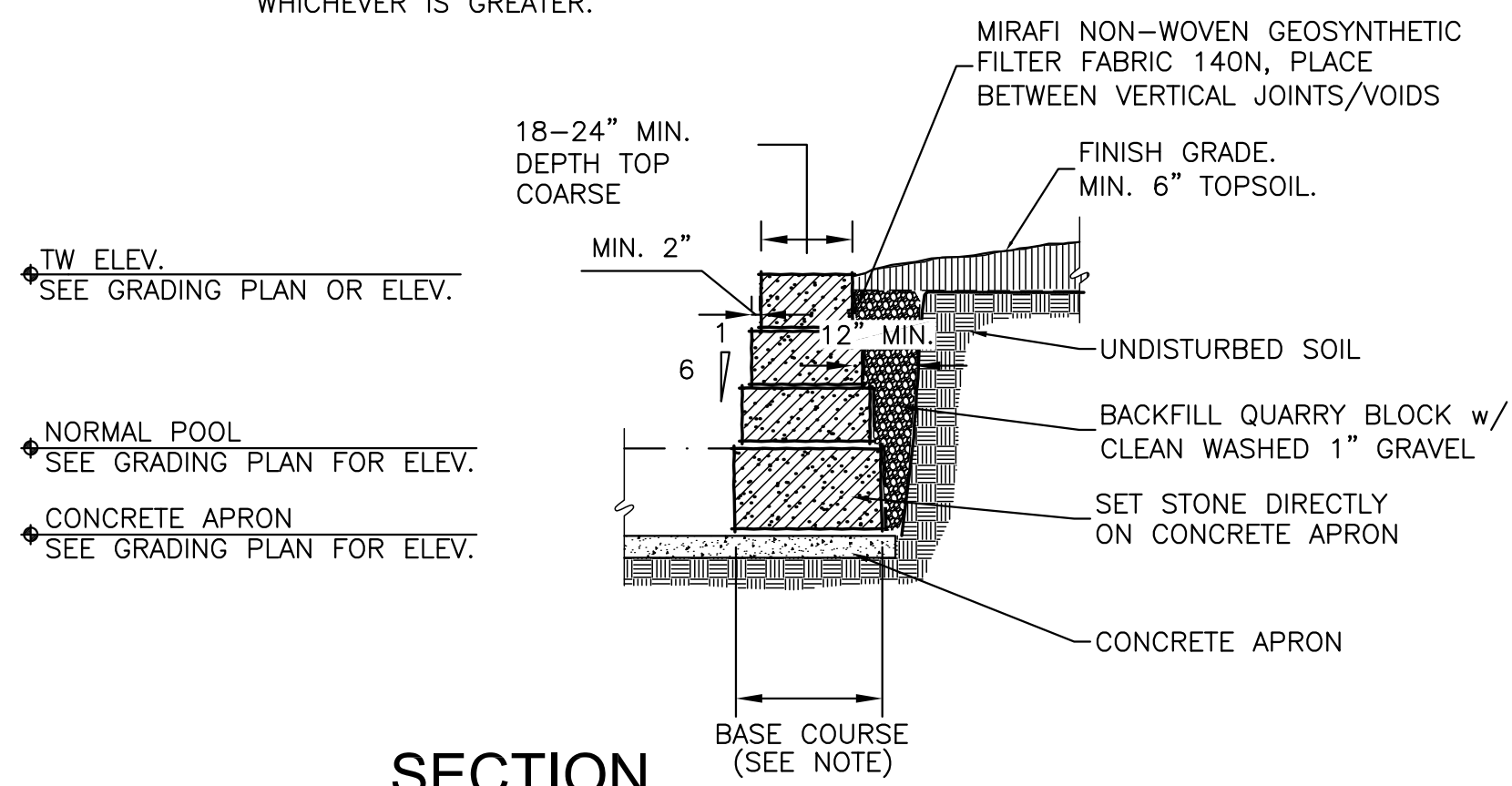
- DRY STACK QUARRY BLOCK STONE**
 SUPPLIER - U.S. STONE INDUSTRIES
 CONTACT: HELEN PAULY
 120 N. 6TH ST.
 ST. MARYS, KANSAS 66536
 1-800-255-9399
 www.usstoneindustries.com
 OR
 SUPPLIER- RIVERVIEW STONE, LLC
 901 E OLD 56 HWY
 OLATHE, KS 66061
 913-375-1414
 www.riverviewstone.net

- STONE** - MATCH EXISTING STONE WALL COMPLETED DURING PART "A" PROJECT.
- 14" TOP LEDGE COTTONWOOD
 AVG. LENGTH - 4' TO 6'
 MIN. COMP. STRENGTH - 8,000 PSI
- PLACEMENT**
 -MINIMUM STONE OVERLAP IN WALL COURSE SHALL BE 12"
 -WALL GAP BETWEEN VERTICAL JOINTS SHALL BE NO MORE THAN 1" MAX., WHERE NECESSARY FILL MATERIAL (SMALL ROCK) SHALL BE USED TO FILL GAP. THESE AREAS SHALL BE KEPT TO A MINIMUM, FIELD VERIFY w/ OWNER'S REPRESENTATIVE PRIOR TO FINAL ACCEPTANCE.



ELEVATION

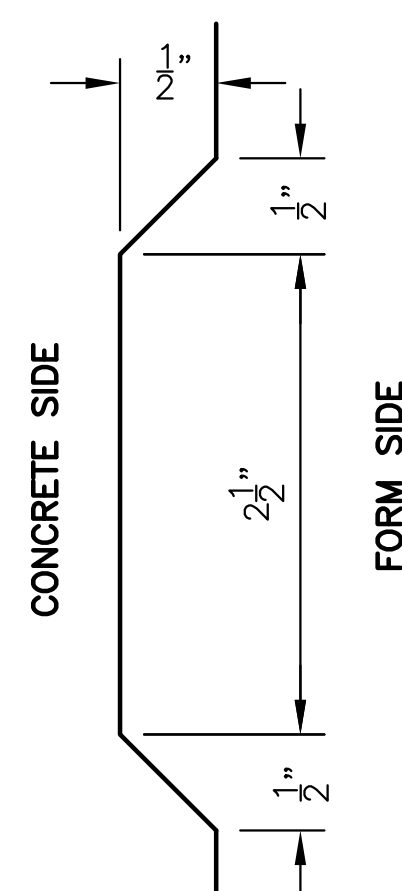
NOTE: THE STONE WALL WIDTH @ THE TOP COURSE OF ALL WALLS SHALL BE 18" MIN., BATTERING DOWN TO A BASE COURSE MIN. WIDTH OF 2' OR ONE HALF THE HEIGHT OF THE WALL, WHICHEVER IS GREATER.



SECTION

**CONCRETE APRON
 DRY STACK RETAINING WALL**

A
 1/4" = 1'-0"

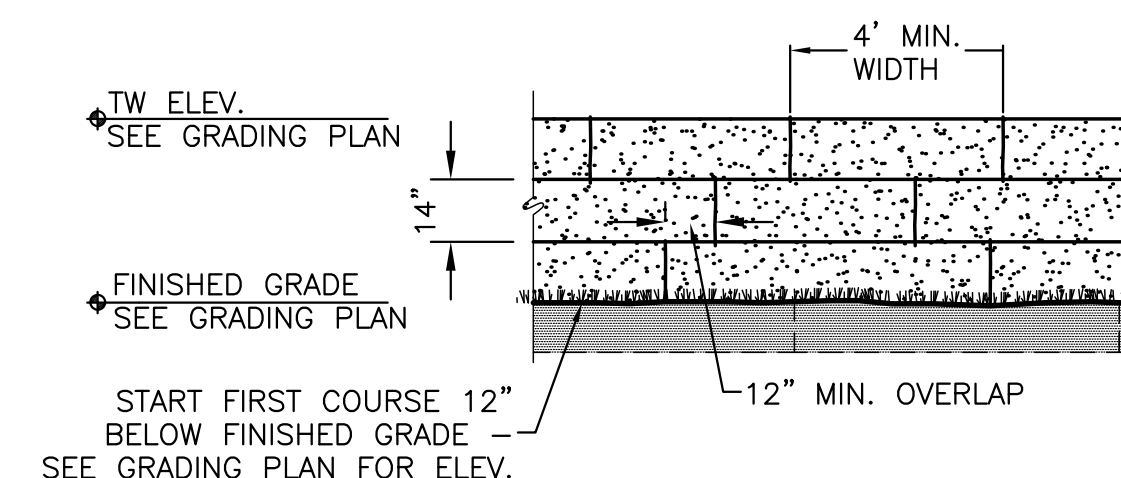


1 WEIR RUSTICATION
 Custom

GENERAL NOTES:

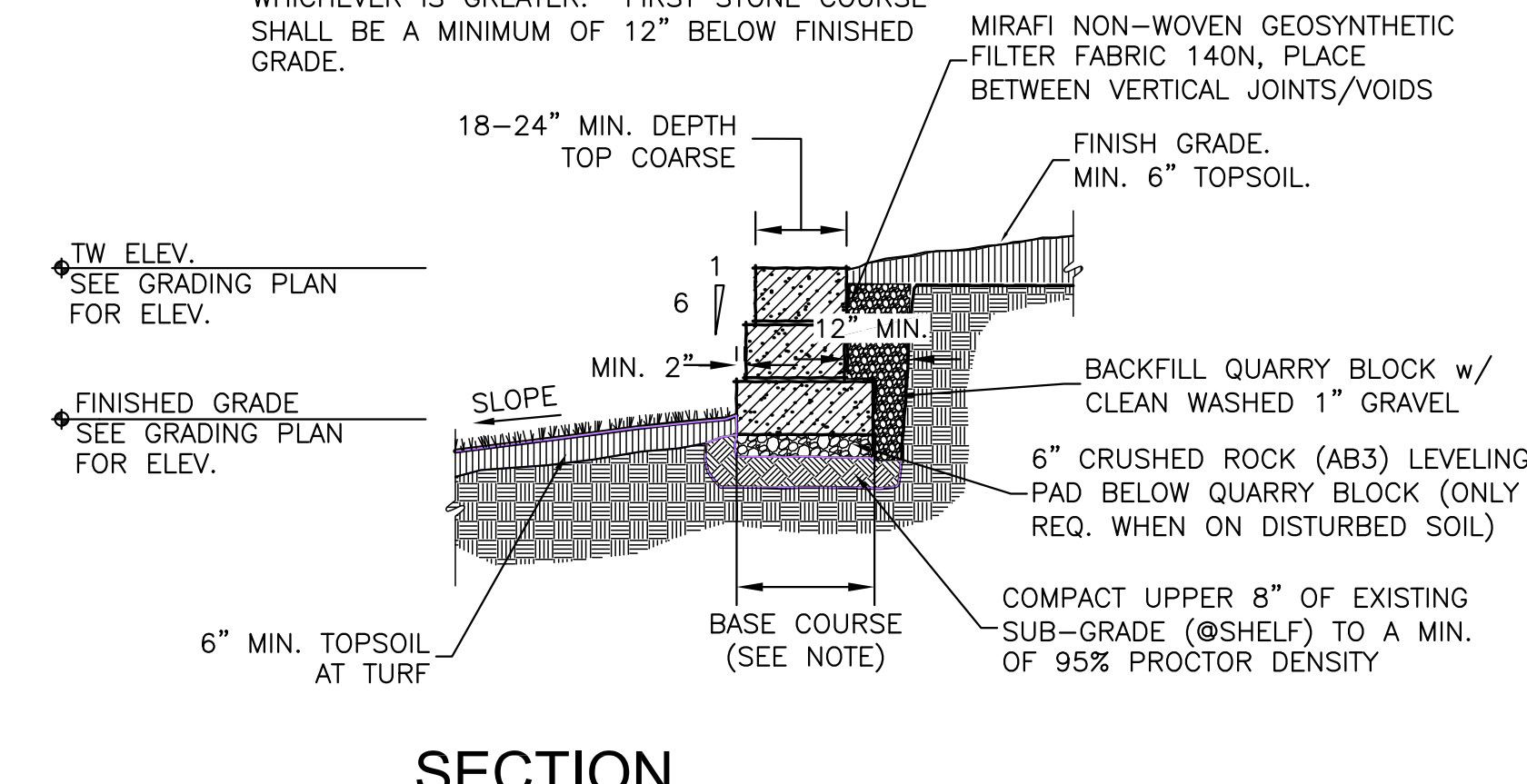
- DRY STACK QUARRY BLOCK STONE**
 SUPPLIER - U.S. STONE INDUSTRIES
 CONTACT: HELEN PAULY
 120 N. 6TH ST.
 ST. MARYS, KANSAS 66536
 1-800-255-9399
 www.usstoneindustries.com
 OR
 SUPPLIER- RIVERVIEW STONE, LLC
 901 E OLD 56 HWY
 OLATHE, KS 66061
 913-375-1414
 www.riverviewstone.net

- STONE** - MATCH EXISTING STONE WALL COMPLETED DURING PART "A" PROJECT.
- 14" TOP LEDGE COTTONWOOD
 AVG. LENGTH - 4' TO 6'
 MIN. COMP. STRENGTH - 8,000 PSI
- PLACEMENT**
 -MINIMUM STONE OVERLAP IN WALL COURSE SHALL BE 12"
 -WALL GAP BETWEEN VERTICAL JOINTS SHALL BE NO MORE THAN 1" MAX., WHERE NECESSARY FILL MATERIAL (SMALL ROCK) SHALL BE USED TO FILL GAP. THESE AREAS SHALL BE KEPT TO A MINIMUM, FIELD VERIFY w/ OWNER'S REPRESENTATIVE PRIOR TO FINAL ACCEPTANCE.



ELEVATION

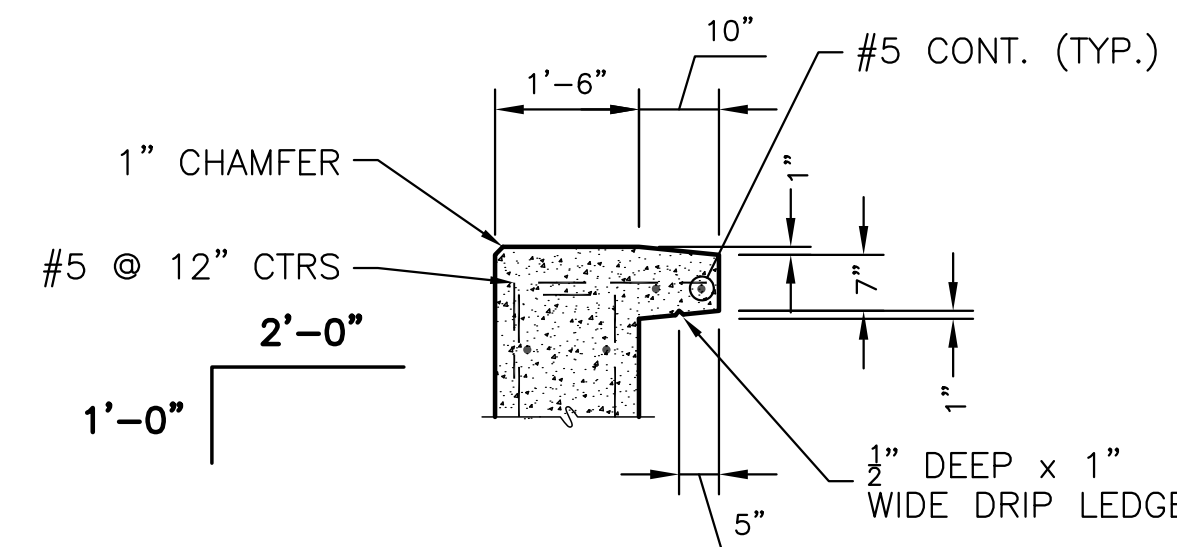
NOTE: THE STONE WALL WIDTH @ THE TOP COURSE OF ALL WALLS SHALL BE 18" MIN., BATTERING DOWN TO A BASE COURSE MIN. WIDTH OF 2' OR ONE HALF THE HEIGHT OF THE WALL, WHICHEVER IS GREATER. FIRST STONE COURSE SHALL BE A MINIMUM OF 12" BELOW FINISHED GRADE.



SECTION

DRY STACK RETAINING WALL

B
 1/4" = 1'-0"



2 HEADWALL COPING
 1/2" = 1'-0"



**STORM WATER DRAIN PLANS FOR
 AUBURN LAKES ADDITION
 PART B**

©2018
 MKEC Engineering
 All Rights Reserved
 www.mkec.com
 These drawings and their contents, including, but not limited to, all concepts, designs, & ideas are the exclusive property of MKEC Engineering (MKEC), and may not be used or reproduced in any way without the express consent of MKEC.

**WEIR 1 & 2
 DETAILS**

PROJECT NO.	468-85308
DATE	OCT. 2018
SCALE	AS SHOWN
DESIGNED	DML
DRAWN	DML
CHECKED	JAG

NO.	REVISION	DATE
-----	----------	------

SHEET NO.