

PLOTTER: Wednesday, October 24, 2018 @ 09:26AM

J:\PROJECTS\2018\1601010221 - PERFECTION, AUBURN LAKES - 16221 CAD\SHOTS\05 CIVIL\GRD\PART B\16221-05-1204.DWG

STORM WATER DRAIN PLANS FOR  
**AUBURN LAKES ADDITION**  
PART B

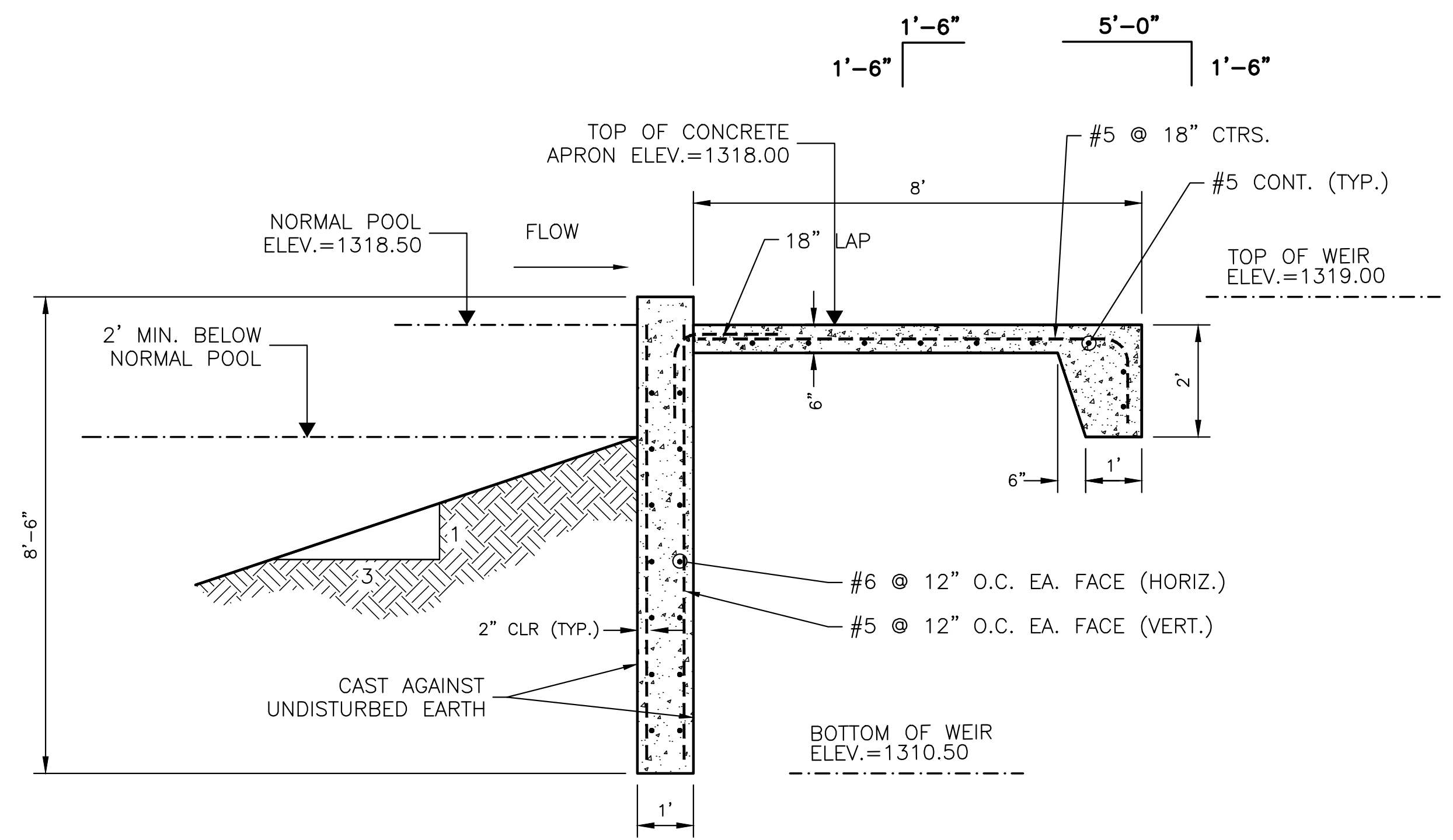
©2018  
MKEC Engineering  
All Rights Reserved  
www.mkec.com  
These drawings and their contents, including, but not limited to, all concepts, designs, & ideas are the exclusive property of MKEC Engineering (MKEC), and may not be used or reproduced in any way without the express consent of MKEC.

**WEIR 4 PLAN & ELEVATION**

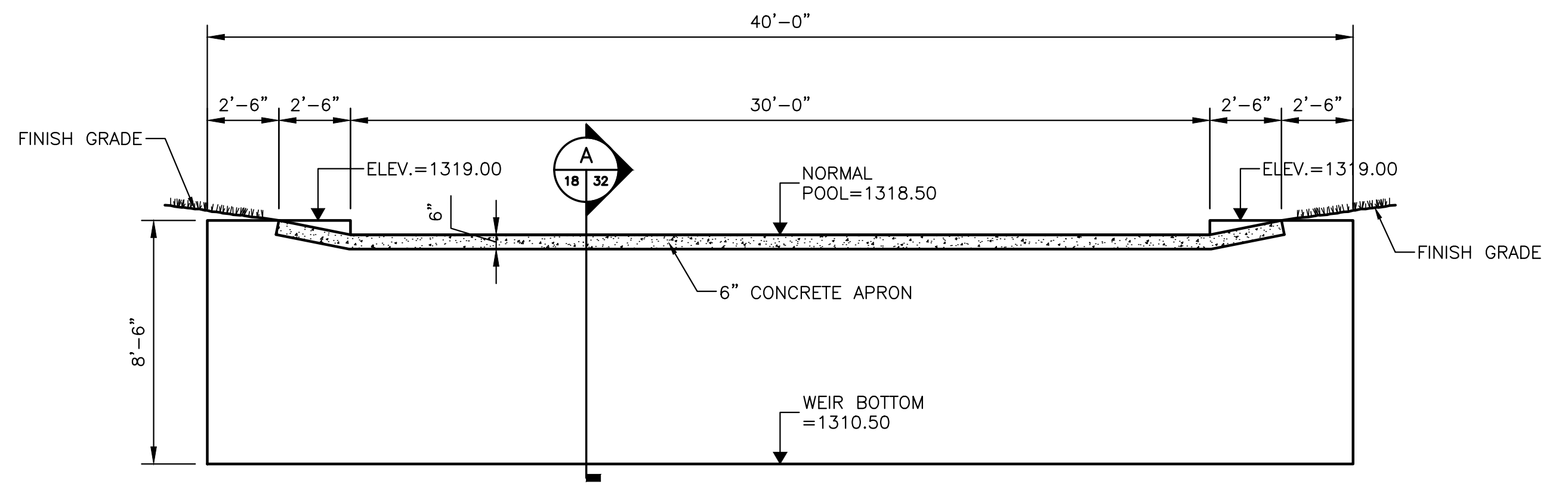
PROJECT NO.	468-85308
DATE	OCT. 2018
SCALE	AS SHOWN
DESIGNED	DML
DRAWN	DML
CHECKED	JAG

NO.	REVISION	DATE

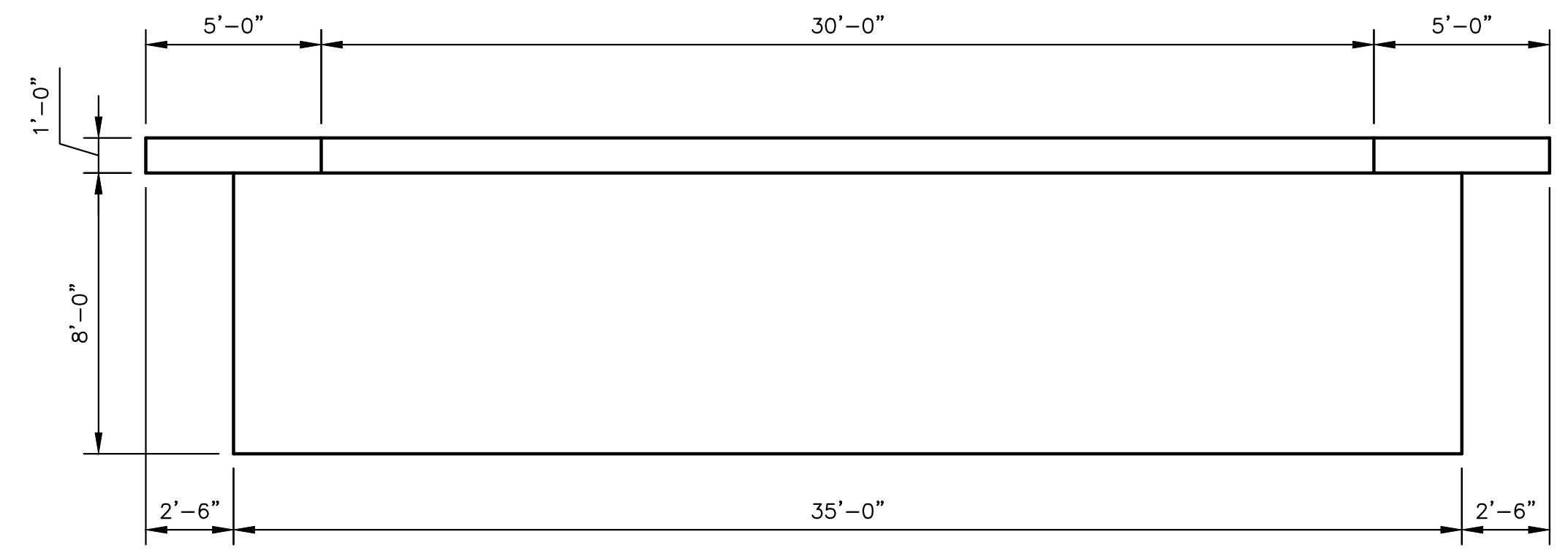
SHEET NO.  
**18 OF 32**



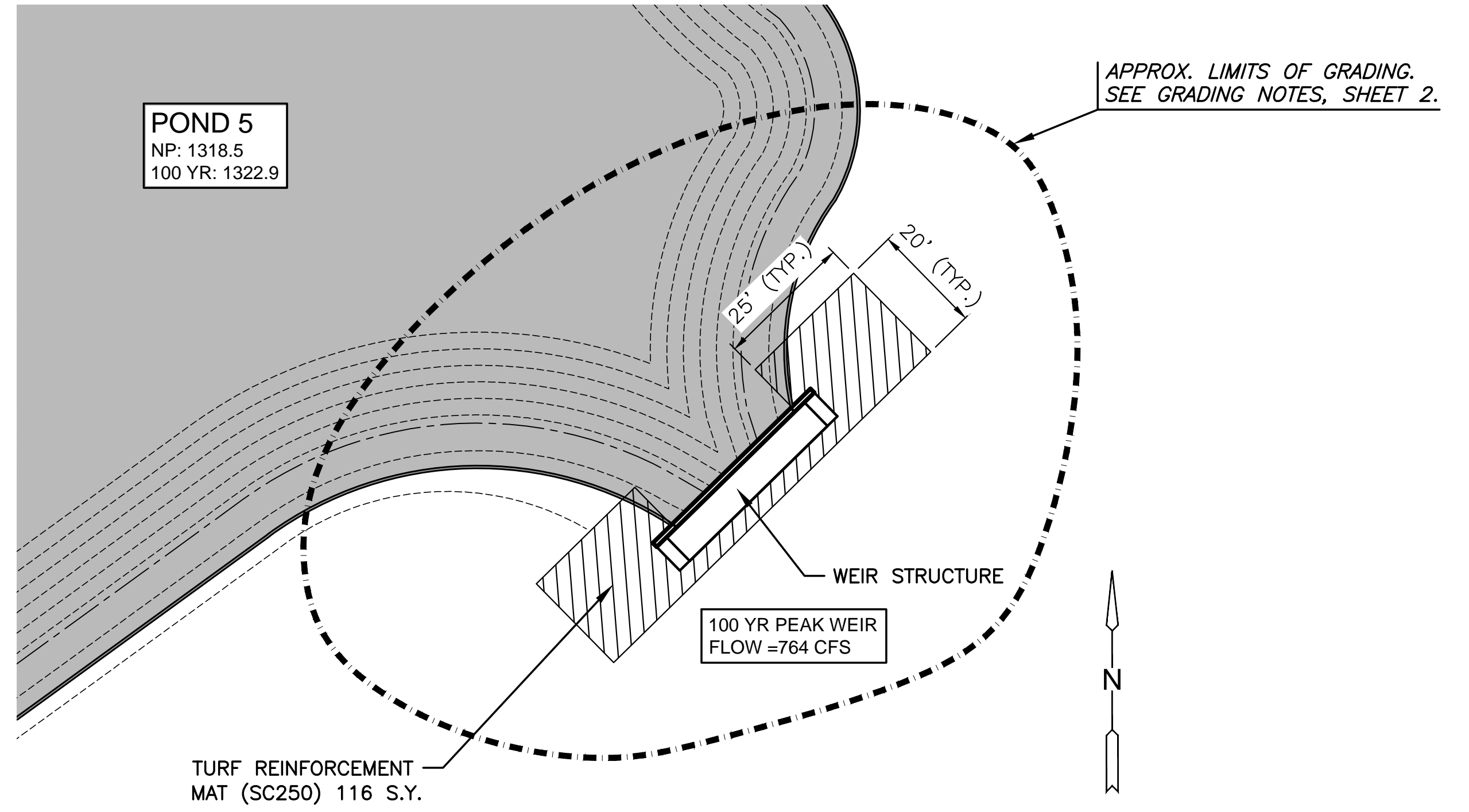
**SECTION WEIR 4**  
1/2" = 1'-0"



**WEIR 4 DOWNSTREAM ELEVATION**  
1/4" = 1'-0"



**WEIR 4 PLAN**  
1/4" = 1'-0"



**PLAN VIEW**

**LEGEND**

- 1250 --- EXISTING CONTOUR
- 1250 — PROPOSED CONTOUR