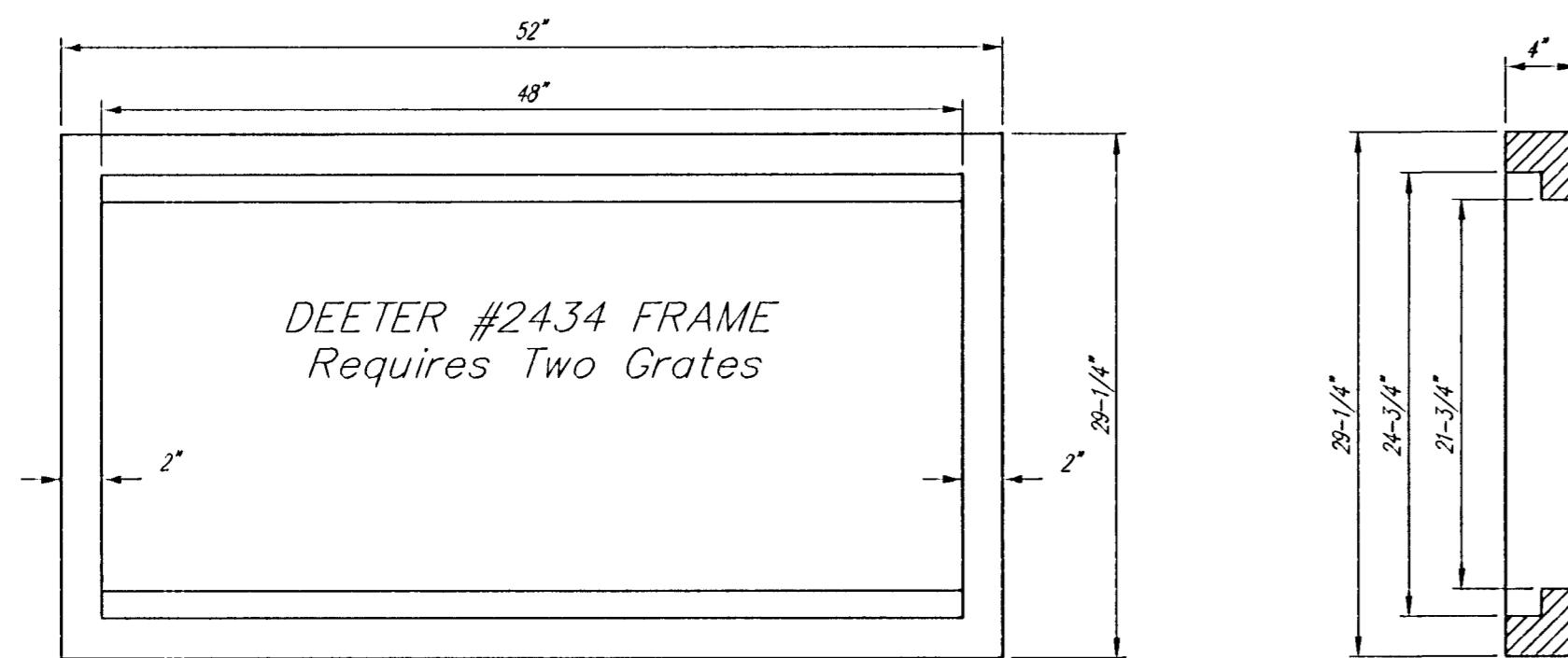
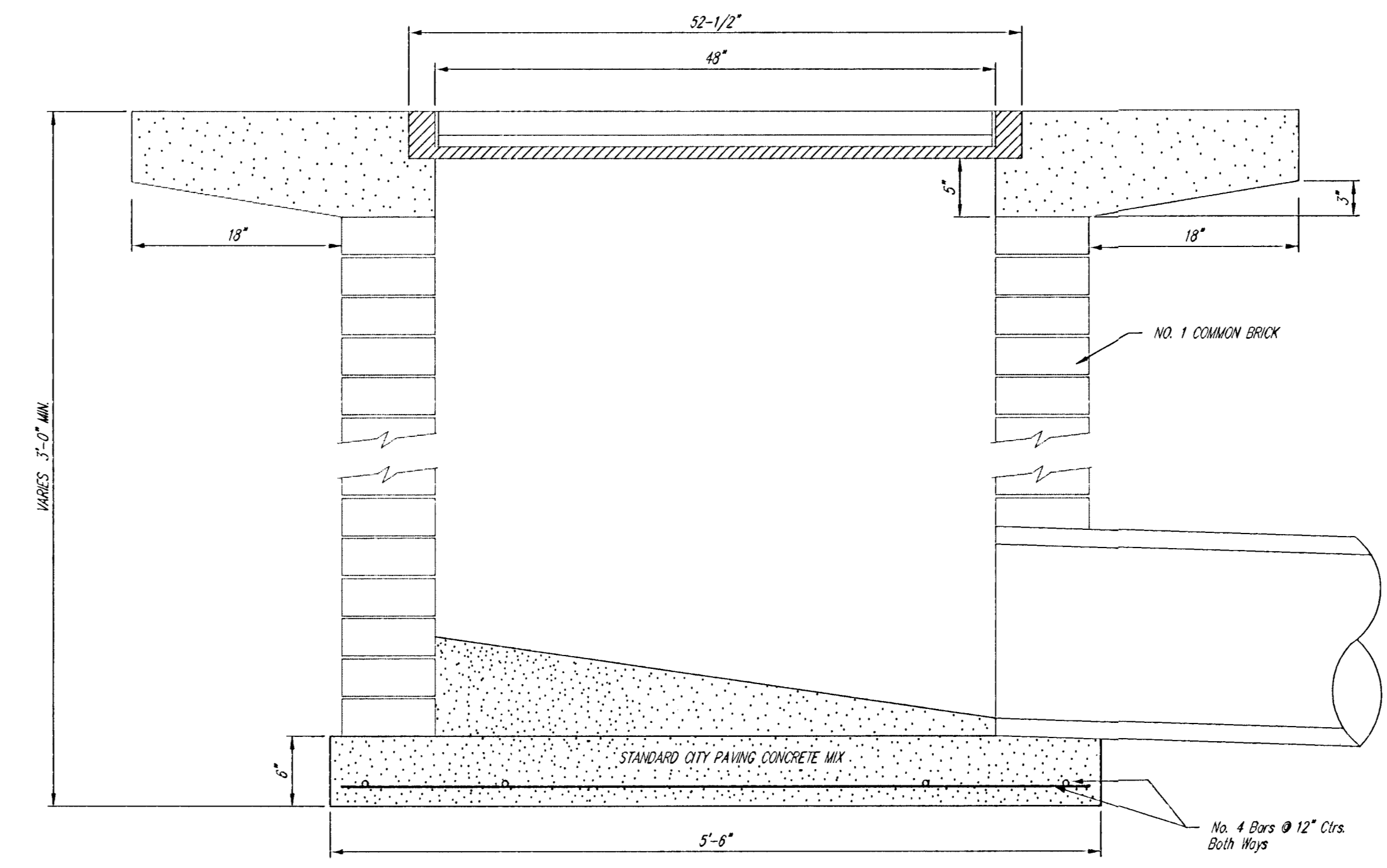
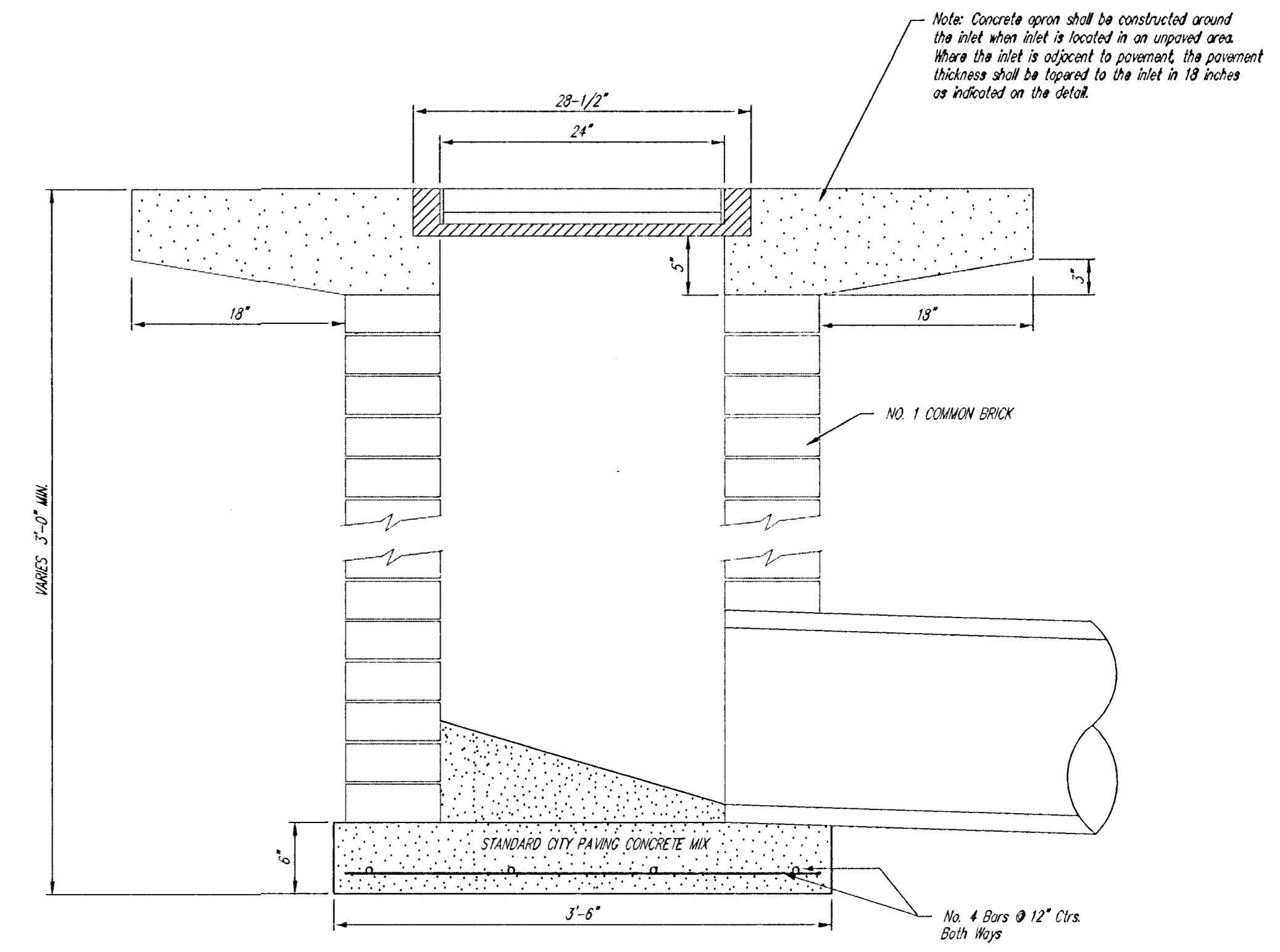
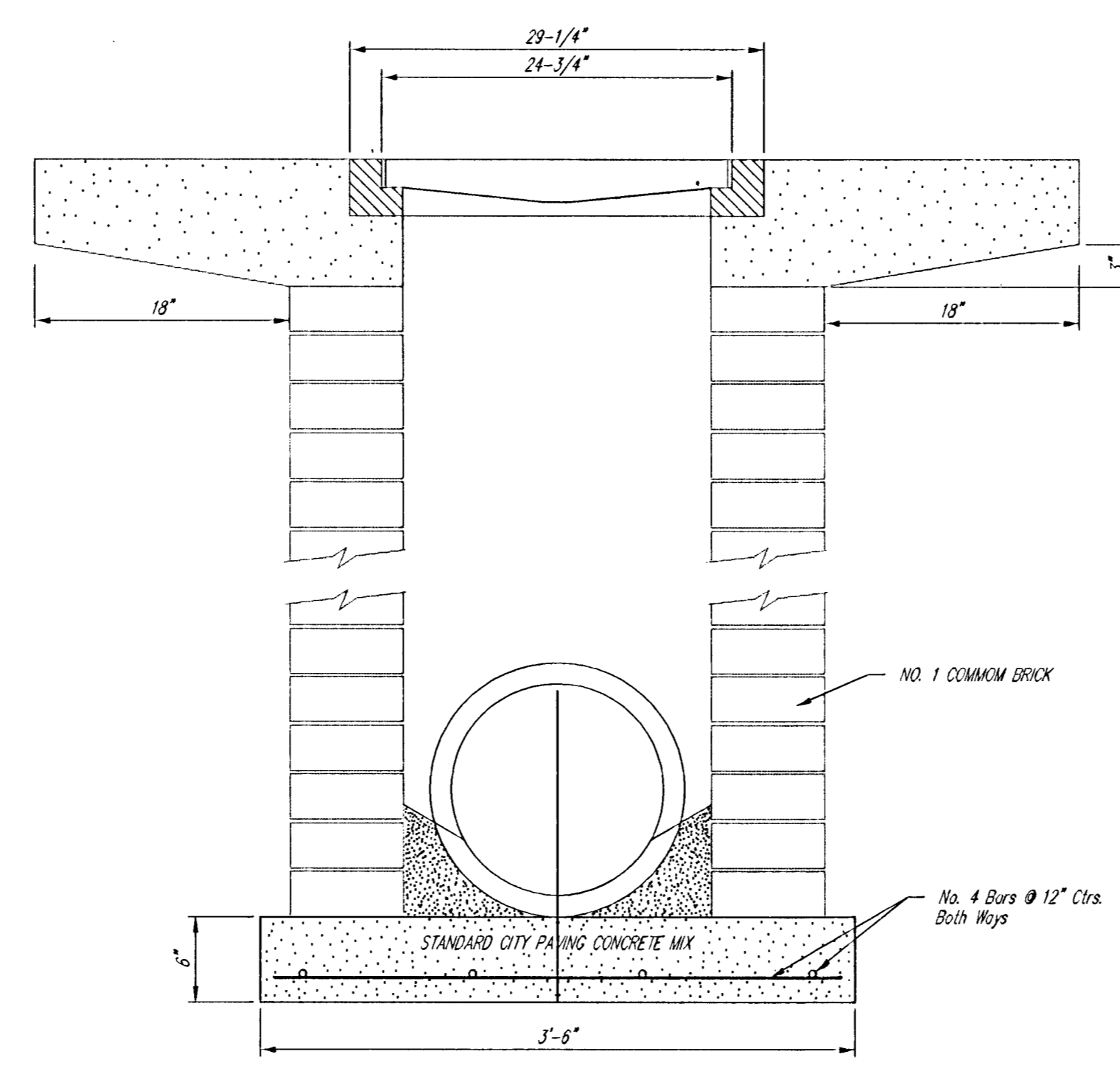


NOTE: Grates shall be imprinted on the top surface with "CITY OF WICHITA" using letters at least 1" in height. Other marking methods may be approved by the engineer.

24" x 24" Frame and Grate Detail



Double 24" x 24" Frame Detail



<p>THE CITY OF WICHITA</p> <p>CITY ENGINEER'S OFFICE CITY HALL - SEVENTH FLOOR 405 NORTH MAIN STREET WICHITA, KANSAS 67202 (316) 268-4001 (316) 268-4114 FAX</p>	<p>DROP INLET 2' X 2' / 2' X 4'</p>		
	<p>JAMES L. ARMOUR P.E. - CITY ENGINEER</p>		
	<p>PROJECT NUMBER 1687</p>	<p>INDEX CODE PPS(607861)</p>	
	<p>DATE JULY 05</p>	<p>SHEET 6 OF 8</p>	