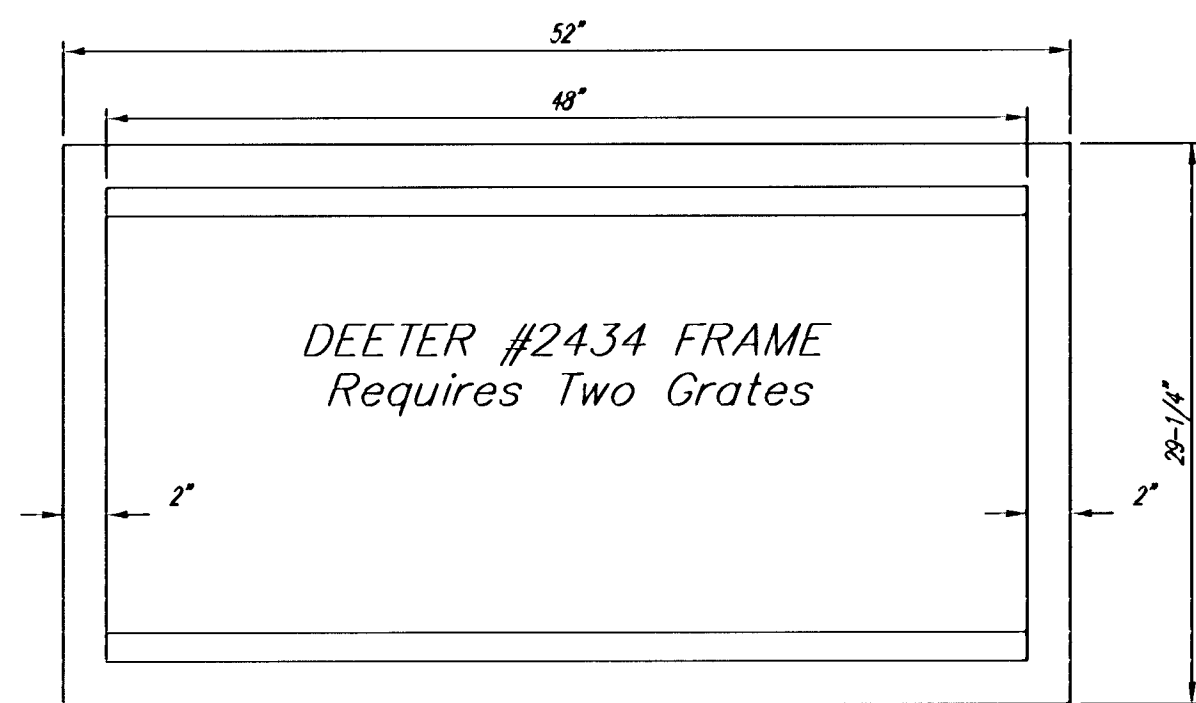


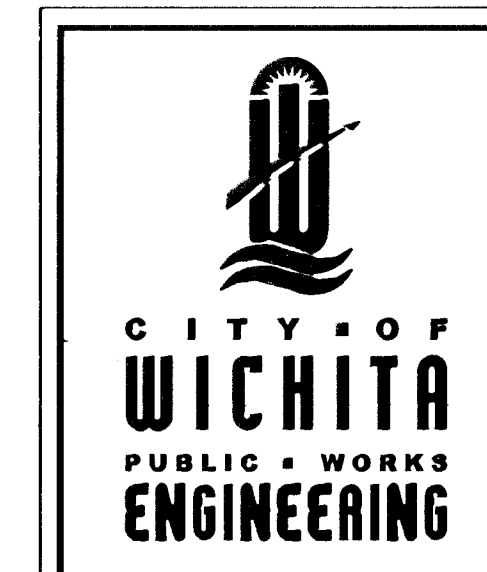
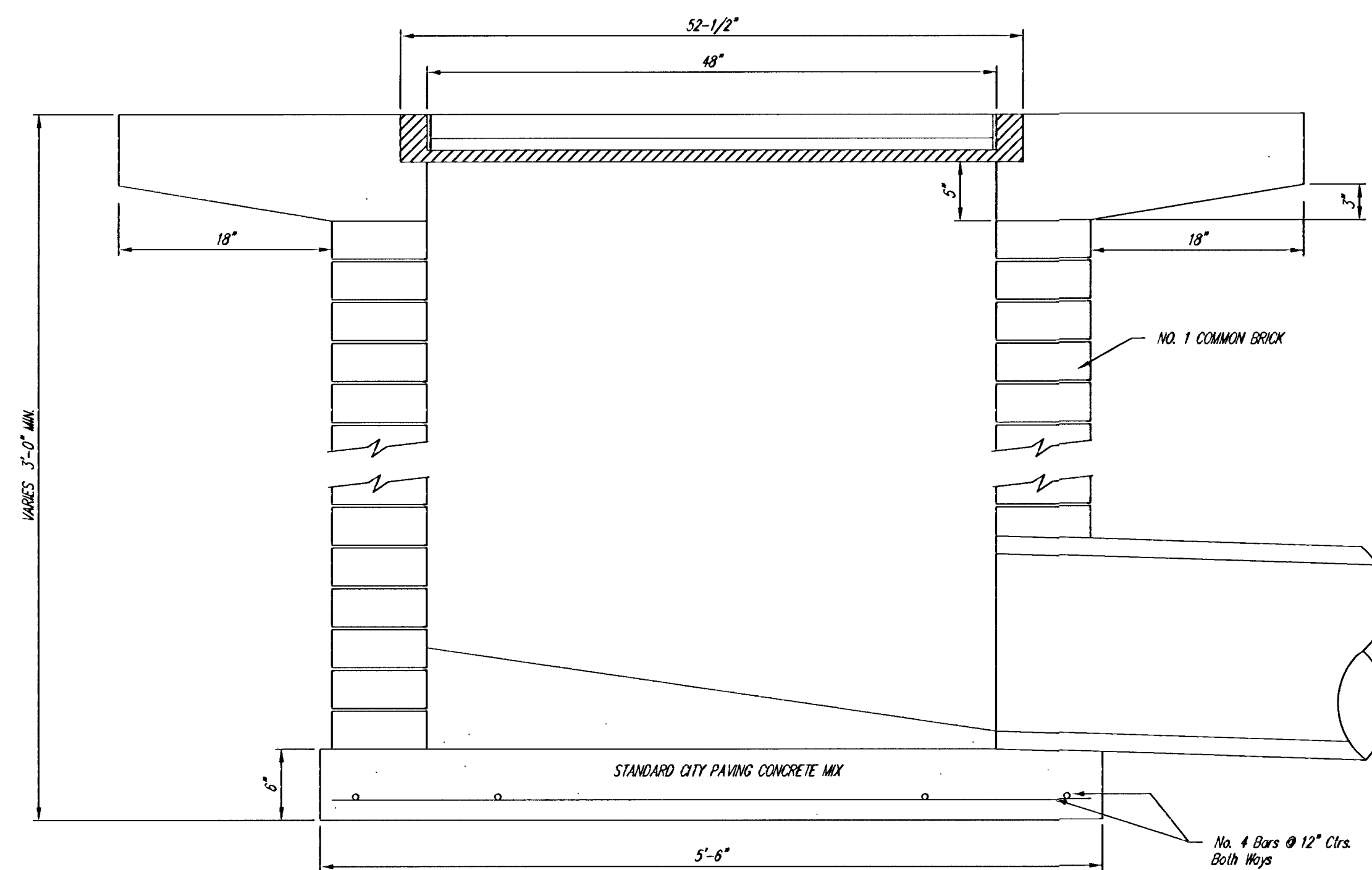
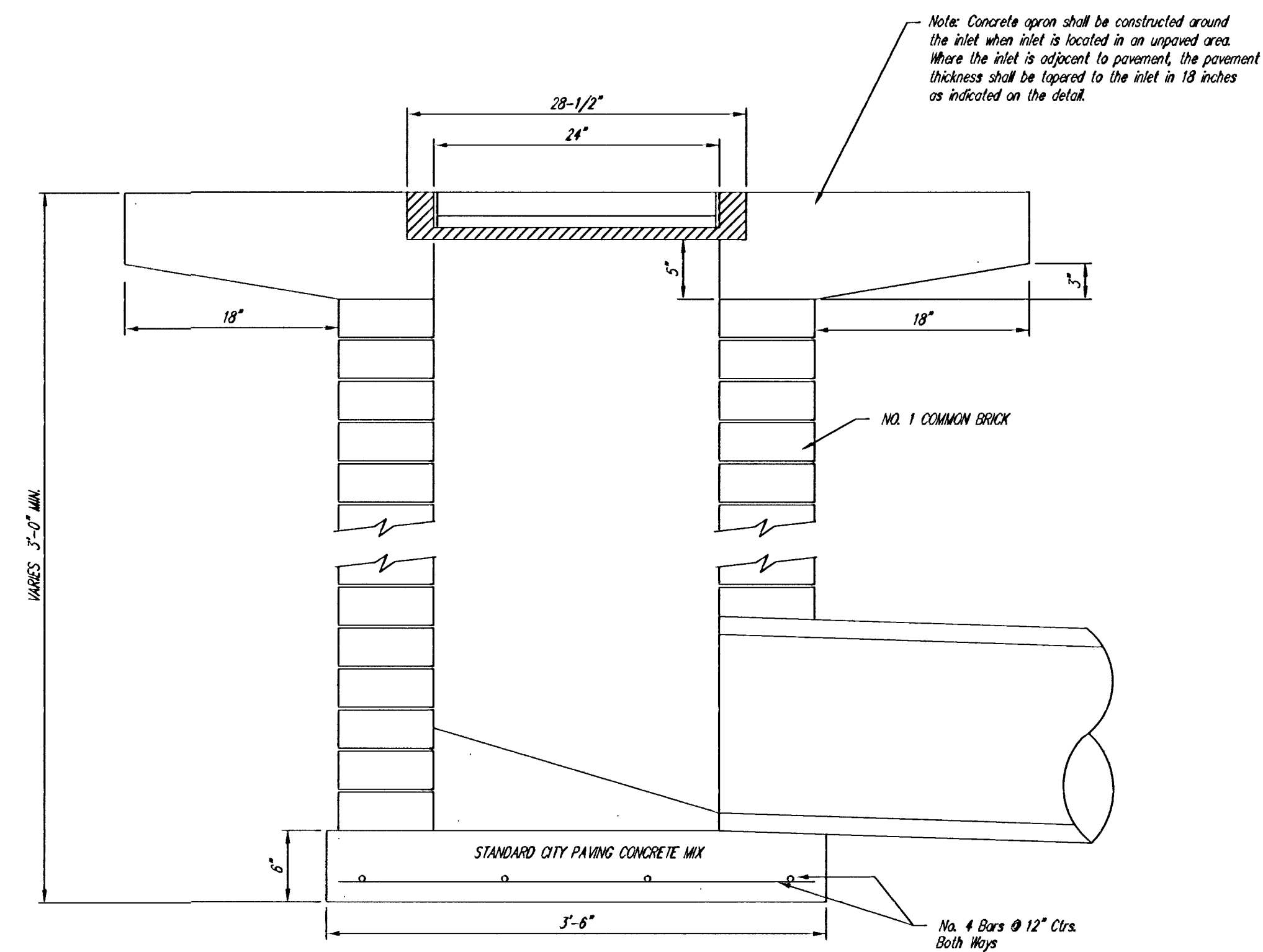
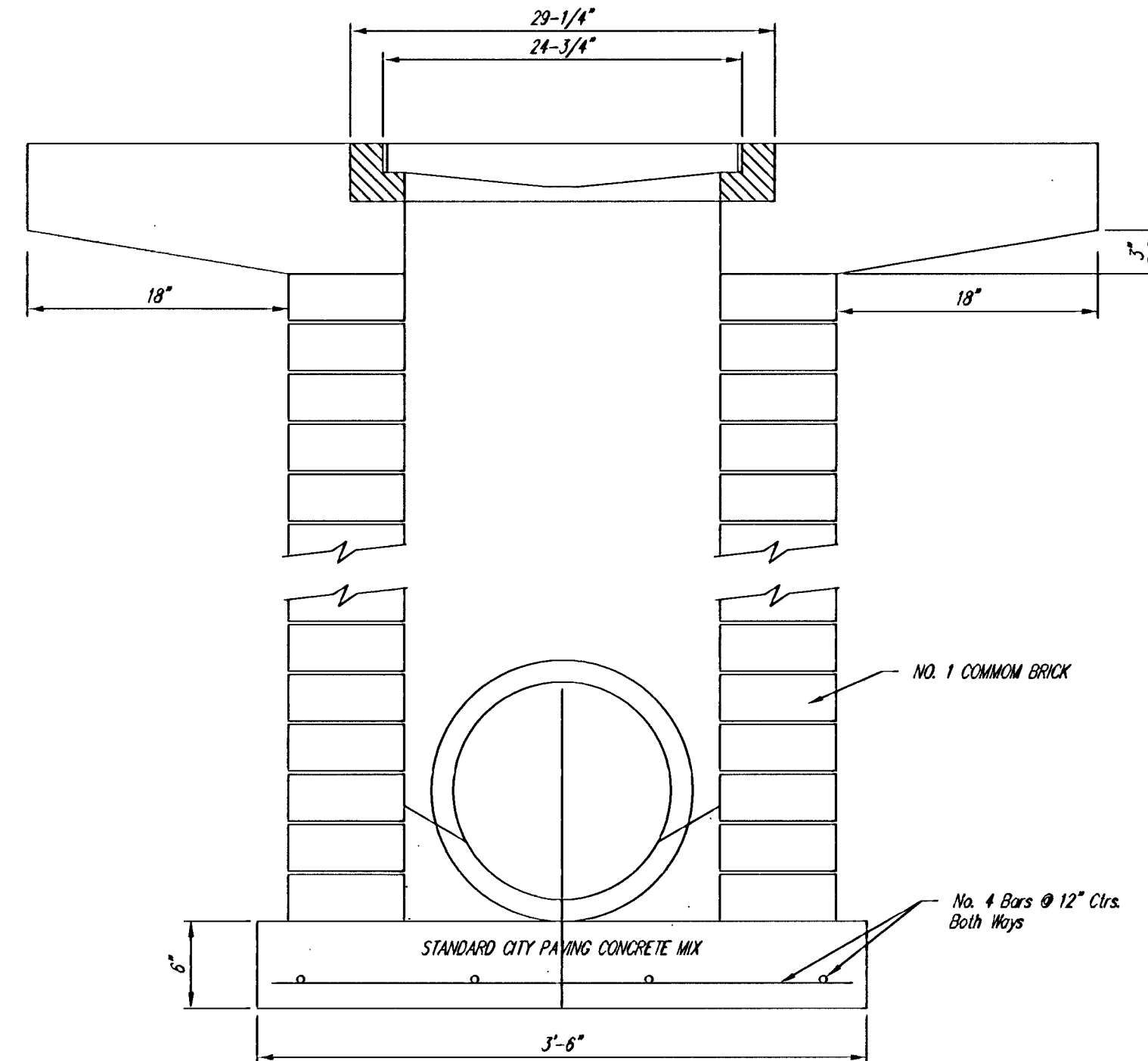
DEETER #2433 GRATE

24" x 24" Frame and Grate Detail

NOTE: Grates shall be imprinted on the top surface with "CITY OF WICHITA" using letters at least 1" in height. Other marking methods may be approved by the engineer.



Double 24" x 24" Frame Detail



DROP INLET 2' X 2 1/2' X 4'		
CITY ENGINEER JAMES L. ARMOUR, P.E., L.S.		
PROJECT NUMBER PPS 1692	OCA NUMBER 607861	DATE 08/2006
CITY ENGINEER'S OFFICE CITY HALL - SEVENTH FLOOR 455 NORTH MAIN STREET WICHITA, KANSAS 67202-1620 (316) 268-4501 (316) 268-4114 FAX		DESIGN COW
		DRAWN COW
		SHEET 3 OF 4