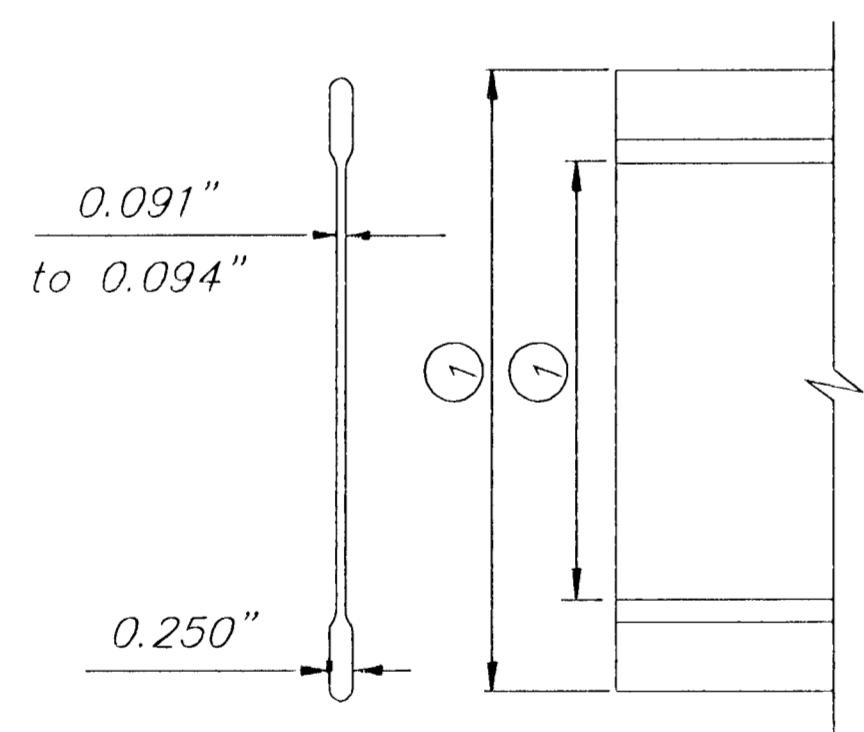


* Or as directed by the Engineer

Traffic Control Sign Post

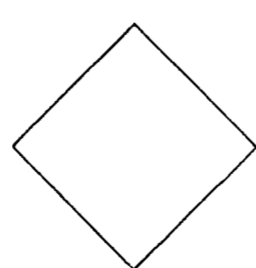
TYPICAL SIGN MOUNTING INSTALLATION



① STREET SIGN BLADE DETAIL
 Blade Width 6.75" - Web Width 4.75"
 Blade Width 9.00" - Web Width 7.00"

SIGN ASSEMBLY TABLE			
STATION	OFFSET	SIGN	QUANTITY(EA.)
3+85	26' Lt.	WEST PKWY	1
5+50	26' Lt.	LINDEN	1
TOTAL			2

STREET NAME	NO. BLADES REQ'D
WEST PKWY	1
LINDEN	1
DENKER CIRCLE	2



END OF ROADWAY
(18"x18")

NOTE: 1 POST, 1 POST TO SIGN BRACKET AND 1-90° SIGN TO SIGN BRACKET REQ'D. AT EACH LOCATION

GENERAL NOTES - SIGNING

A. STREET SIGN POSTS SHALL BE MANUFACTURED FROM 2 3/8" O.D. GALVANIZED STEEL PIPE WEIGHING A MINIMUM OF 3.65 POUNDS PER FOOT. POSTS SHALL BE POSITIONED SO THAT THE BOTTOM BLADE IS 7 FEET ABOVE GRADE. STREET SIGN POSTS SHALL BE SET IN CONCRETE ANCHORS 12"x12"x24" DEEP IN ACCORDANCE WITH WICHITA TRAFFIC DEPARTMENT SPECIFICATIONS.

TRAFFIC SIGN POSTS AND ANCHORS SHALL BE MANUFACTURED FROM 12 GAUGE TUBULAR STEEL. ROUND HOLES, 3/8 INCH IN DIAMETER, SHALL BE PUNCHED OR DRILLED AT ONE INCH SPACING ON ALL FOUR FACES OF THE POST. STARTING ONE INCH FROM THE TOP OF THE POST. POSTS SHALL BE HOT-DIPPED GALVANIZED IN ACCORDANCE WITH ASTM A123.

B. REFLECTIVE SHEETING SHALL BE TYPE II-HIGH PERFORMANCE CLASS HA IN ACCORDANCE WITH SPECIAL PROVISION FOR STREET SIGNS SS-1 TO 3.

C. MOUNTING BRACKETS FOR STREET NAME SIGNS. DIE CAST ALUMINUM BRACKETS SHALL BE ALUMINUM ALLOY 360 HAVING A TENSILE STRENGTH OF 44,000 P.S.I. THE BRACKETS SHALL BE SMOOTHLY FINISHED, FREE OF PITS, BURRS, AND FLAWS. EACH BRACKET SHALL BE TAPPED AND DRILLED FOR 5/16 INCH ZINC-PLATED ALLEN-TYPE SET SCREWS HAVING SELF-LOCKING SAW-TOOTH ENDS.

D. BLADES FOR STREET NAME SIGNS. EXTRUDED ALUMINUM BLADES SHALL BE ALUMINUM ALLOY CONFORMING TO 6063-T6 (ASTM SPECIFICATION B221, LATEST ISSUE). BLADES SHALL HAVE AN ALODINE OR PHOSPHATE ETCHED FINISH.

E. SIGN BLANKS SHALL BE FABRICATED FROM 0.100 INCH ALUMINUM ALLOY 6063-T6 CONFORMING TO THE REQUIREMENTS OF SPECIAL PROVISION FOR STREET SIGNS SS-1 TO 5.

F. DETAILS. STREET NAME SIGNS SHALL BE HIGHWAY GREEN REVERSE SCREENED BACKGROUND WITH SILVER-WHITE #2 LETTERS. THE STREET NAME SHALL BE 4 INCH UPPER CASE, AND THE STREET SUFFIX, IF ANY, SHALL BE 3 INCH UPPER CASE. ALL LETTERS SHALL BE SERIES "C".

G. NEW TRAFFIC CONTROL AND STREET NAME SIGNS SHALL BE MEASURED AND PAID FOR AT THE LUMP SUM PRICE FOR "SIGNING". THE PAYMENT AS SET FORTH ABOVE SHALL BE CONSIDERED FULL COMPENSATION FOR ALL EXCAVATION, BACKFILLING, MATERIALS, LABOR, AND INCIDENTALS NECESSARY TO COMPLETE THIS WORK.

STREET SIGNS				
BAUGHMAN COMPANY P. A.				
ENGINEERING & SURVEYING				
316-282-7271 • 315 ELLIS • WICHITA, KANSAS 67211				
PROJECT NUMBER		SHEET		
014 PPP 607879		7		
DESIGN	DRAWN	APPROVED	DATE	SCALE
			JUNE 93	
				OF 7