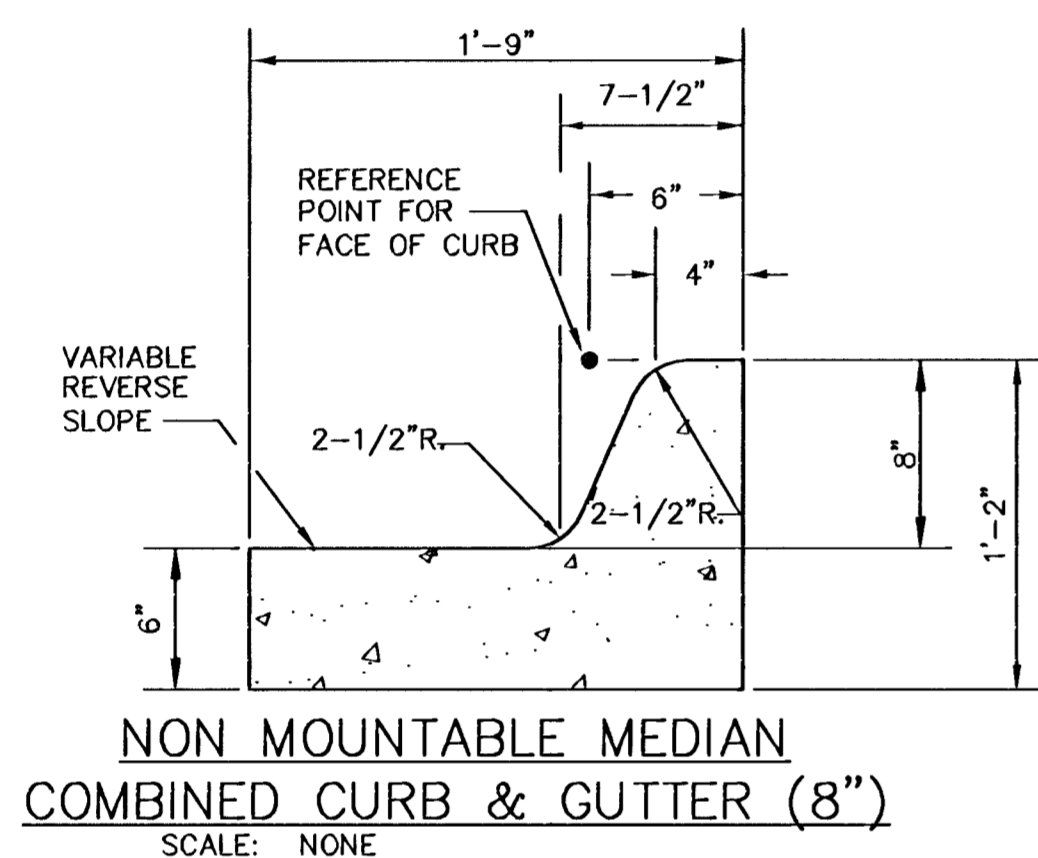
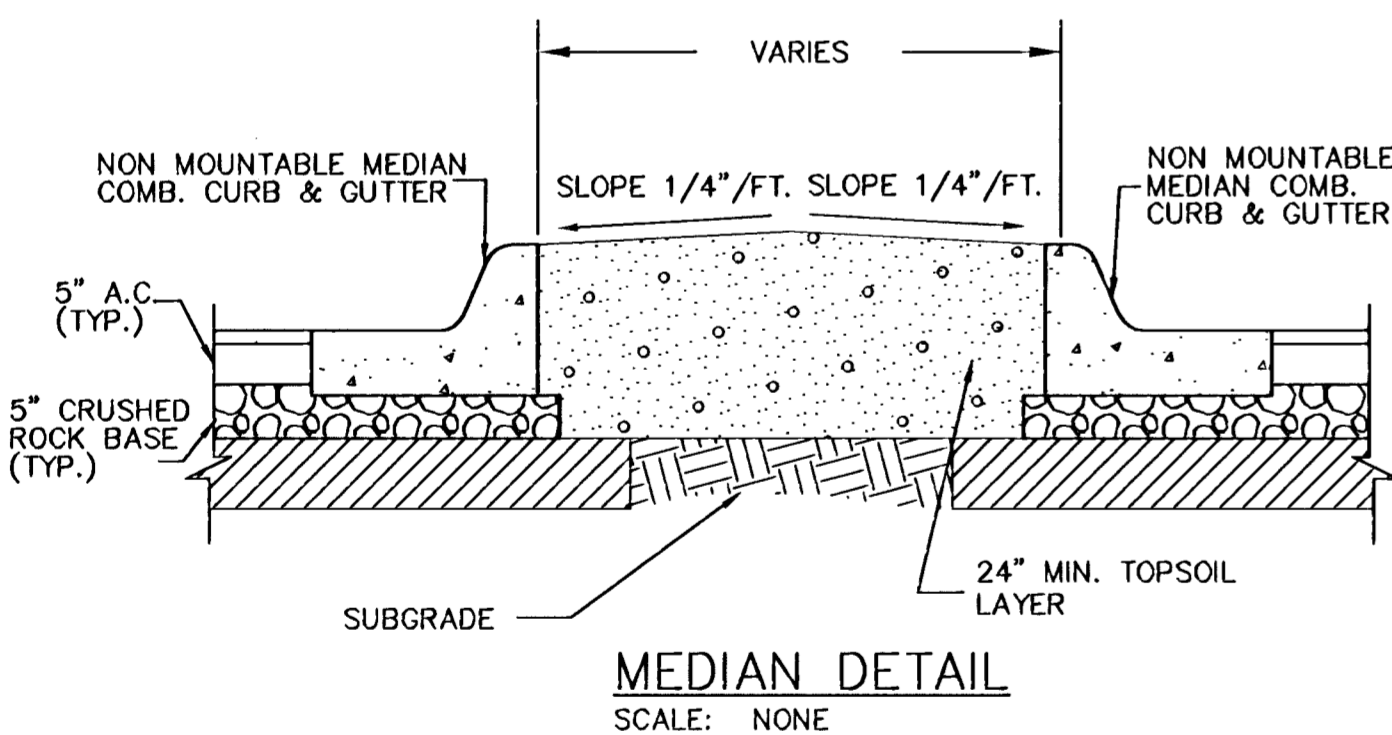


TYPICAL MEDIAN SECTION



NON MOUNTABLE MEDIAN COMBINED CURB & GUTTER (8'')
SCALE: NONE



MEDIAN DETAIL
SCALE: NONE

CURVE TABLE (1)					
$\Delta = 60^{\circ}03'48''$ R = 114.50' T = 66.19' L = 120.03' LC = 114.61'					
CURVE DATA BASED ON CENTERLINE $\Delta/2 = 30^{\circ}01'54''$					
CHORD LENGTH					
STATION	ARC	8'Off Ltcb	8'Off Rtcb	DEFLECTION	TOTAL DEFLECTION
10+00.00	—	—	—	00'00'00"	00'00'00"
10+25.00	25.00'	20.48'	29.42'	06'15'18"	06'15'18"
10+50.00	25.00'	20.48'	29.42'	06'15'18"	12'30'36"
10+75.00	25.00'	20.48'	29.42'	06'15'18"	18'45'54"
11+00.00	25.00'	20.48'	29.42'	06'15'18"	25'01'12"
11+20.03	20.03'	16.42'	23.59'	05'00'42"	30'01'54"
Def/Ft = 15.01199 Min.					

CURVE TABLE (2)					
$\Delta = 50^{\circ}00'00''$ R = 85.50' T = 39.87' L = 74.61' LC = 72.27'					
CURVE DATA BASED ON RIGHT FACE OF CURB $\Delta/2 = 25^{\circ}00'00''$					
CHORD LENGTH					
STATION	ARC	8'Off Ltcb	8'Off Rtcb	DEFLECTION	TOTAL DEFLECTION
11+77.62	—	—	—	00'00'00"	00'00'00"
12+00.00	22.38'	27.87'	18.97'	07'23'55"	07'23'55"
12+25.00	25.00'	30.88'	18.94'	08'22'36"	15'52'31"
12+50.00	25.00'	30.88'	18.94'	08'22'36"	24'15'07"
12+52.23	2.23'	2.77'	1.70'	00'44'53"	25'00'00"
Def/Ft = 20.10378 Min.					

CURVE TABLE (3)					
$\Delta = 28^{\circ}43'24''$ R = 114.50' T = 29.32' L = 57.40' LC = 56.80'					
CURVE DATA BASED ON RIGHT FACE OF CURB $\Delta/2 = 14^{\circ}21'42''$					
CHORD LENGTH					
STATION	ARC	8'Off Ltcb	8'Off Rtcb	DEFLECTION	TOTAL DEFLECTION
12+94.74	—	—	—	00'00'00"	00'00'00"
13+00.00	5.26'	4.32'	6.20'	01'18'55"	01'18'55"
13+25.00	25.00'	20.48'	29.42'	06'15'18"	07'34'16"
13+50.00	25.00'	20.48'	29.42'	06'15'18"	13'49'34"
13+52.14	2.14'	1.76'	2.52'	00'32'08"	14'21'42"
Def/Ft = 15.01199 Min.					

CURVE TABLE (4)					
$\Delta = 65^{\circ}03'48''$ R = 185.50' T = 118.32' L = 210.65' LC = 199.51'					
CURVE DATA BASED ON RIGHT FACE OF CURB $\Delta/2 = 32^{\circ}31'54''$					
CHORD LENGTH					
STATION	ARC	8'Off Ltcb	8'Off Rtcb	DEFLECTION	TOTAL DEFLECTION
11+53.08	—	—	—	00'00'00"	00'00'00"
11+75.00	21.92'	19.49'	24.33'	03'23'07"	03'23'07"
12+00.00	25.00'	22.22'	27.74'	03'51'39"	07'14'46"
12+25.00	25.00'	22.22'	27.74'	03'51'39"	11'06'25"
12+50.00	25.00'	22.22'	27.74'	03'51'39"	14'58'05"
12+75.00	25.00'	22.22'	27.74'	03'51'39"	18'49'44"
13+00.00	25.00'	22.22'	27.74'	03'51'39"	22'41'23"
13+25.00	25.00'	22.22'	27.74'	03'51'39"	26'33'02"
13+50.00	25.00'	22.22'	27.74'	03'51'39"	30'24'42"
13+63.73	13.73'	12.21'	15.24'	02'07'12"	32'31'54"
Def/Ft = 9.26616 Min.					

CURVE TABLE (5)					
$\Delta = 91^{\circ}16'44''$ R = 140.00' T = 143.16' L = 223.04' LC = 200.19'					
CURVE DATA BASED ON CENTERLINE $\Delta/2 = 45^{\circ}38'22''$					
CHORD LENGTH					
STATION	ARC	8'Off Ltcb	8'Off Rtcb	DEFLECTION	TOTAL DEFLECTION
14+11.61	—	—	—	00'00'00"	00'00'00"
14+25.00	13.39'	15.49'	11.28'	02'44'24"	02'44'24"
14+50.00	25.00'	28.89'	21.04'	05'06'57"	07'51'20"
14+75.00	25.00'	28.89'	21.04'	05'06'57"	12'58'17"
15+00.00	25.00'	28.89'	21.04'	05'06'57"	18'05'13"
15+25.00	25.00'	28.89'	21.04'	05'06'57"	23'12'10"
15+50.00	25.00'	28.89'	21.04'	05'06'57"	28'19'06"
15+75.00	25.00'	28.89'	21.04'	05'06'57"	33'26'03"
16+00.00	25.00'	28.89'	21.04'	05'06'57"	38'32'59"
16+25.00	25.00'	28.89'	21.04'	05'06'57"	43'39'56"
16+34.65	9.65'	11.16'	8.13'	01'58'26"	45'38'22"
Def/Ft = 12.27767 Min.					

CURVE TABLE (6)					
$\Delta = 90^{\circ}00'00''$ R = 120.00' T = 120.00' L = 188.50' LC = 169.71'					
CURVE DATA BASED ON CENTERLINE $\Delta/2 = 45^{\circ}00'00''$					
CHORD LENGTH					
STATION	ARC	8'Off Ltcb	8'Off Rtcb	DEFLECTION	TOTAL DEFLECTION
17+46.01	—	—	—	00'00'00"	00'00'00"
17+75.00	28.99'	23.82'	34.22'	06'55'15"	06'55'15"
18+00.00	25.00'	20.38'	29.53'	05'58'08"	12'53'21"
18+25.00	25.00'	20.38'	29.53'	05'58'08"	18'51'27"
18+50.00	25.00'	20.38'	29.53'	05'58'08"	24'49'33"
18+75.00	25.00'	20.38'	29.53'	05'58'08"	30'47'39"
19+00.00	25.00'	20.38'	29.53'	05'58'08"	36'45'45"
19+25.00	25.00'	20.38'	29.53'	05'58'08"	42'43'51"
19+34.51	9.51'	7.76'	11.25'	02'16'09"	45'00'00"
Def/Ft = 14.32394 Min.					

CURVE TABLE (7)					
$\Delta = 95^{\circ}45'56''$ R = 83.25' T = 92.08' L = 139.15' LC = 123.51'					
CURVE DATA BASED ON LEFT FACE OF CURB $\Delta/2 = 47^{\circ}52'58''$					
CHORD LENGTH					
STATION	ARC	8'Off Ltcb	8'Off Rtcb	DEFLECTION	TOTAL DEFLECTION
10+00.00	—	—	—	00'00'00"	00'00'00"
10+25.00	25.00'	19.15'	30.67'	08'36'11"	08'36'11"
10+50.00	25.00'	19.15'	30.67'	08'36'11"	17'12'21"
10+75.00	25.00'	19.15'	30.67'	08'36'11"	25'48'32"
11+00.00	25.00'	19.15'	30.67'	08'36'11"	34'24'43"
11+25.00	25.00'	19.15'	30.67'	08'36'11"	43'00'53"
11+39.15	14.15'	10.86'	17.40'	04'52'05"	47'52'58"
Def/Ft = 20.64713 Min.					

CURVE TABLE (8)					
$\Delta = 29^{\circ}06'56''$ R = 86.75' T = 22.53' L = 44.08' LC = 43.61'					
CURVE DATA BASED ON RIGHT FACE OF CURB $\Delta/2 = 14^{\circ}33'28''$					
CHORD LENGTH					
STATION	ARC	8'Off Ltcb	8'Off Rtcb	DEFLECTION	TOTAL DEFLECTION
11+39.15	—	—	—	00'00'00"	00'00'00"
11+50.00	10.85'	13.25'	8.44'	03'34'59"	03'34'59"
11+75.00	25.00'	30.44'	19.39'	08'15'21"	11'50'20"
11+83.23	8.23'	10.06'	6.40'	02'43'08"	14'33'28"
Def/Ft = 19.81410 Min.					

H:\CIVIL\96186\03131\DWG\PAV\03131ED2.DWG



WILSON FARMS FOURTH ADDITION
PROJECT NAME

PAVING DETAILS
SHEET TITLE

DFL DESIGN BY:	DMU DRAWN BY:	GJA CHECKED BY:
OCTOBER 2003 DATE	03131ED2 JOB NO.	3 / 32 SHEET/OF