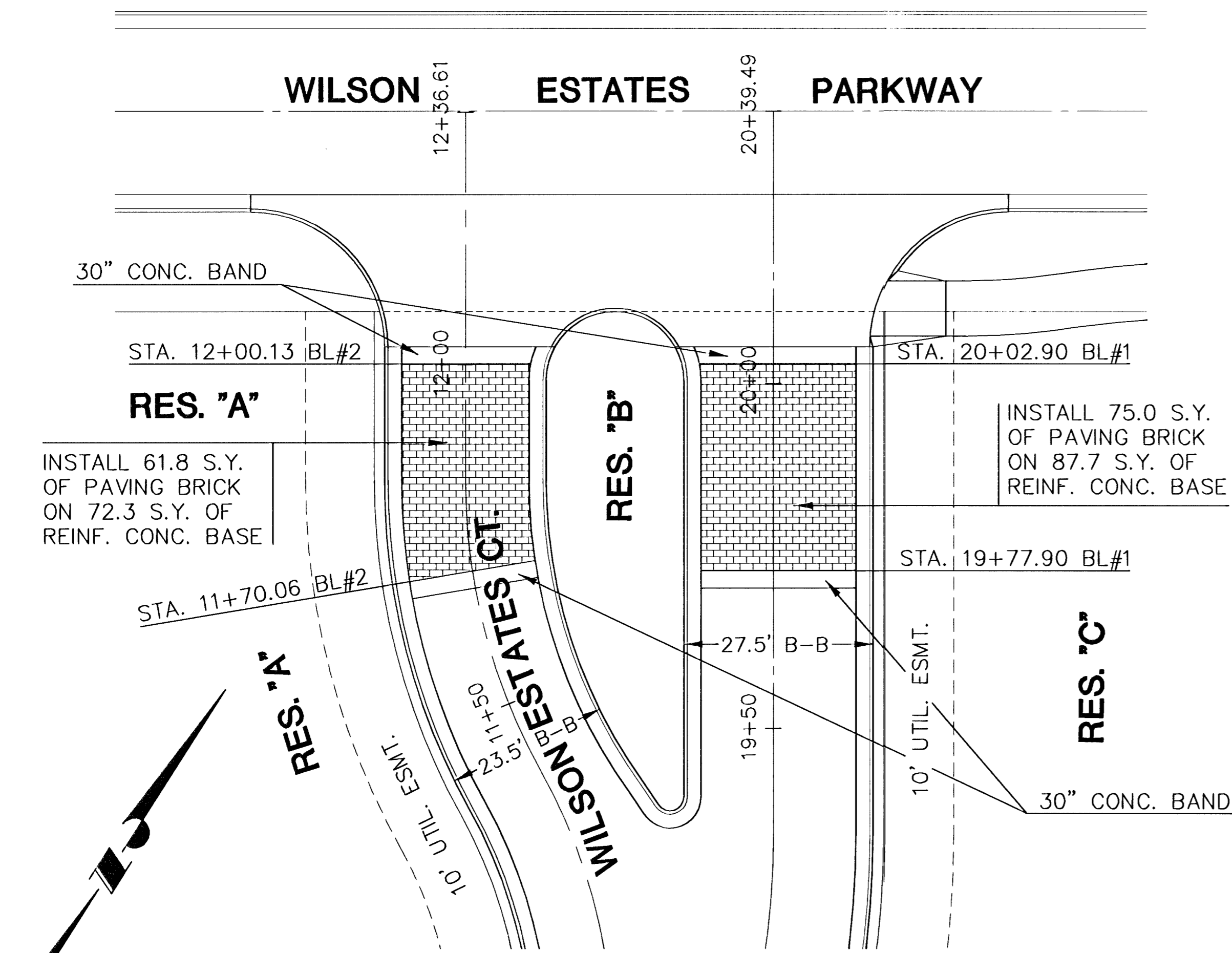


# TYPICAL MEDIAN CONCRETE PAVER DETAILS



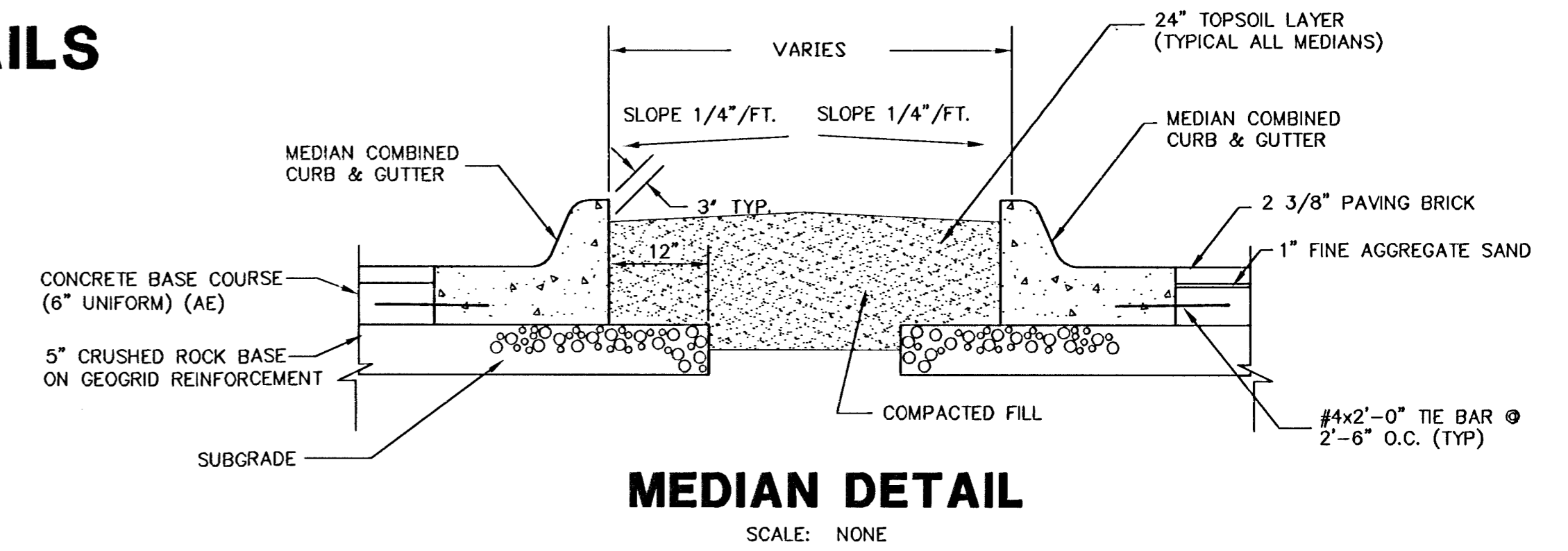
**CONCRETE PAVERS AT ENTRANCE**

SCALE: NONE

CONCRETE PAVER SCHEDULE			
MANUFACTURER	STYLE	COLOR	REMARKS
PAVESTONE	PLAZA STONE (TYPE 1)	BROWN	ENDS ONLY
"	PLAZA STONE (TYPE 1)	TERRA-COTTA	75% OF MIX
"	PLAZA STONE (TYPE 1)	TERRA-COTTA/CHARCOAL BLEND	25% OF MIX

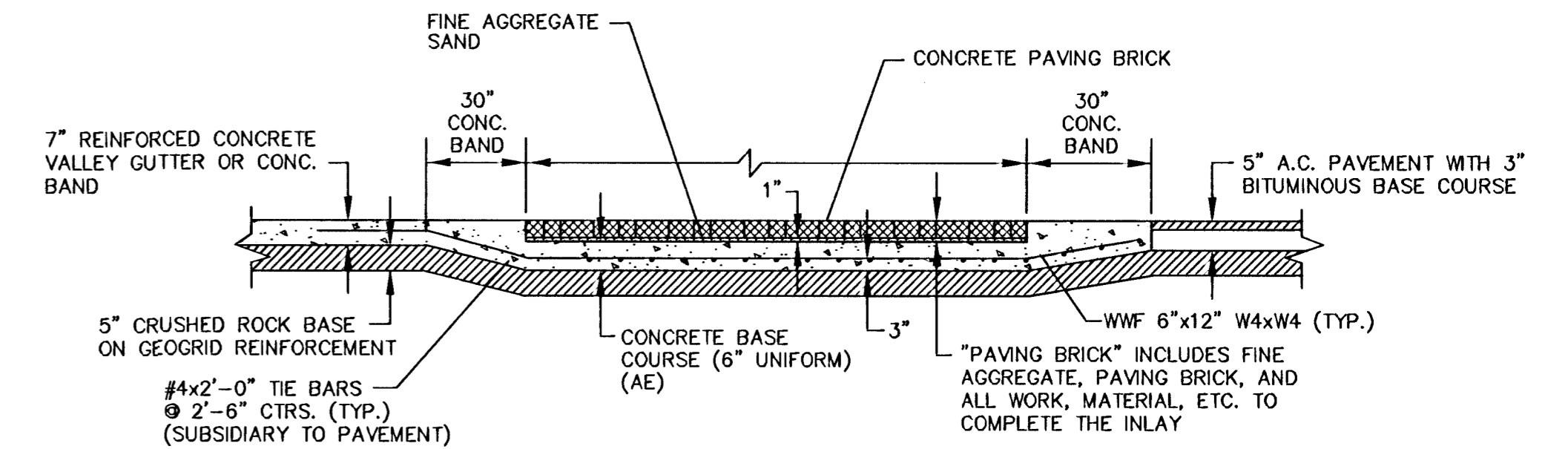
**NOTES:**

1. CONCRETE UNIT PAVER SHALL BE 2-3/8" MIN. THICKNESS AND MEET OR EXCEED ASTM C-936-82. PAYMENT SHALL BE AT THE CONTRACT BID PRICE PER SQUARE YARD FOR "PAVING BRICK".
2. CONCRETE BASE COURSE SHALL BE BID AS "CONCRETE PAVEMENT (6" UNIFORM) (AE)". ADDITIONAL CONCRETE THICKNESS IN TRANSITION TO APRON SHALL BE SUBSIDIARY TO THE BID ITEM "CONCRETE PAVEMENT (6") (AE)".
3. ADDITIONAL FORM WORK FOR CONSTRUCTION OF THE CONCRETE PAVER WILL BE SUBSIDIARY TO THE BID ITEM "PAVING BRICK".
4. SAND BEDDING SHALL MEET KDOT STANDARDS FOR FINE AGGREGATE. AN UNCOMPACTED SAND LAYING COURSE SHALL BE SPREAD EVENLY OVER THE AREA TO BE PAVED AND THEN SCREED TO A LEVEL OF APPROXIMATELY 1" THICKNESS. ONCE SCREEDED AND AND LEVELED TO THE DESIRED ELEVATION, THE SAND LAYING COURSE SHALL NOT BE DISTURBED IN ANY WAY.
5. BLOCKS SHALL BE PLACED WITH THE CHAMFERED SIDE UP, AND JOINT SPACES KEPT UNIFORM APPROXIMATELY 1/8" THICK. THE GAPS AT THE EDGE OF THE PAVED SURFACE SHALL BE FILLED WITH PAVING BLOCKS CUT TO FIT. CUTTING SHALL BE ACCOMPLISHED TO LEAVE A CLEAN EDGE TOWARD THE TRAFFIC SURFACE, USING A MASONRY SAW. WHENEVER POSSIBLE, NO CUTS SHOULD RESULT WITH A PAVER LESS THAN ONE-THIRD OF ITS ORIGINAL DIMENSION, INDIVIDUAL PAVERS ARE TO BE PLACED IN THE PATTERN SHOWN (REFER TO DETAIL "PAVING PLAN A").
6. PAVING BRICK SHALL BE VIBRATED TO THEIR FINAL LEVEL IN THE SAND LAYING COURSE BY TWO OR THREE PASSES OF A VIBRATING COMPACTOR CAPABLE OF 3000 TO 5000 POUNDS COMPACTION FORCE WITH THE SURFACE CLEAN AND JOINTS OPEN.
7. AFTER VIBRATION, CLEAN CONCRETE SAND SHALL BE SPREAD OVER THE PAVING STONE SURFACE, ALLOWED TO DRY, AND VIBRATED INTO THE JOINTS WITH ADDITIONAL PASSES OF THE PLATE VIBRATOR SO AS TO COMPLETELY FILL THE JOINTS. A LIGHT COATING OF SAND SHALL BE SWEEPED OVER THE COMPLETED SURFACE AND LEFT TO WEATHER IN.
8. A SAND LAYER SHALL BE MAINTAINED OVER CONCRETE PAVER SURFACES DURING ADJACENT ASPHALT CONSTRUCTION, AND REMAIN FOR A MINIMUM OF THIRTY DAYS AFTER ASPHALT SURFACES HAVE BEEN COMPLETED.

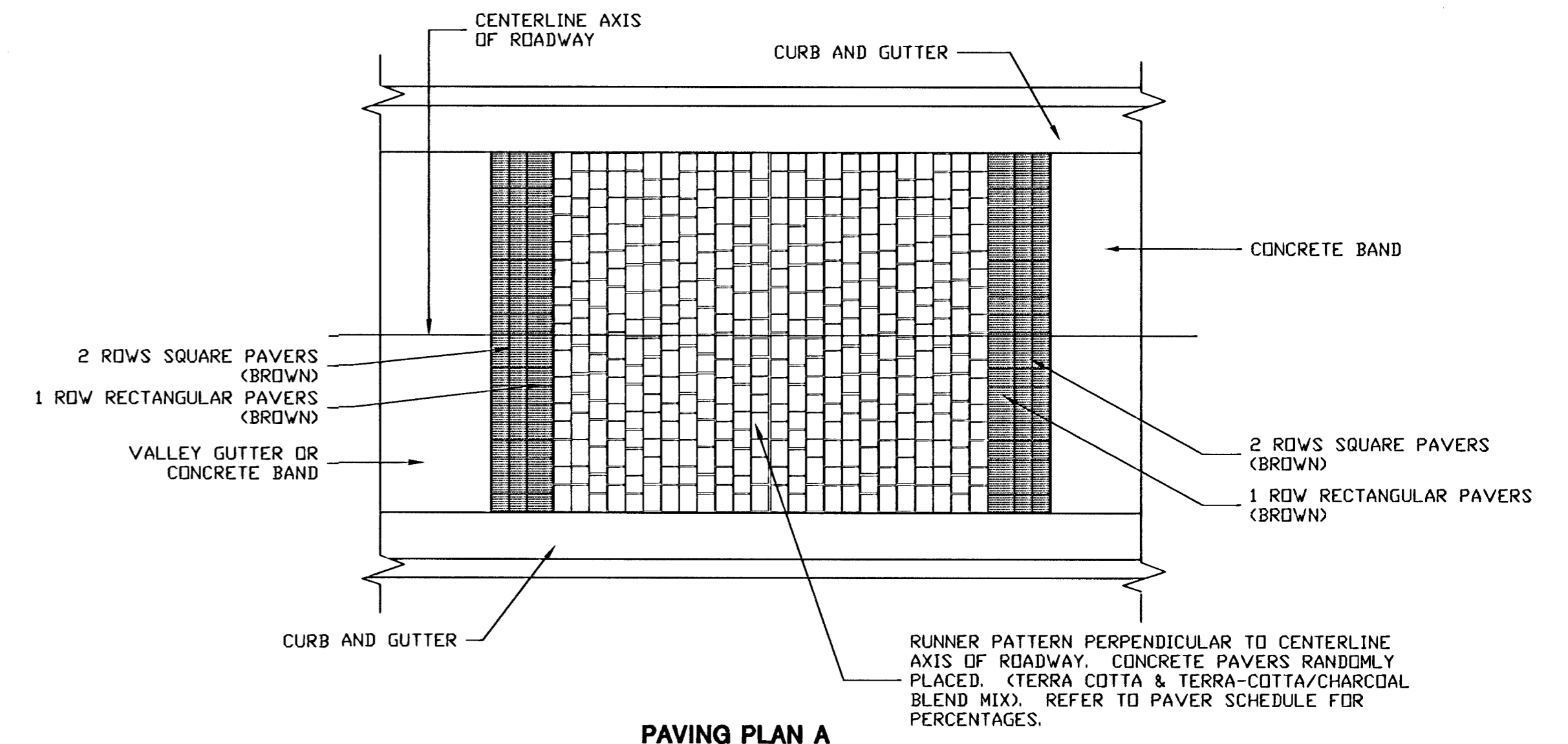


**MEDIAN DETAIL**

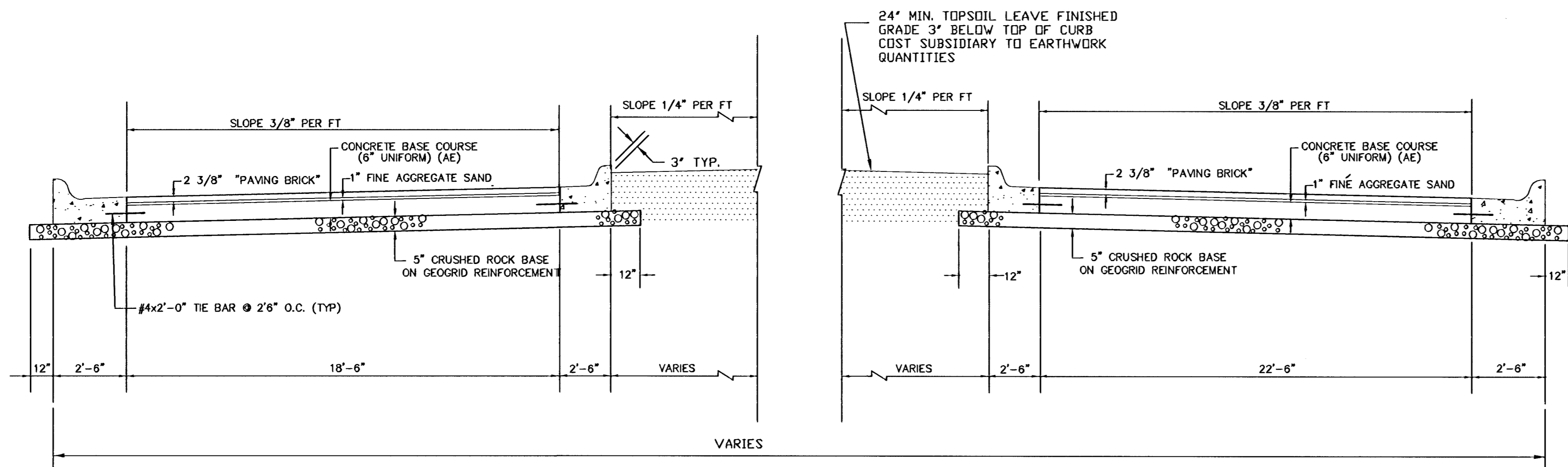
SCALE: NONE



**LONGITUDINAL CONCRETE PAVER SECTION**



**PAVING PLAN A**



**TRANSVERSE SECTION AT CONCRETE PAVERS**

H:\CIVIL\96166\03131\DWG\PAV\03131ED6



**WILSON FARMS FOURTH ADDITION**  
PROJECT NAME

**PAVING DETAILS**  
SHEET TITLE

DFL DESIGN BY. DMU DRAWN BY. JAG CHECKED BY.

OCTOBER 2003 DATE 03131ED6 JOB NO. 4 / 32 SHEET/OF