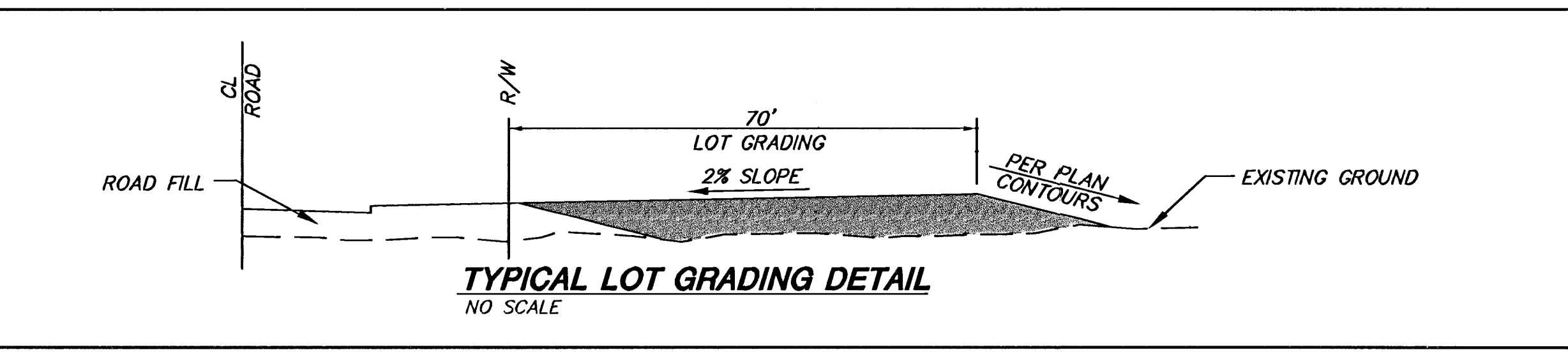
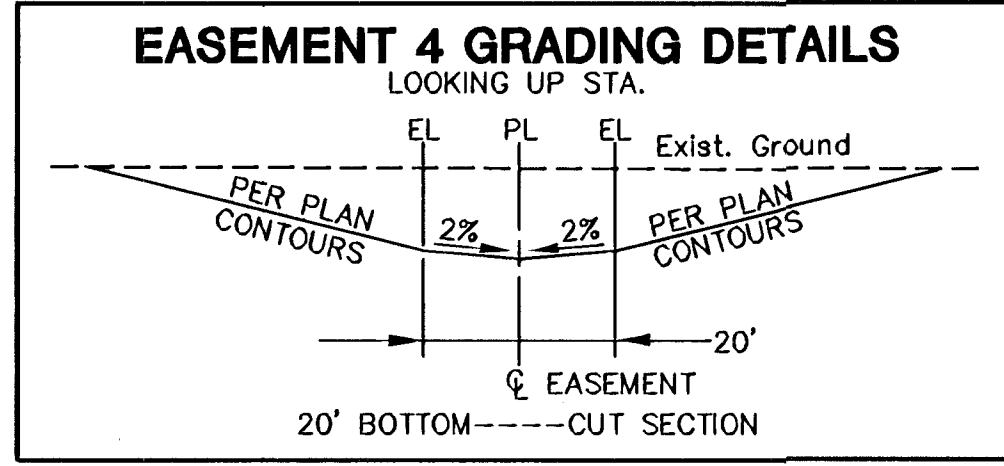
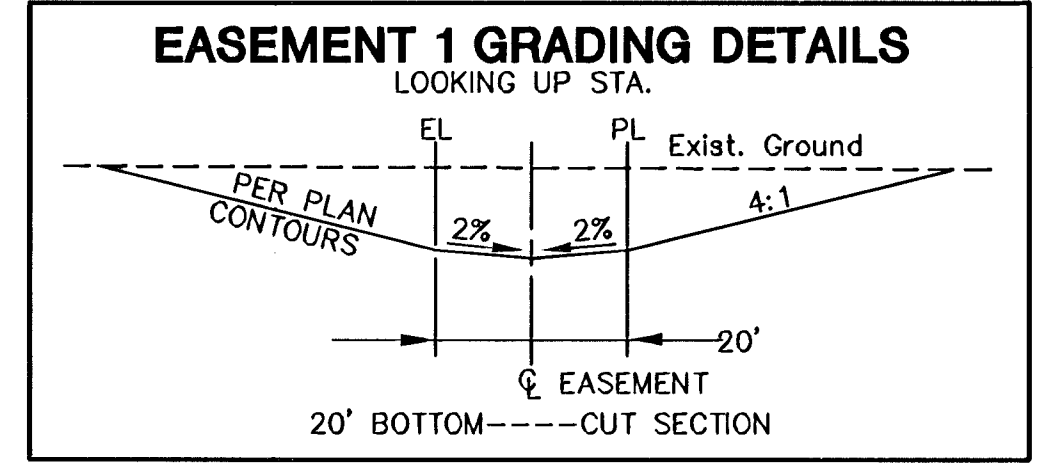
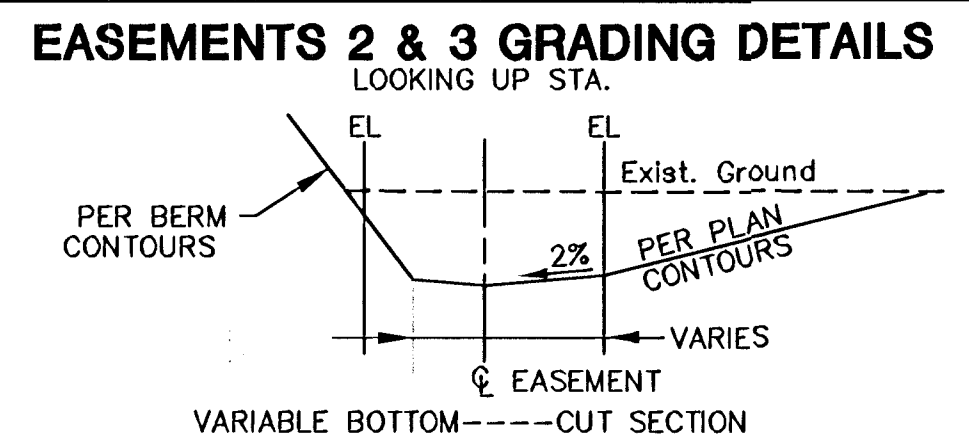


- = AREA'S OF LOT GRADING
- = EXISTING STOCKPILE
- = PROP. FINISH GRADING CONTOUR
- = PROP. FINISH SPOT ELEVATION

STOCKPILE NOTE:
EXISTING STOCKPILE TO BE USED FOR BORROW AS NEEDED FOR LOT FILL, ROAD FILL, AND BERM GRADING. MATERIAL NOT NEEDED SHALL REMAIN STOCKPILED ON LOTS 6-9. CONTRACTOR TO RESHAPE REMAINING MATERIAL TO PROVIDE ADEQUATE DRAINAGE. GRADING IN FRONT OF LOTS 6-9 SHALL BE 1/4" PER FOOT FROM TOP OF CURB TO SETBACK LINE AND 3:1 TO REMAINING TOP OF STOCKPILE. GRADING IN THE REAR OF LOTS 6-9 SHALL BE 3:1 FROM EASEMENT LINE TO REMAINING TOP OF STOCKPILE. ALL OTHER LOTS SHALL BE GRADED AS SHOWN. CONTOUR LINES SHOWN ON LOTS 6-9 ARE FOR FUTURE GRADING.



H:\CIVIL\981566\03131\DWG\GRAD\03131.GD2



WILSON FARMS FOURTH ADDITION		
PROJECT NAME		
SITE GRADING PLAN		
SHEET TITLE		
DFL	DMU	GJA
DESIGN BY:	DRAWN BY:	CHECKED BY:
OCTOBER 2003	03131	18 / 32
DATE	JOB NO.	SHEET/OF