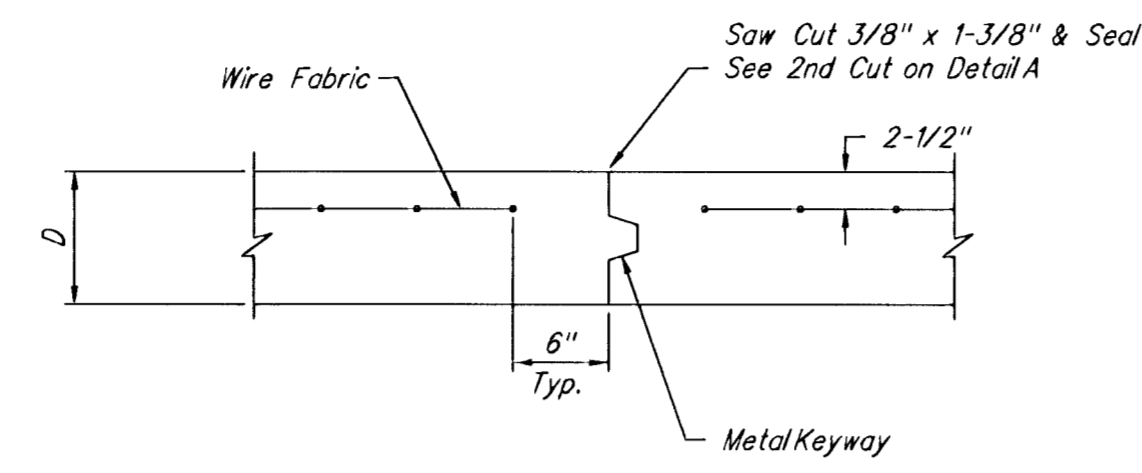
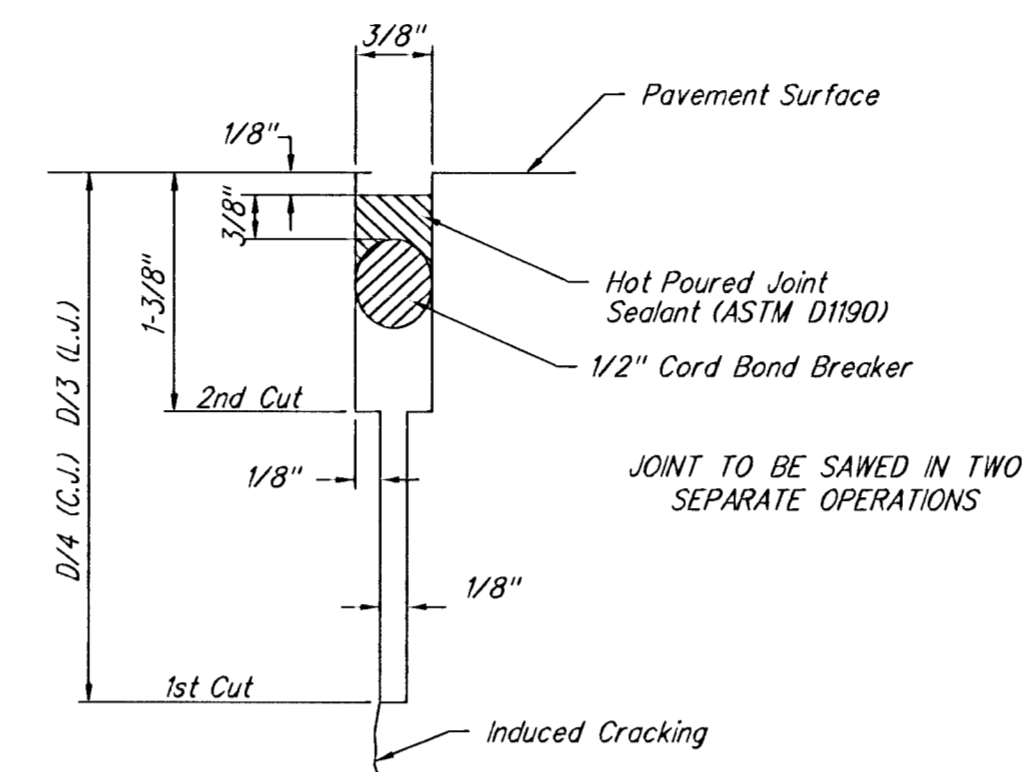


EXPANSION JOINT

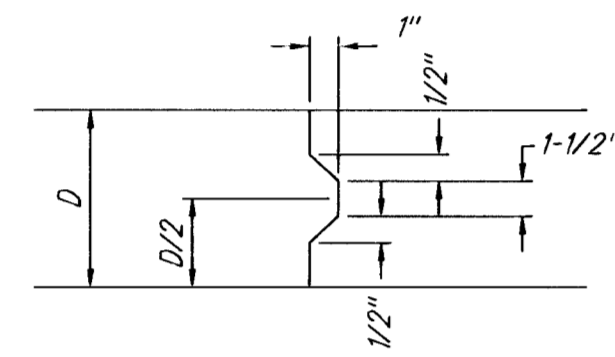
NOTE: Extra Thickness to be Subsidiary to Price of Square Yards Pavement



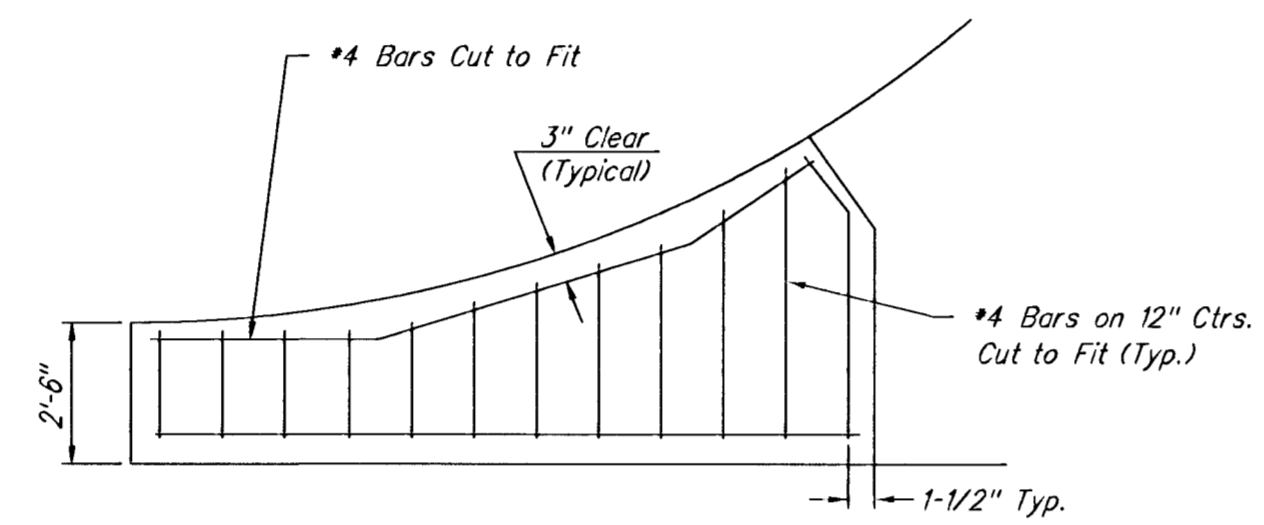
OPTIONAL CONTRACTION JOINT



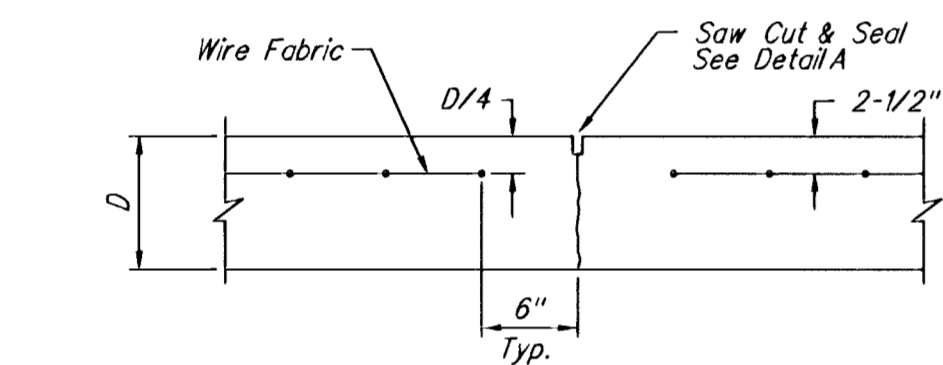
SAW JOINT DETAIL



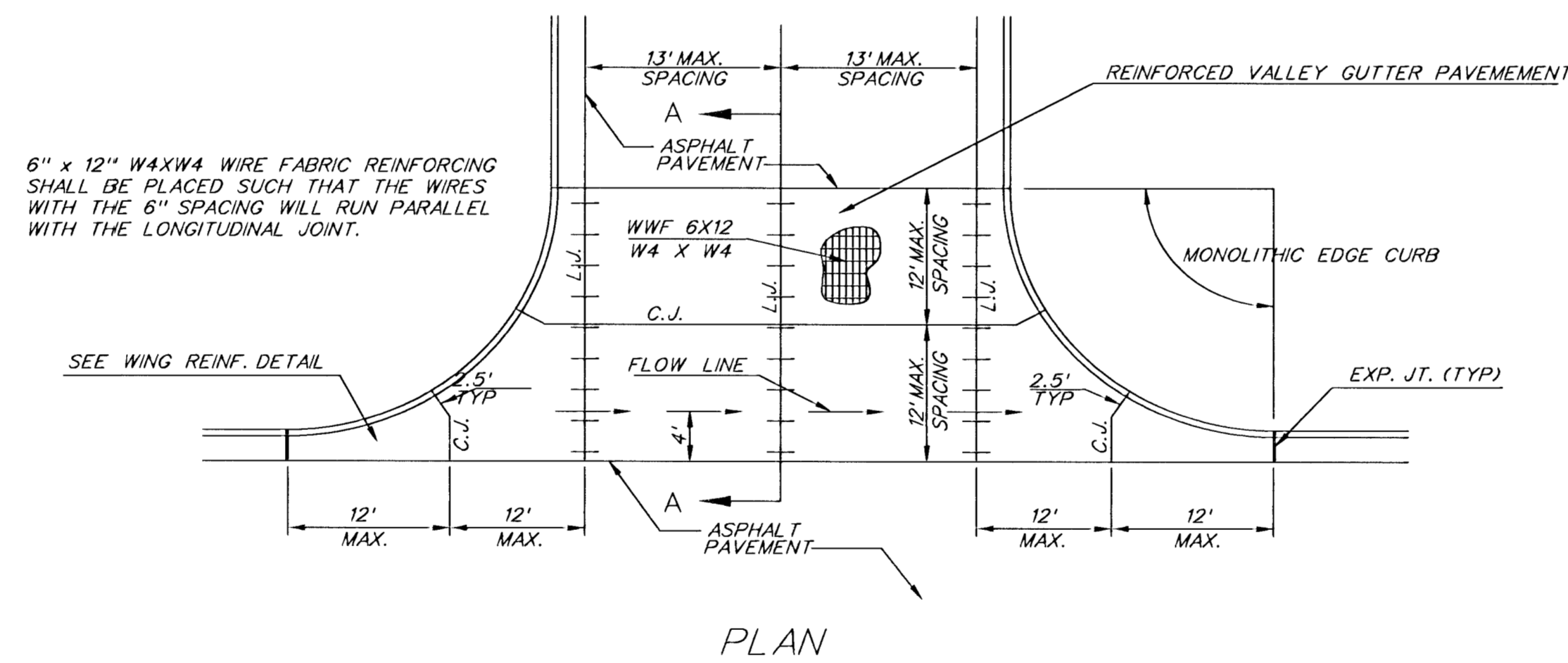
KEYWAY DETAIL



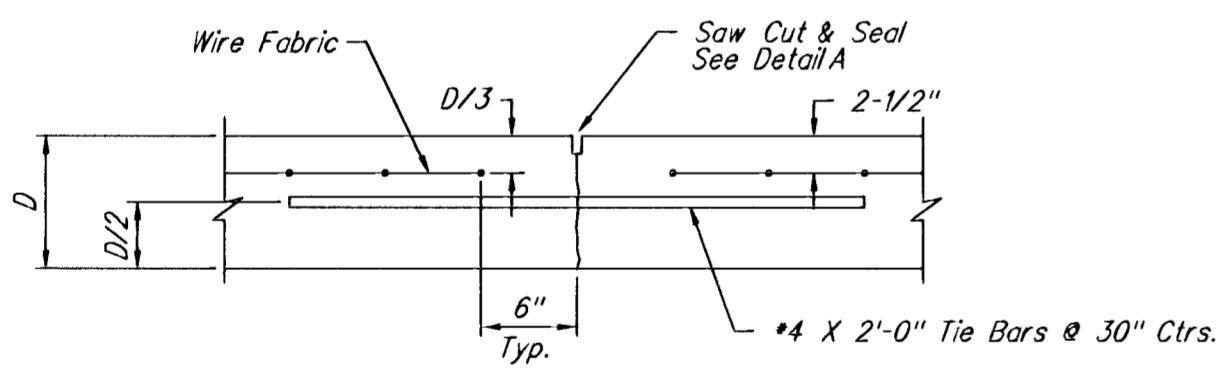
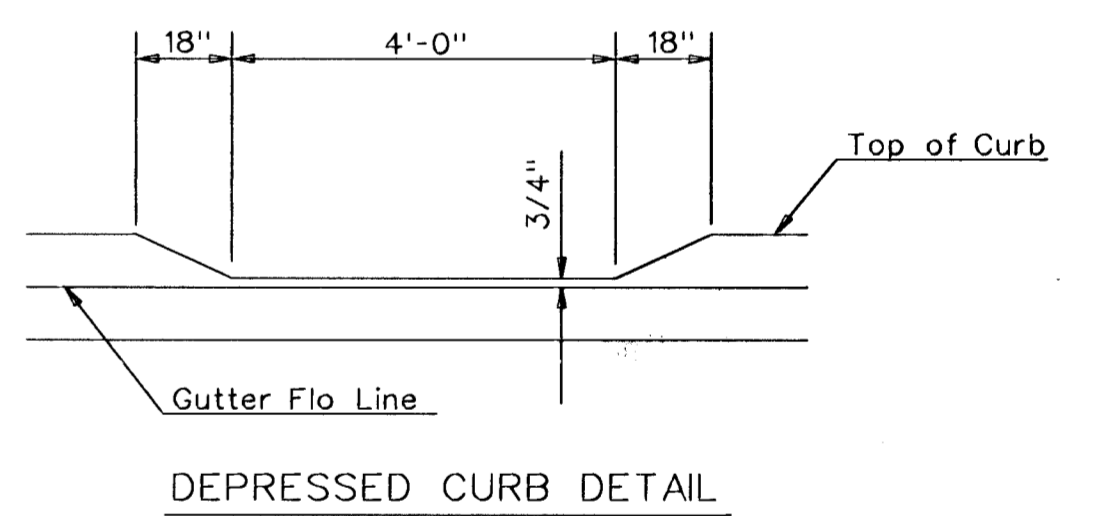
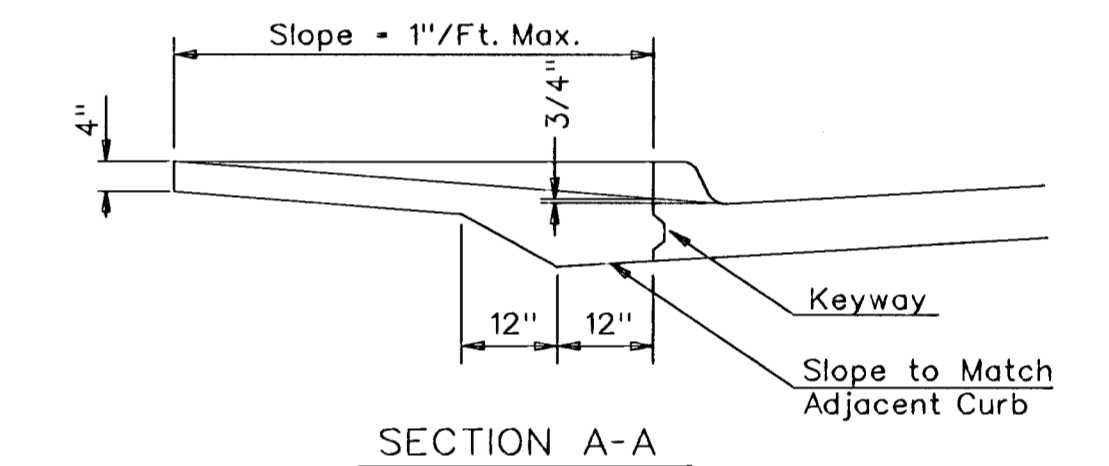
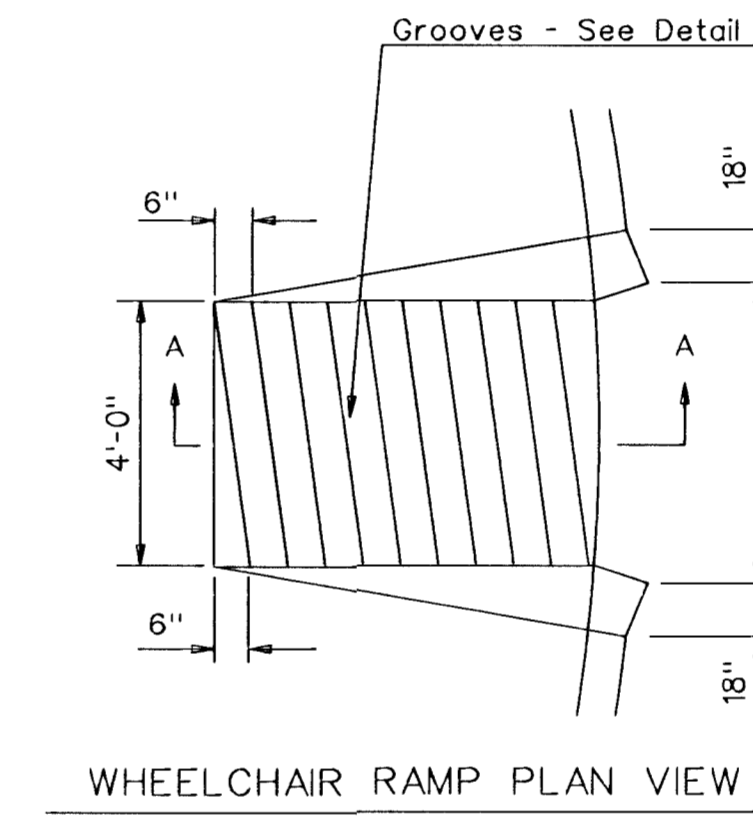
WING REINFORCING DETAIL



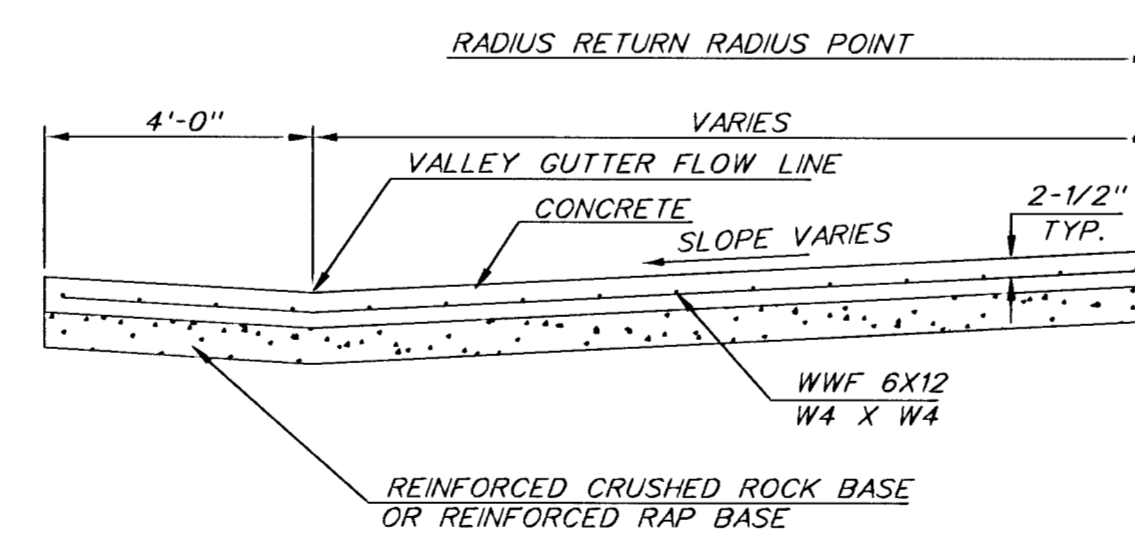
CONTRACTION JOINT DETAIL (C.J.)



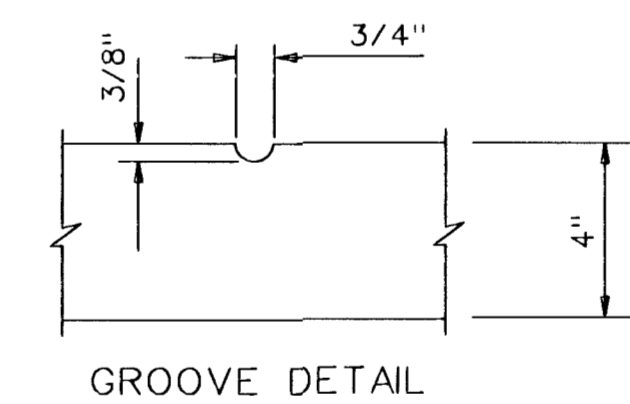
6" x 12" W4XW4 WIRE FABRIC REINFORCING SHALL BE PLACED SUCH THAT THE WIRES WITH THE 6" SPACING WILL RUN PARALLEL WITH THE LONGITUDINAL JOINT.



LONGITUDINAL JOINT DETAIL (L.J.)



REINFORCED VALLEY GUTTER DETAIL



WHEELCHAIR RAMP DETAIL

OPTIONAL LONGITUDINAL JOINT DETAIL (L.J.)

<p>THE CITY OF WICHITA CITY ENGINEER'S OFFICE CITY HALL - SEVENTH FLOOR 455 NORTH MAIN STREET WICHITA, KANSAS 67202 (316) 268-4501 (316) 268-4114 FAX</p>	<p>VALLEY GUTTER DETAILS WHEELCHAIR RAMP DETAILS</p>	
	<p>NEIL D. CABLE P.E. - CITY ENGINEER</p>	
	<p>PROJECT NUMBER XXX-XXXX</p>	<p>INDEX CODE XXXXXX</p>
	<p>DATE MAR 96</p>	<p>SHEET 11 OF 28</p>