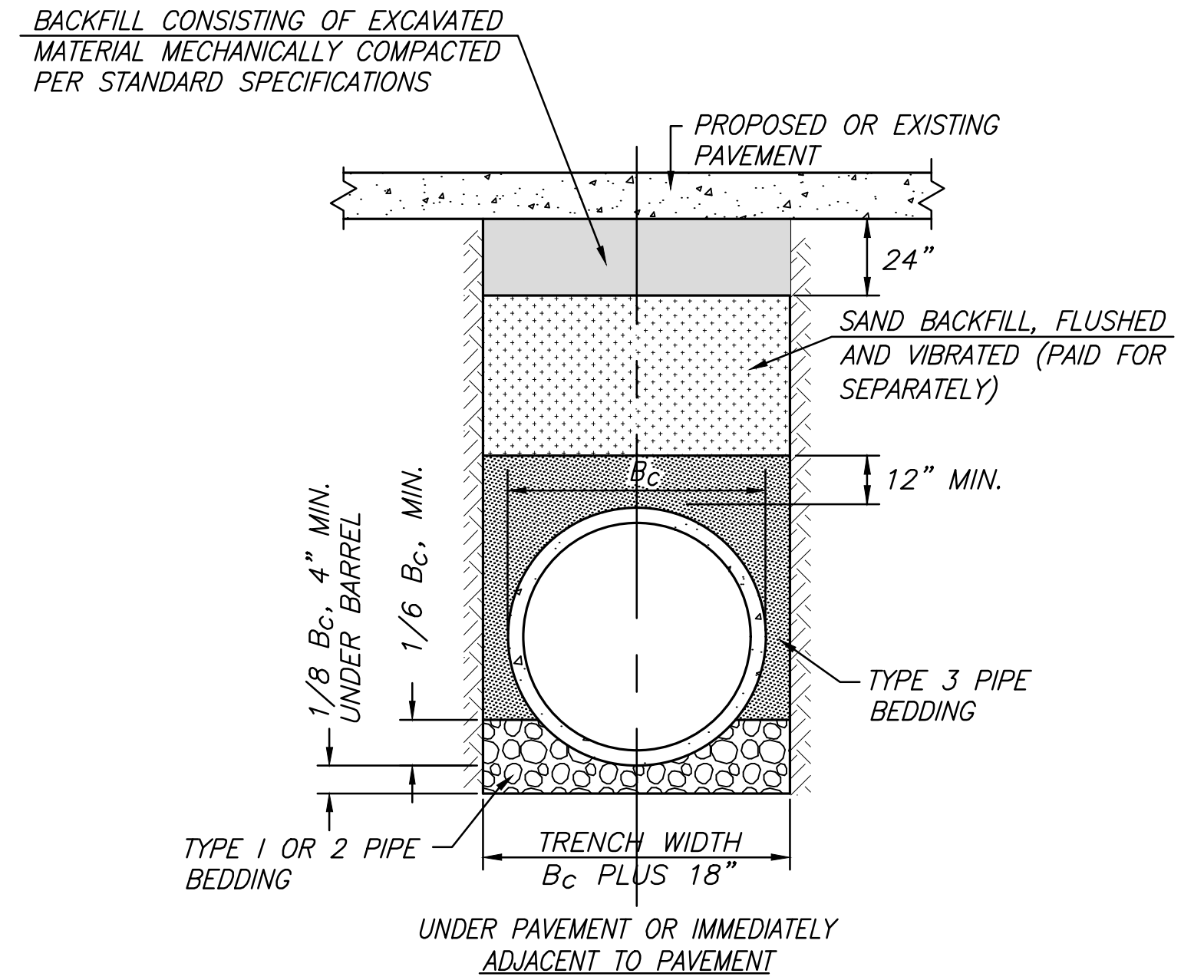
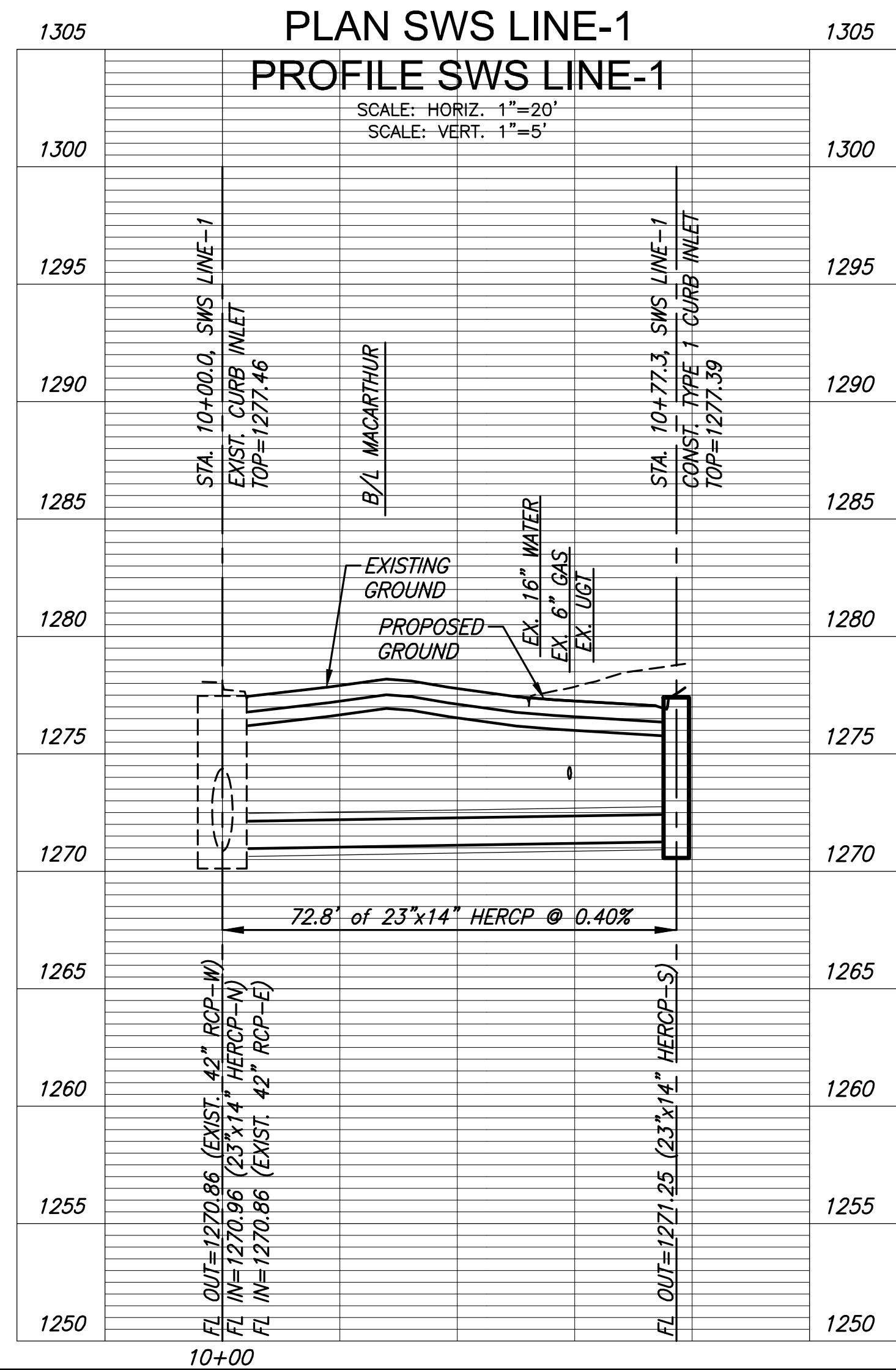
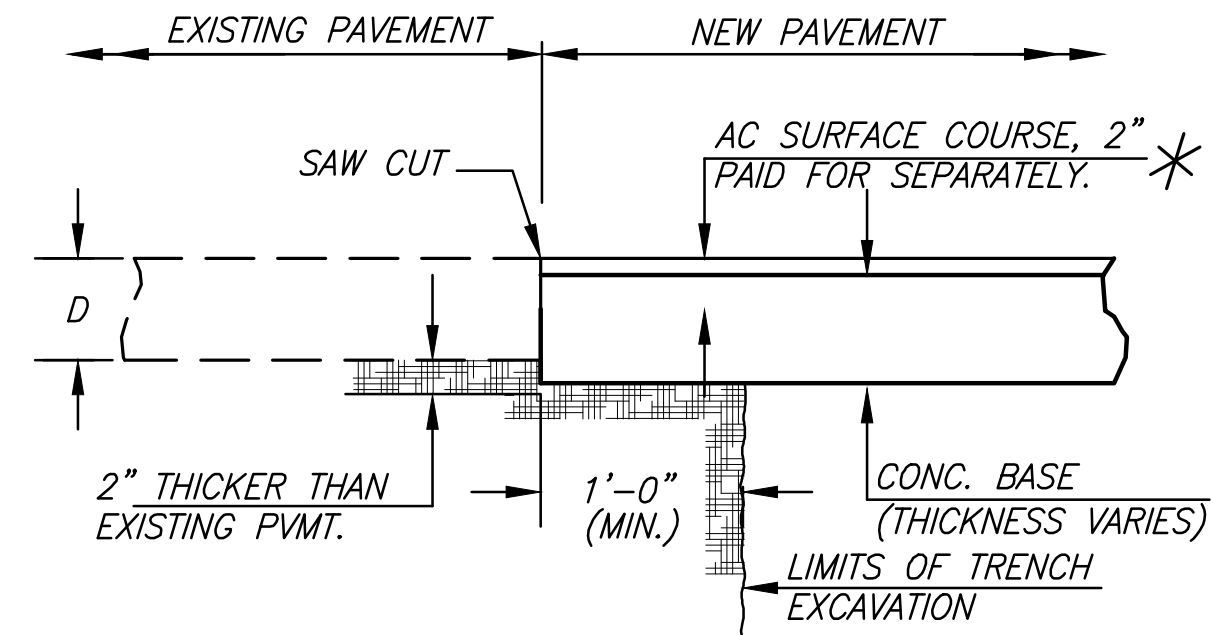
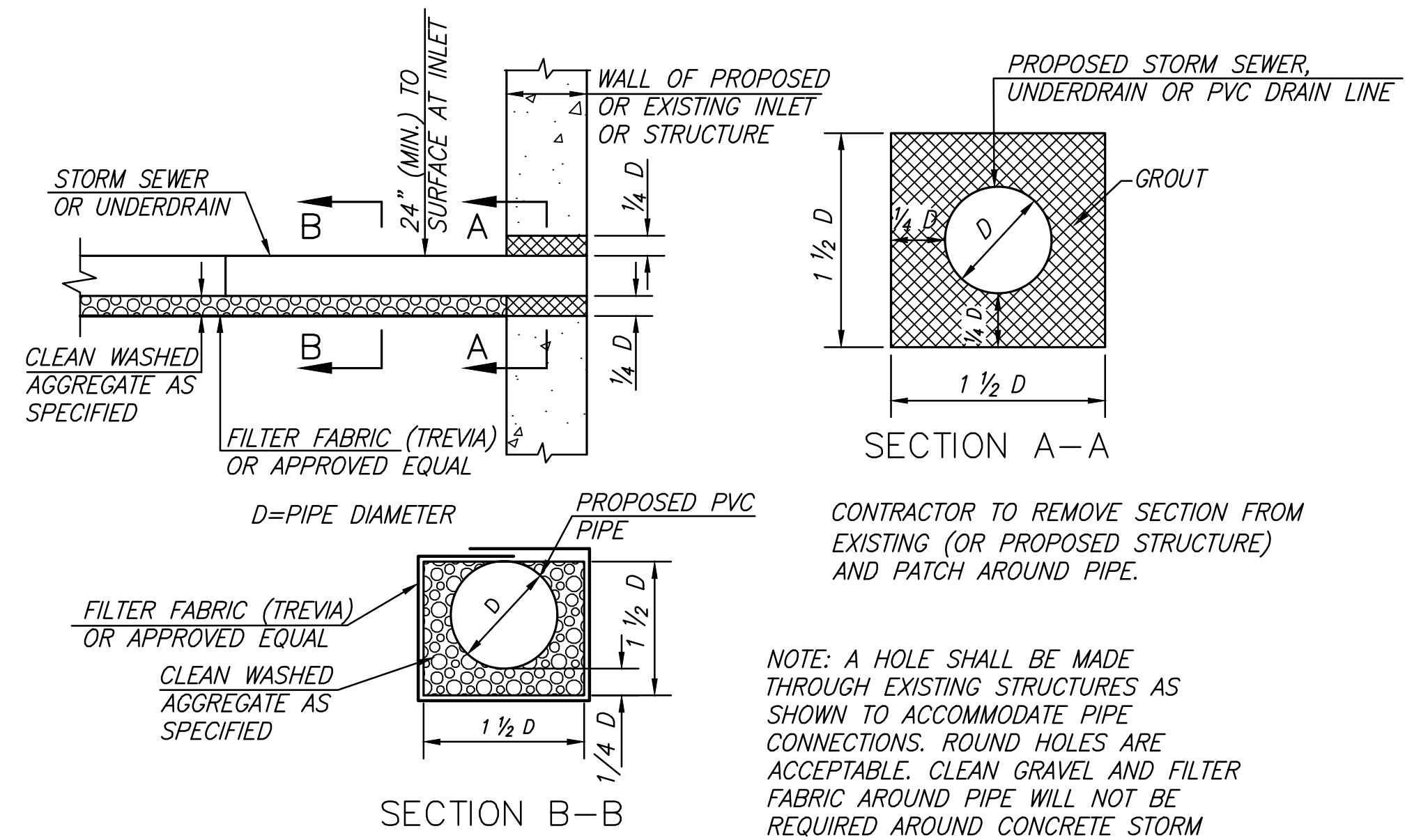


REMOVE AND REPLACE
45 L.F. OF CONCRETE
PAVEMENT. SEE DETAIL
THIS SHEET.



STORM SEWER TRENCH DETAILS



PERMANENT PAVEMENT PATCH DETAIL

* FOR CONCRETE PAVEMENTS, ENTIRE PATCH SHALL BE CONCRETE AT 2" THICKER THAN EXISTING PAVEMENT. FOR ALL PATCHES, CONCRETE SHALL BE PAID FOR AS "CONCRETE PAVEMENT REMOVED AND REPLACED."

©2018
MKEC Engineering
All Rights Reserved
www.mkec.com
These drawings and their contents, including, but not limited to, all concepts, designs, & ideas are the exclusive property of MKEC Engineering (MKEC), and may not be used or reproduced in any way without the express consent of MKEC.

STORM SEWER
LINE-1

PROJECT NO.	472-85450
DATE	1/02/19
SCALE	1"=20'
DESIGNED	JRA
DRAWN	WNJ
CHECKED	JRA

NO.	REVISION	DATE

SHEET NO.