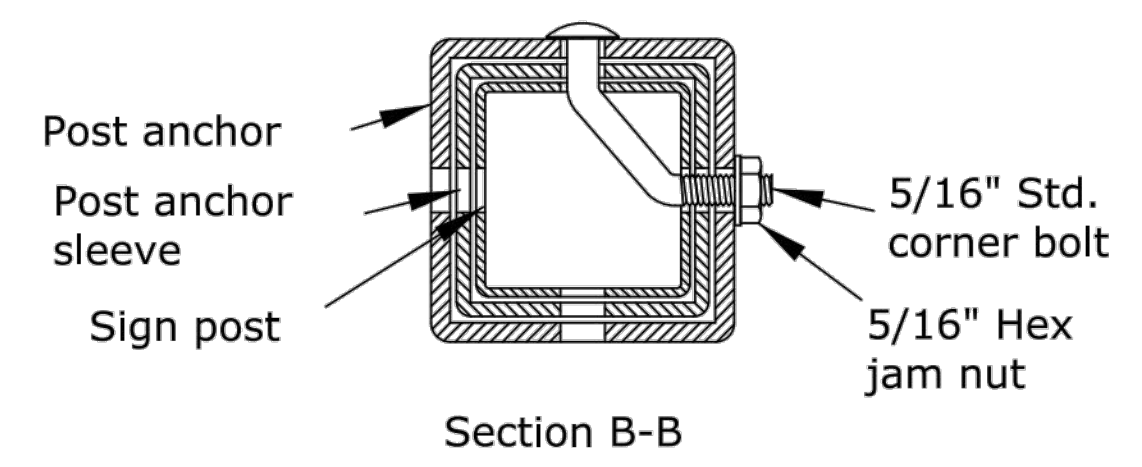
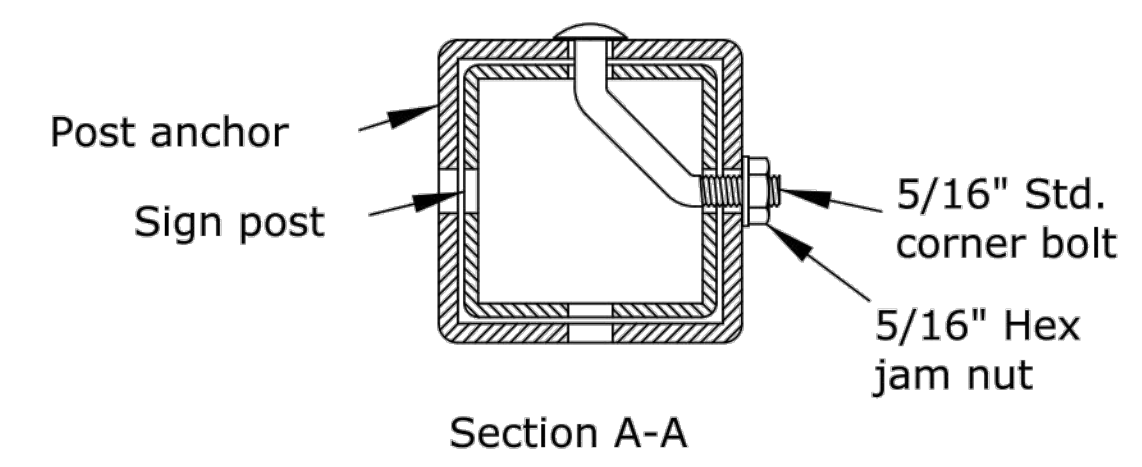
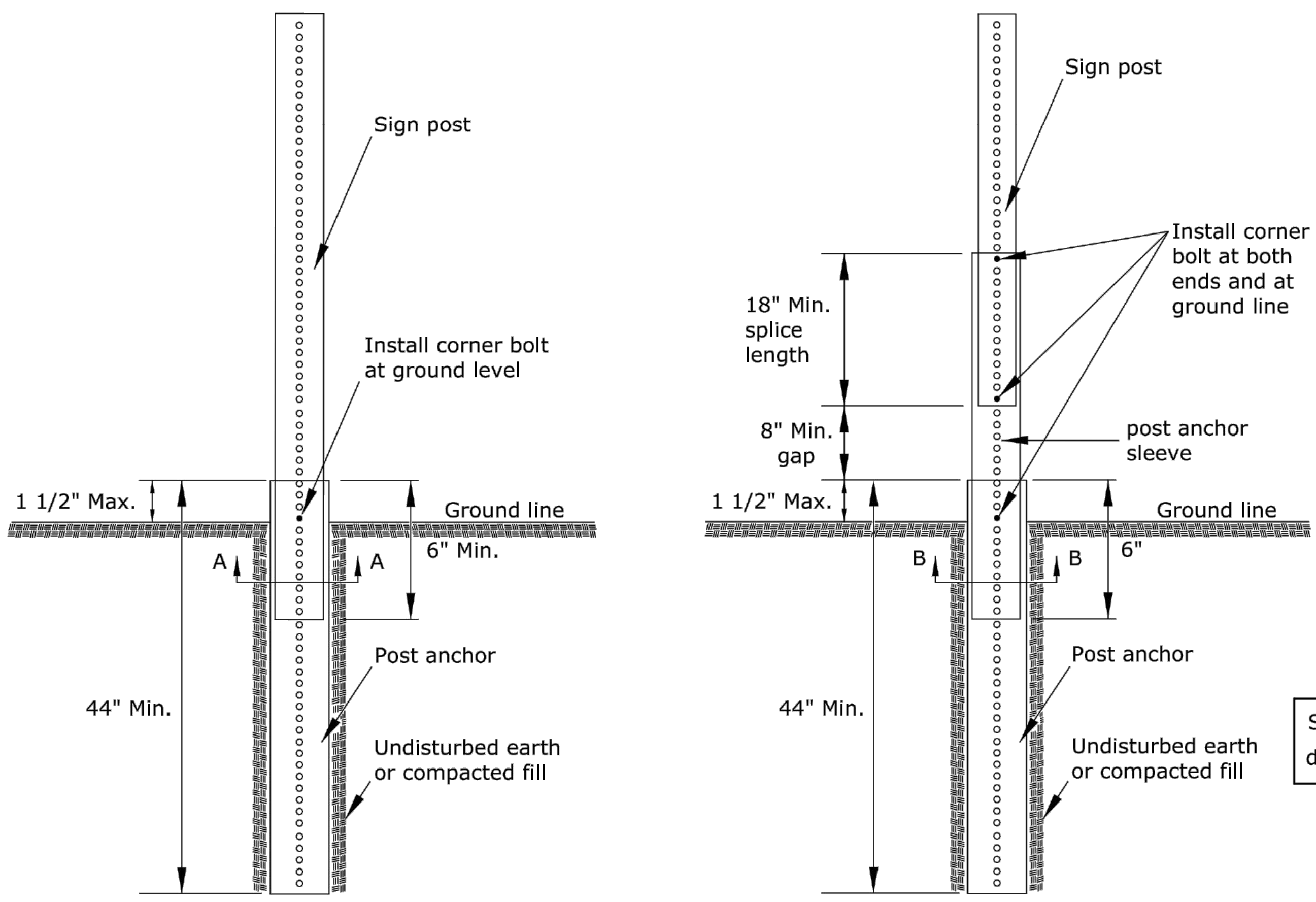


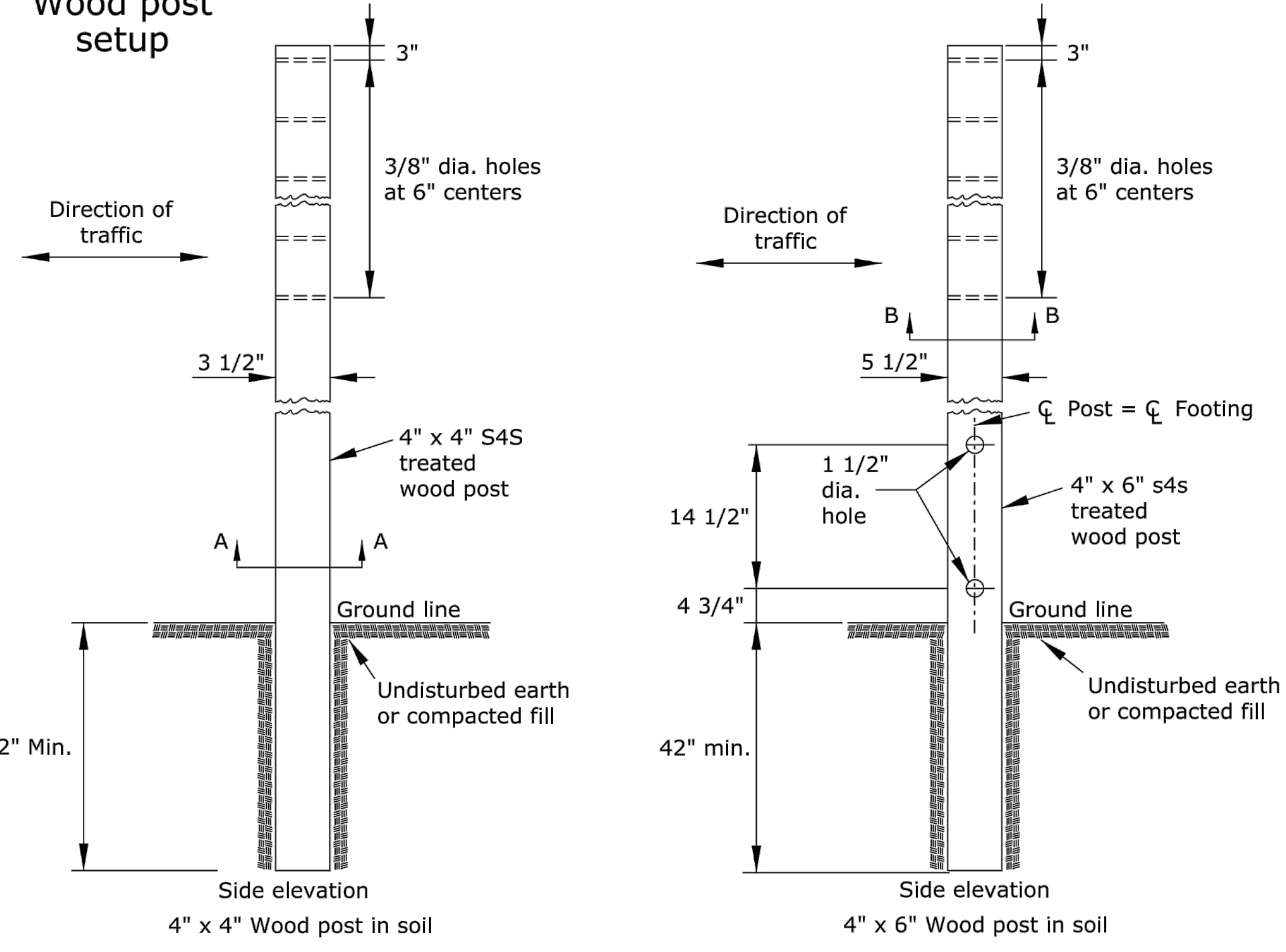
PLOTED: Friday, December 26, 2014 @ 12:07PM

Perforated square steel tube (P.S.S.T.) post setup



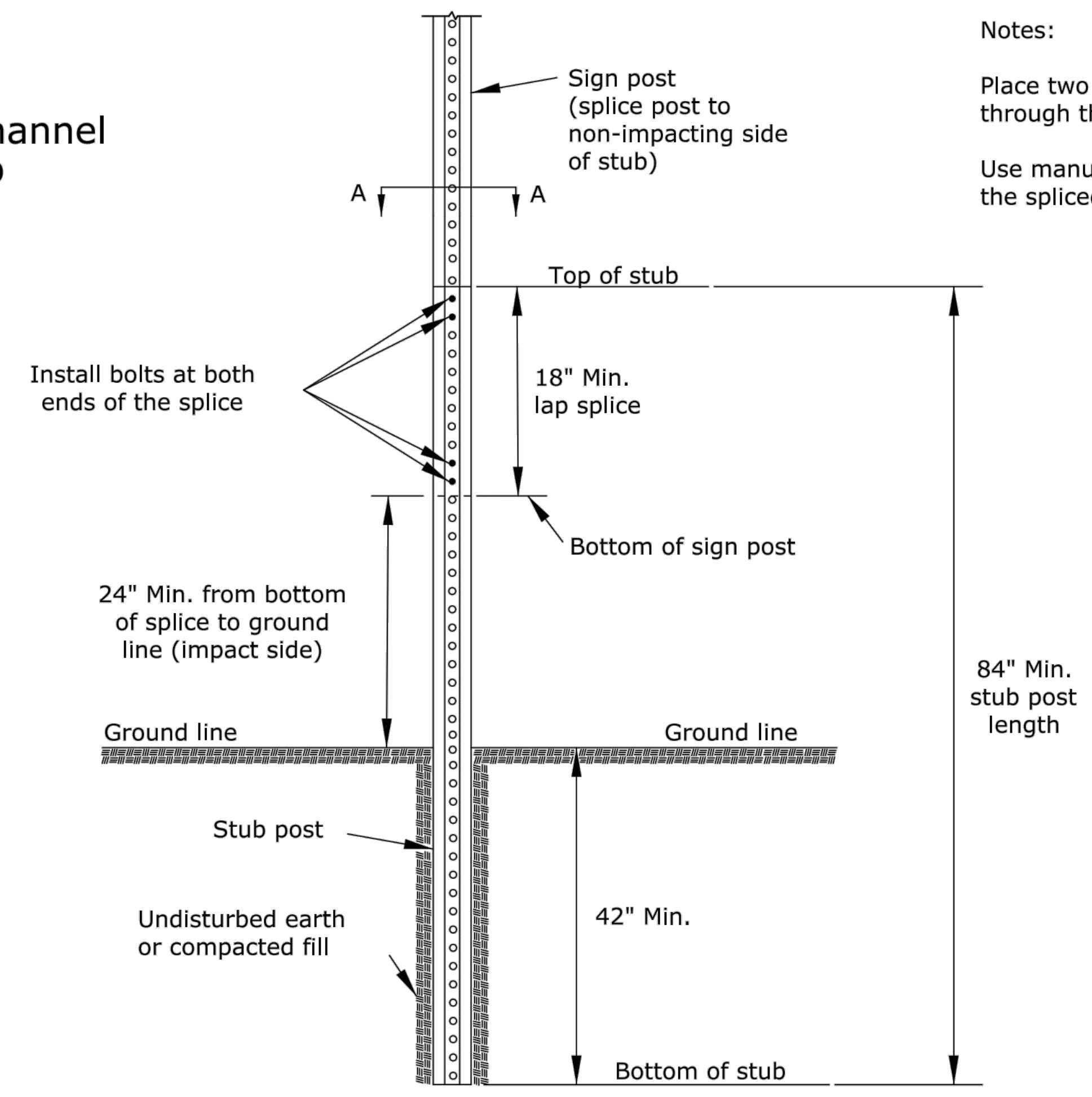
Details for 2", 2 1/4", or 2 1/2" sign posts
Place bolts in the same corner along each sign post.

Wood post setup



See TE710 for additional details and requirements

3 lb/f U-Channel setup



STATE	PROJECT NO.	YEAR	SHEET NO.	TOTAL SHEETS
KANSAS	472-85450	2019	33	38

3				
2				
1				
NO.	DATE	REVISIONS	BY	APP'D

KANSAS DEPARTMENT OF TRANSPORTATION

TRAFFIC CONTROL SIGN POSTS

TE712

DESIGNED	B.A.H./DETAILED	06/01/15	APP'D	Kristina Pyle
DESIGN CK.	DETAIL CK.	QUAN. CK.	TRACE	CK.

KDOT Graphics Certified 06-01-2015 Sh. No. 33

J:\PROJECTS\2017\1010143_LANGE_STEERLE_BAY_1743_CAD\SHI\S105 CIVIL\MACARTHUR STREET IMPROVEMENTS\17143_MACARTHUR_TC04.DWG