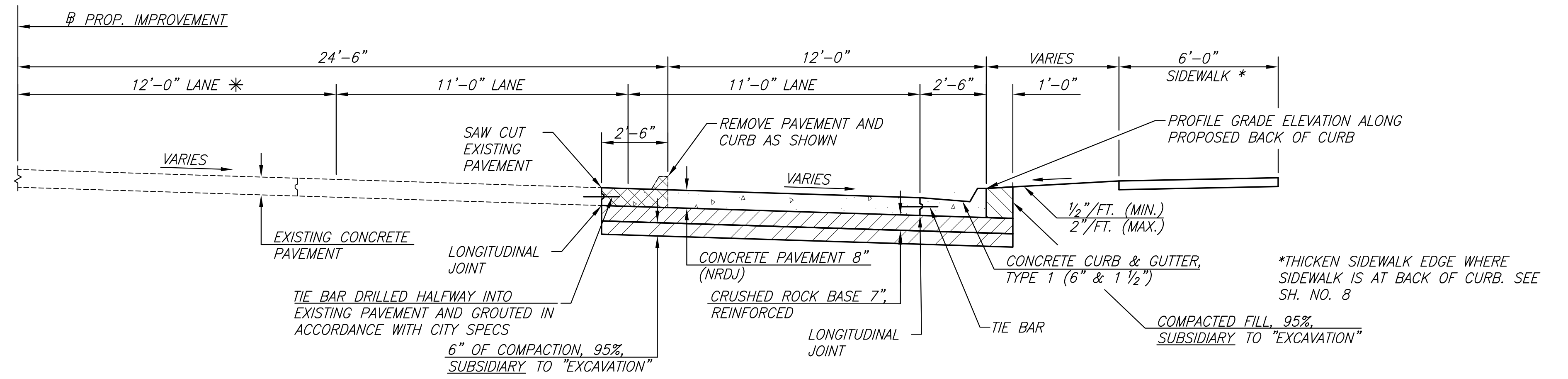


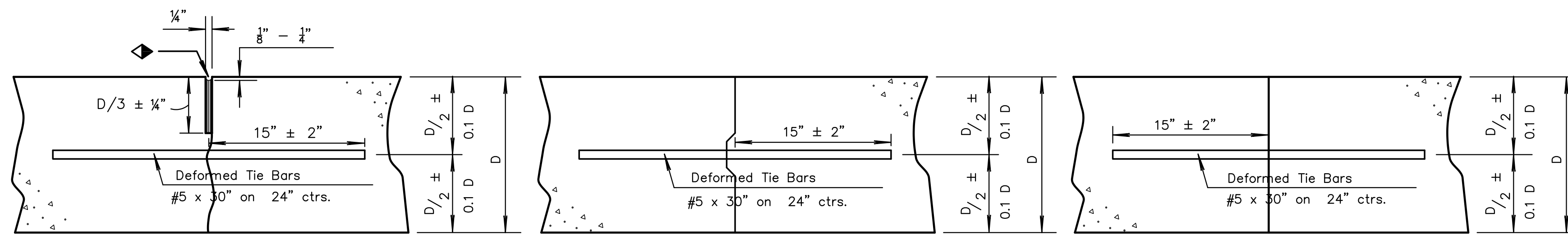
TYPICAL JOINTING PLAN



TYPICAL SECTION

STA. 46+93.62 TO STA. 55+10.54

\* STA. 46+93.62 TO STA. 49+43.99 - VARIES FROM 0'-0" TO 12'-0"  
 STA. 49+43.99 TO STA. 52+53.16 - 12'-0"  
 STA. 52+53.16 TO STA. 55+37.50 - VARIES FROM 12'-0" TO 14'-3"



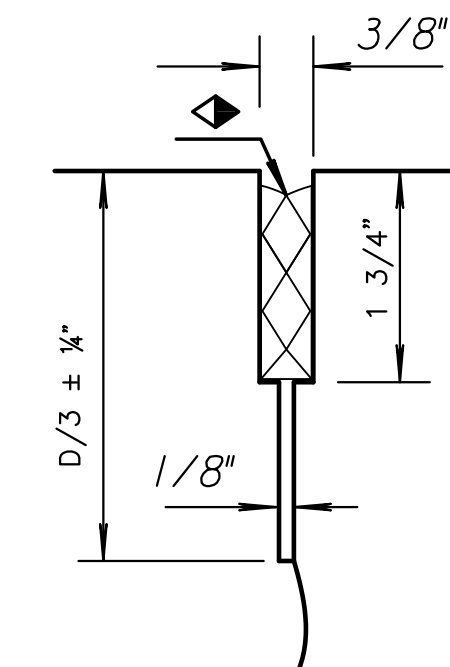
Tied Non-Keyed

Tied Keyed Construction

Tied Butt Construction

Note: For longitudinal construction joints the contractor has the option of using either the keyed or butt type. Place deformed tie bars mid-depth of the shoulder.

LONGITUDINAL JOINTS

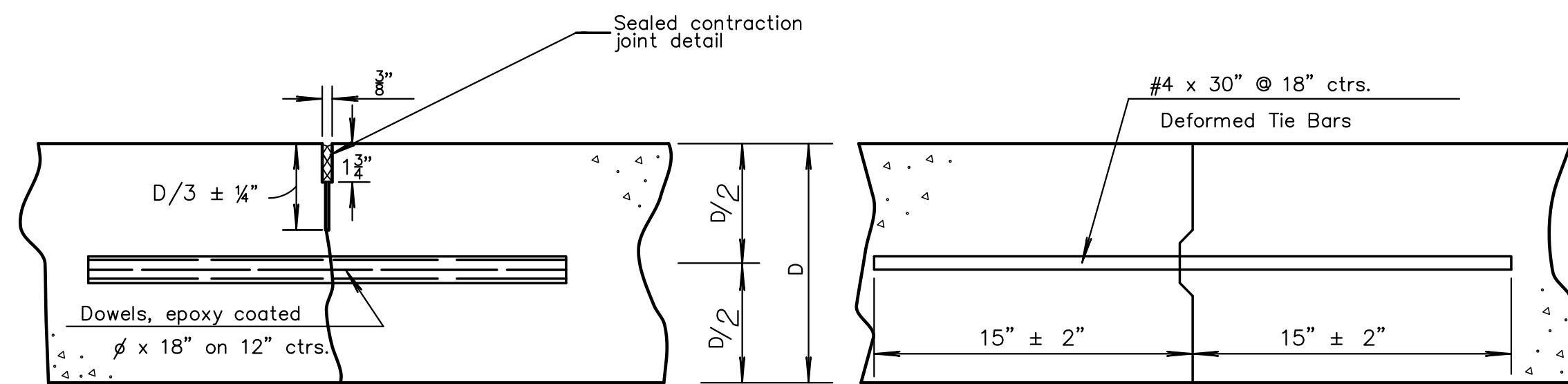


DETAIL OF SEALED CONTRACTION JOINT SAWCUT

Make an initial 3/8" saw cut (D/3 ± 1/4" depth); the second 3/8" saw cut is a separate operation done after concrete has gained sufficient strength to avoid spalling as determined by the Engineer.

DOWEL SIZE	
D (in.)	Diameter
6 < D < 9	1"
9 ≤ D < 11	1 1/4"
D ≥ 11	1 1/2"

PAVEMENT DEPTH  
D=8"

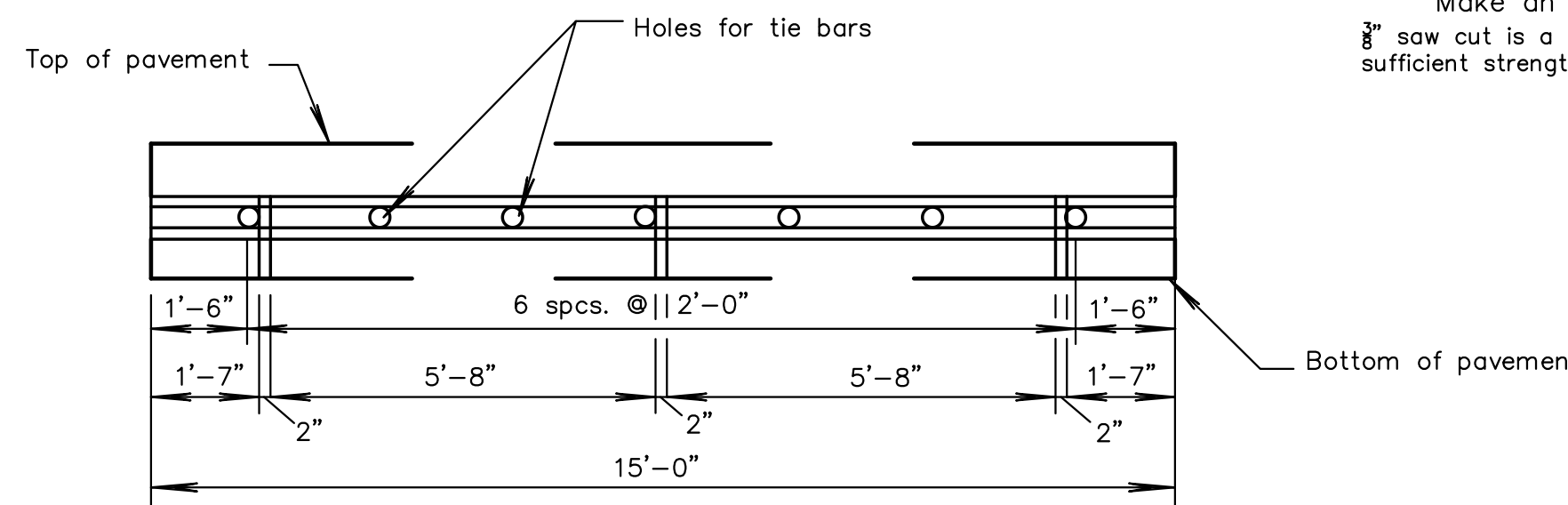


Contraction

Construction

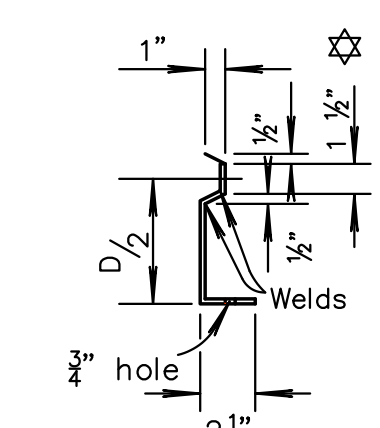
TRANSVERSE JOINTS

Note: Construct contraction joints at plan locations or at the Engineer's direction. When necessary to interrupt continuous placement for a substantial length of time or at the end of a day's paving, the Contractor has the option of ending placement at a contraction joint or with a construction joint located a minimum of five (5) feet from a contraction joint. Construct either joint type by placing a header at the end of the pour or by paving past the joint location. After the concrete has hardened, saw joint and drill holes for tie bars or dowels.




METAL STRIP FOR LONGITUDINAL CONSTRUCTION JOINT

To be used only against forms, do not extend through contraction joints. For automated placement tie bars are spaced at uniform 24" centers. Use snap-in leg or other approved design in lieu of welded leg.



SECTION OF RECESSED FORM LEG



**CITY OF WICHITA**  
PUBLIC WORKS & UTILITIES  
ENGINEERING DIVISION

REVISOR: NOVEMBER 2015

**CONCRETE PAVEMENT  
DOWEL JOINTED  
NON-REINFORCED**

CITY ENGINEER  
**GARY JANZEN, P.E.**

PROJECT NUMBER <b>472-85451</b>	OCA NUMBER <b>766424</b>	DATE
------------------------------------	-----------------------------	------

CITY ENGINEER'S OFFICE  
CITY HALL - SEVENTH FLOOR  
455 NORTH MAIN STREET  
WICHITA, KANSAS 67202-1620  
(316) 268-4501

SHEET  
**6 OF 37**