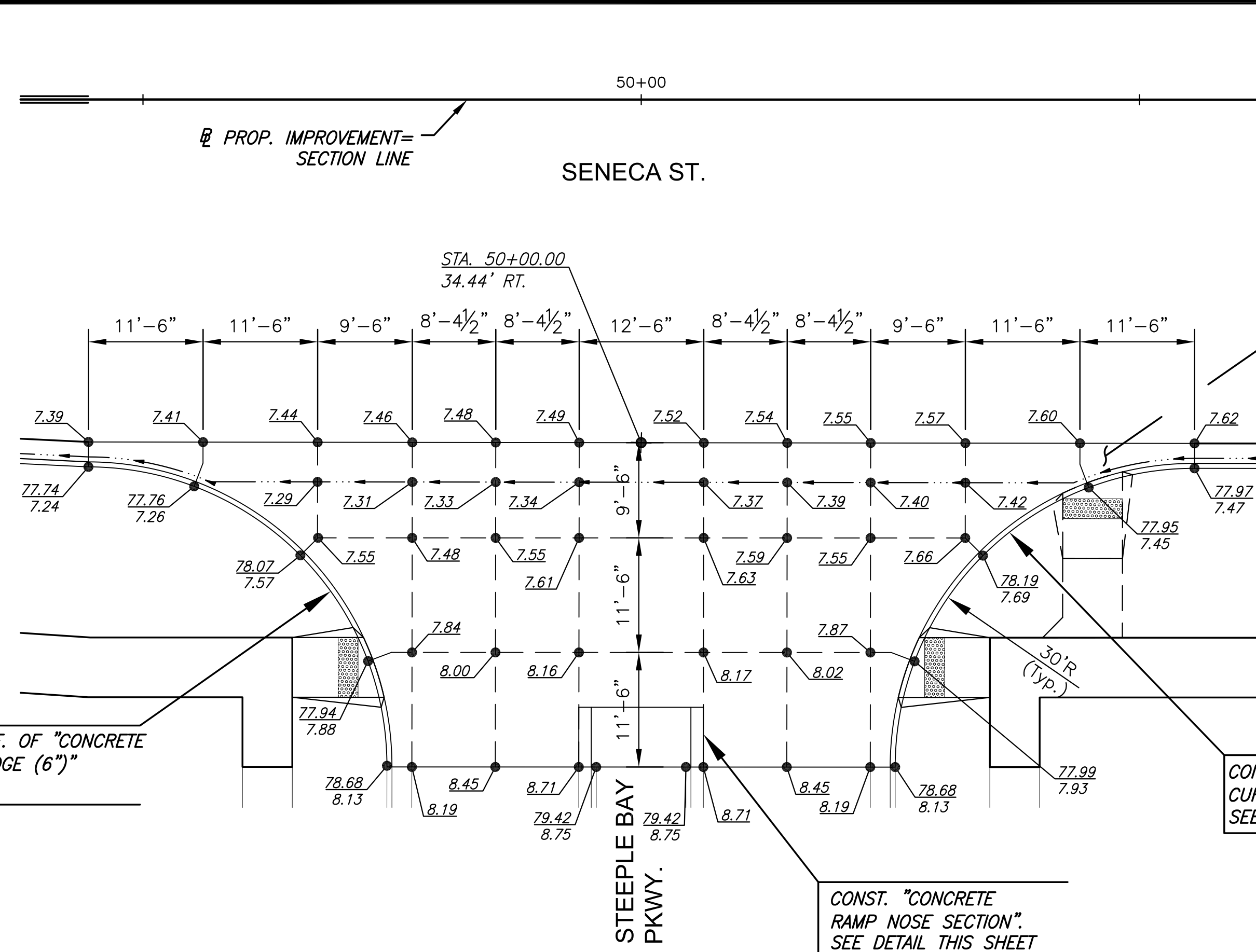


PLOTTED: Friday, December 28, 2018 @ 10:13AM

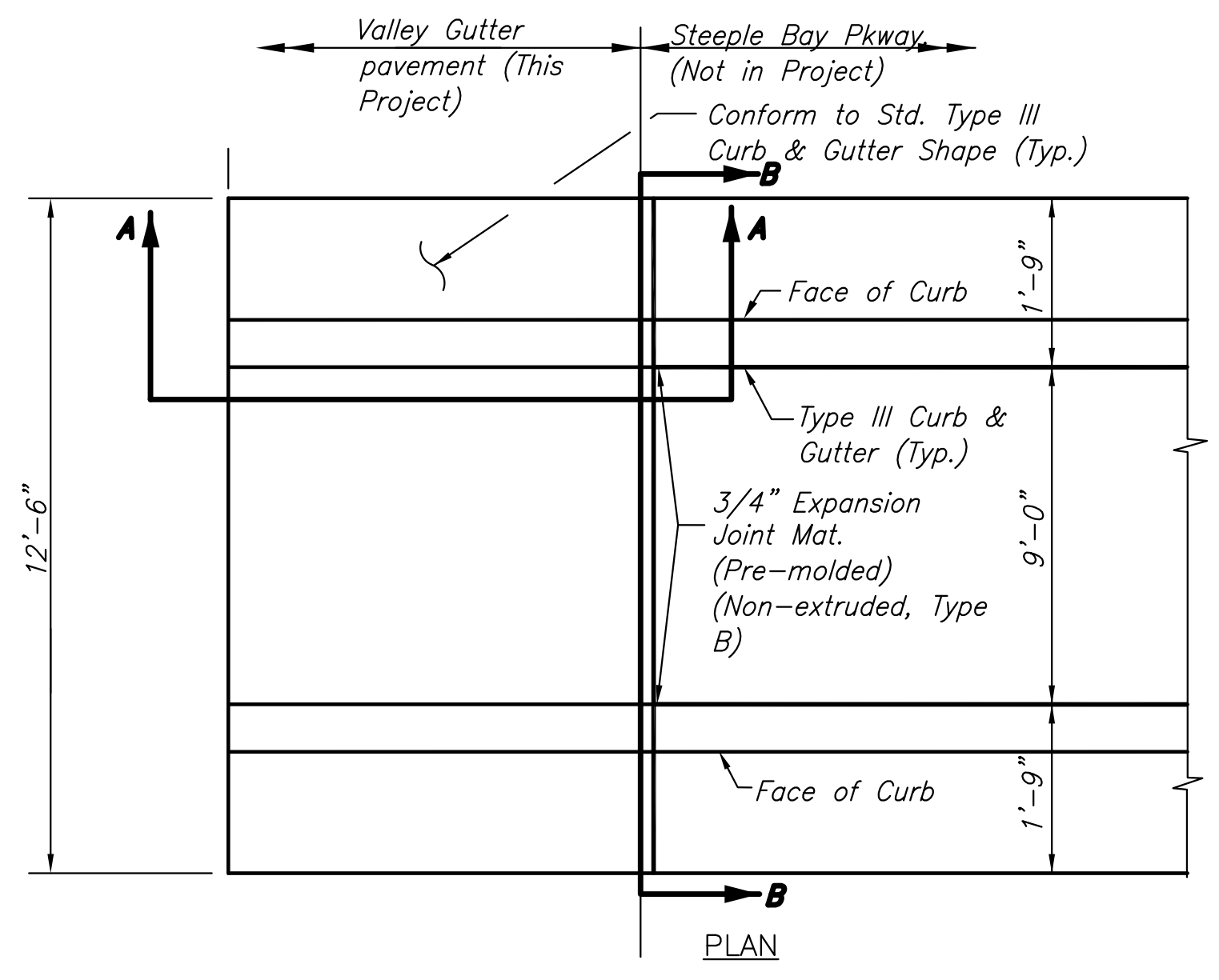
J:\PROJECTS\2017\1701010143_LANES_STEEPLE BAY_17143_CADD\SHOTS\05_CIVIL\SENECA STREET IMPROVEMENTS\17143_SENECA_EJ01.DWG



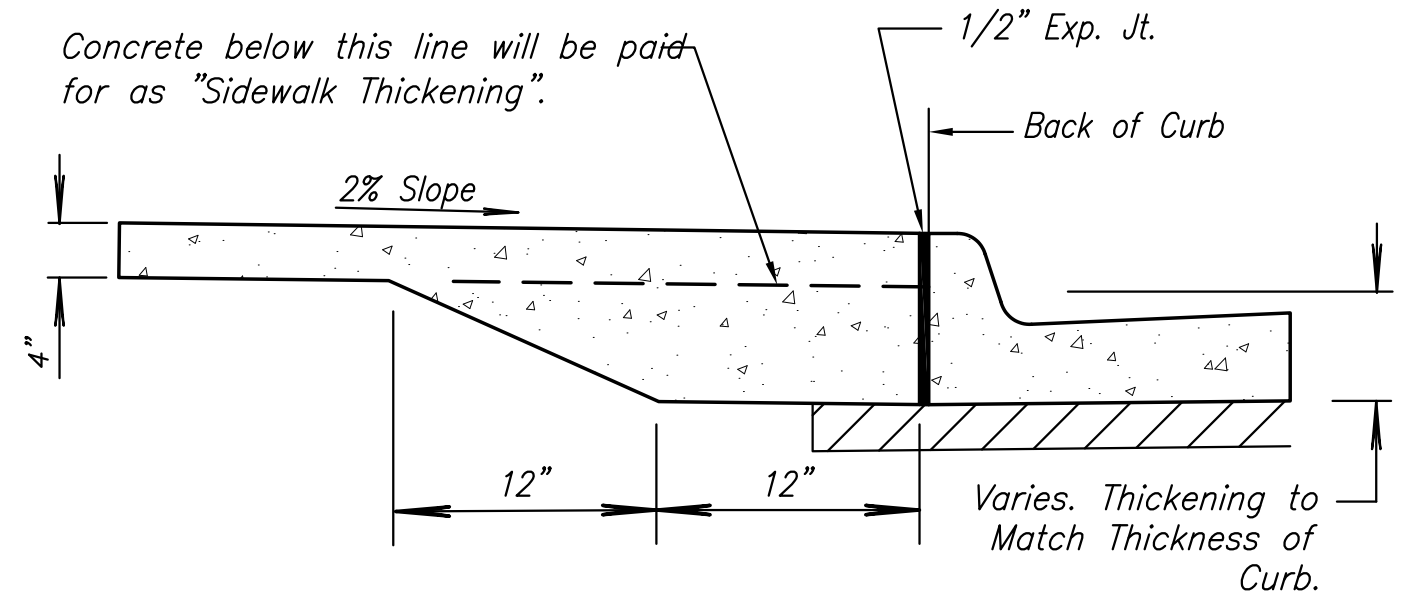
STEEPLE BAY PKWY., 34.44' RT.

Scale: 1"=10'

VALLEY GUTTER PLAN

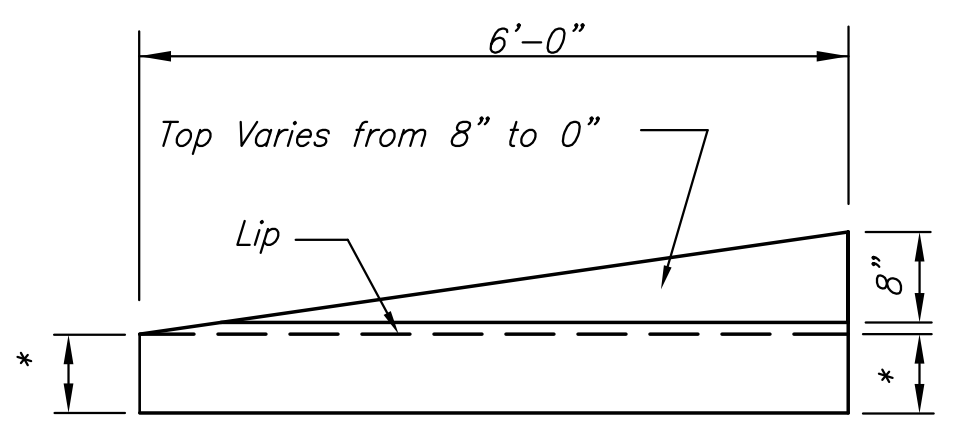


CONCRETE MEDIAN NOSE

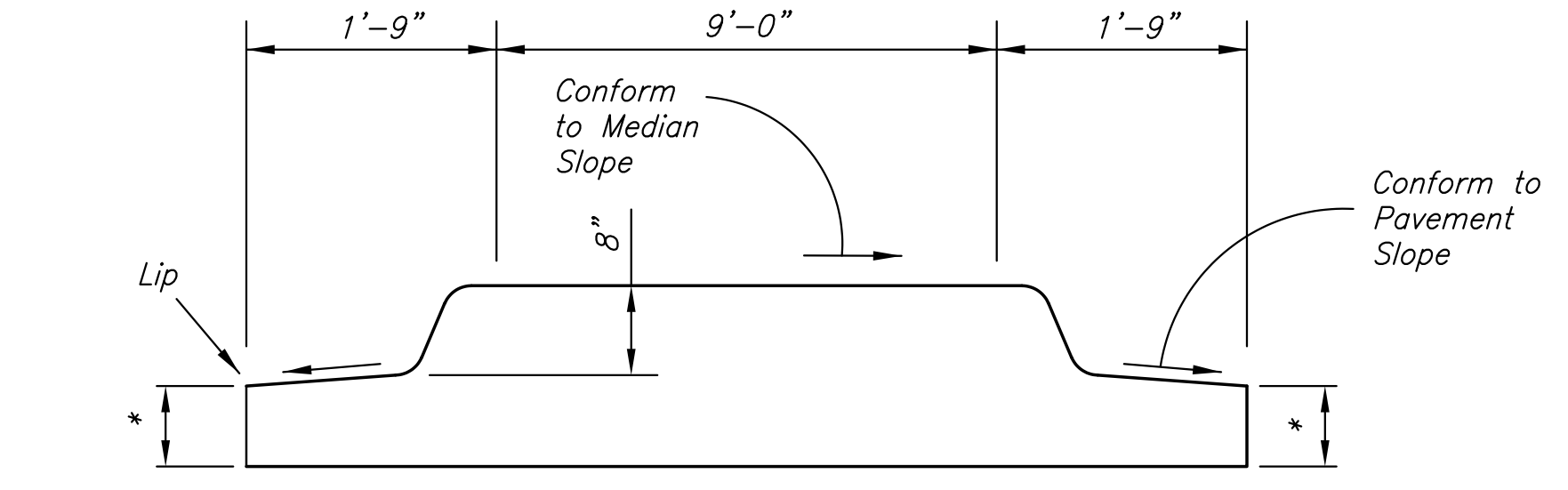


SIDEWALK THICKENING

Note: All Sidewalk at Back of Curb Shall Conform to this Detail



SECTION A-A



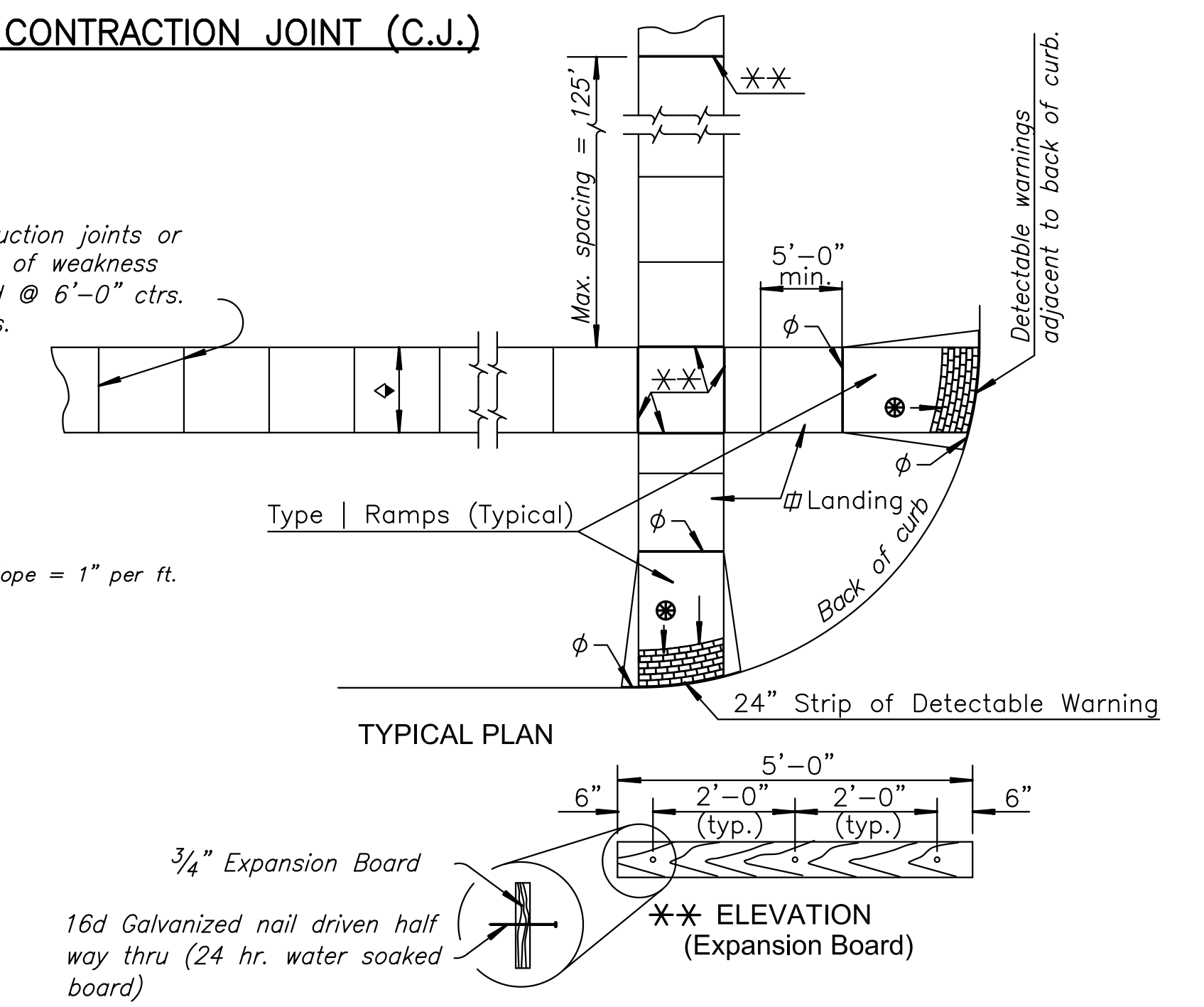
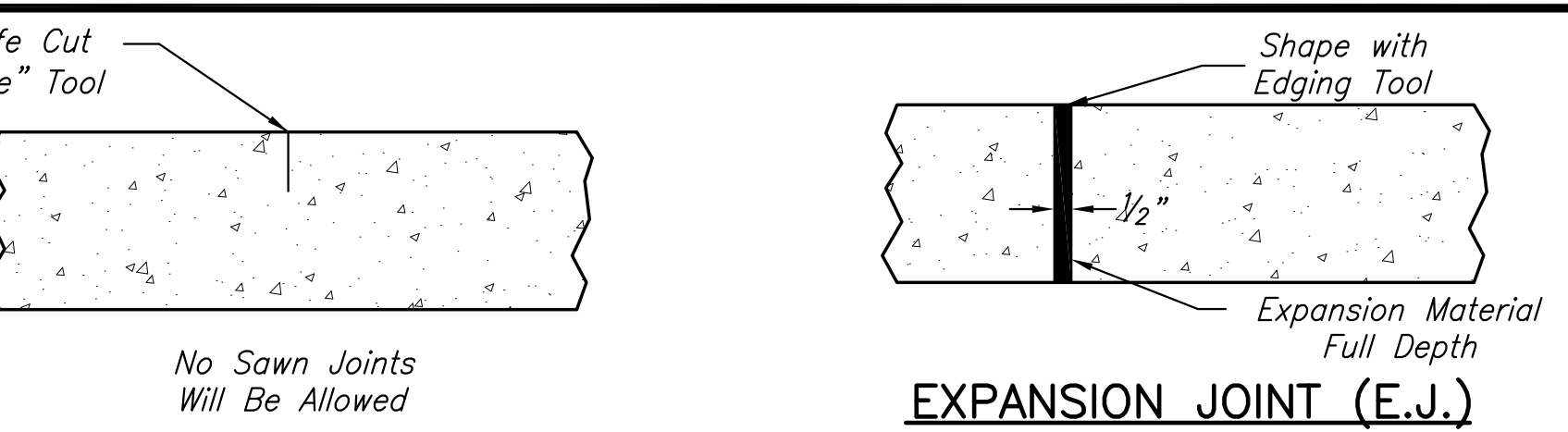
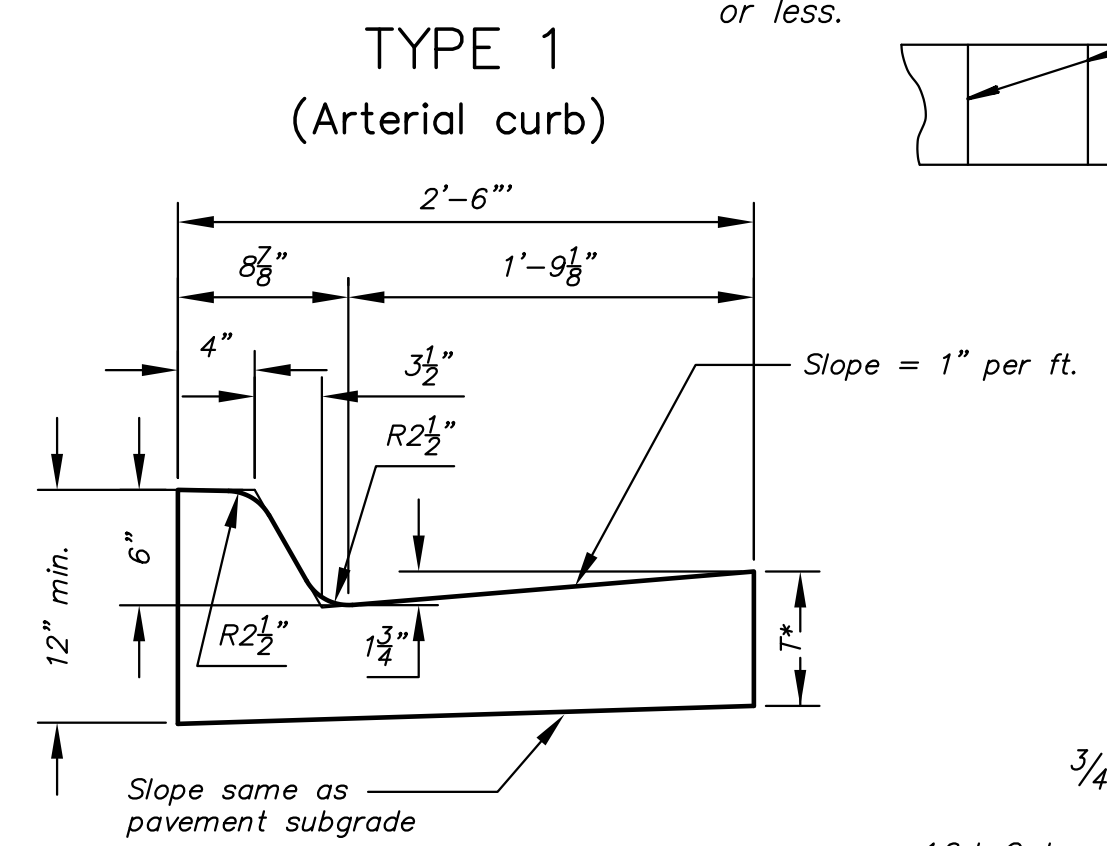
SECTION B-B

* match pavement thickness

CURB & GUTTER NOTES

- Expansion (isolation) joints shall be constructed a maximum of 300' apart and at all PIs, PCs, cul-de-sac quadrants, and ends of returns.
- Contraction joints shall be constructed a minimum of 12' apart.
- Joint sealer shall be required at all joints on arterial and industrial streets and at intersections on residential streets.

COMBINED CURB & GUTTER (6")



- Expansion Joint (3/4" board) placed at either back of curb line or at sidewalk back of curb line or at sidewalk line.
 - Expansion joint (3/4" board) located as shown.
 - Variable width (5'-0" min.). Entrance walk to be same width as approach walk. Use sidewalk width of 4'-0" where existing conditions prohibit use of 5'-0".
 - New construction ramp slopes are 12:1 or flatter. Desirable ramp slopes for existing sites are 12:1 or flatter. Where space limitations prohibit construction of a 12:1 slope on existing sites, use the following slopes:
8:1 or flatter for a maximum rise of 3 inches
10:1 or flatter for a maximum rise of 6 inches
 - Use a landing slope of 48:1 or flatter. Landings are the same width as ramp and a minimum 5'-0" in length.
 - Use a counter slope of 20:1 or flatter at the base of sidewalk ramps. See curb and gutter detail sheet.
 - Detectable warning installation is typical and required on Sidewalk Ramps Type 1, Type 2, Type 3, median ramp crossings and other locations as shown in the plans. See ramp detail sheet.
- Note: See plans for walks and ramps to be constructed as part of this project and for walks and ramps to be constructed with the future traffic signal installation.

TYPICAL SIDEWALK PLAN AND DETAILS



SENECA STREET IMPROVEMENTS FOR
STEEPLE BAY ADDITION
WICHITA, KANSAS

©2018 MKEC Engineering All Rights Reserved www.mkec.com
These drawings and their contents, including, but not limited to, all concepts, designs, & ideas are the exclusive property of MKEC Engineering (MKEC), and may not be used or reproduced in any way without the express consent of MKEC.

VALLEY GUTTER PLANS

PROJECT NO.	472-85451	
DATE	1/02/19	
SCALE	AS NOTED	
DESIGNED	DRAWN	CHECKED
JRA	RAM	JRA

NO.	REVISION	DATE