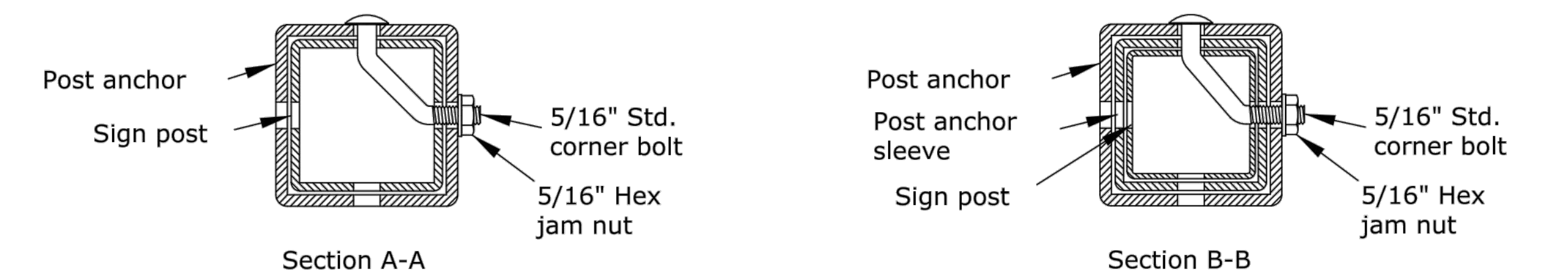
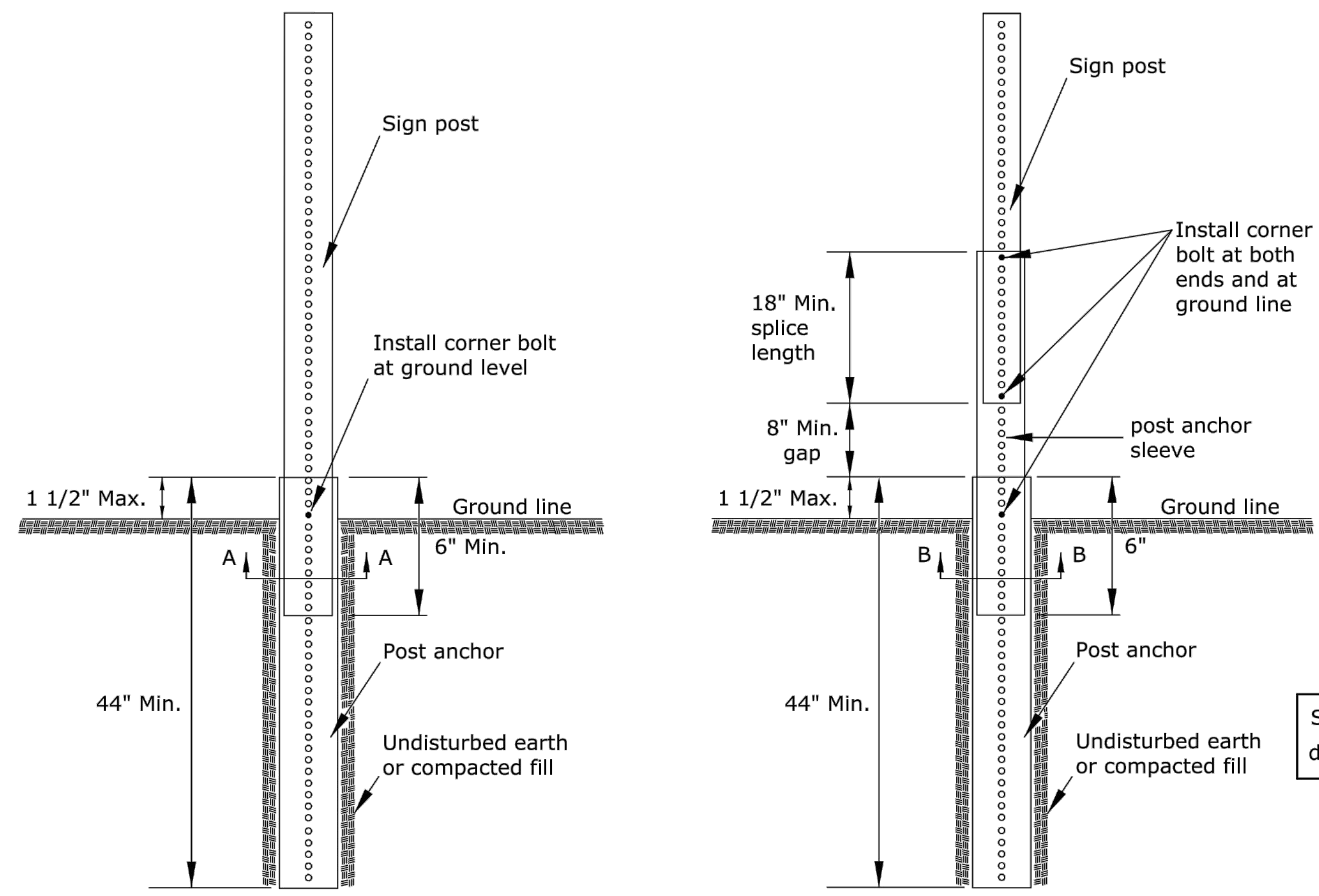


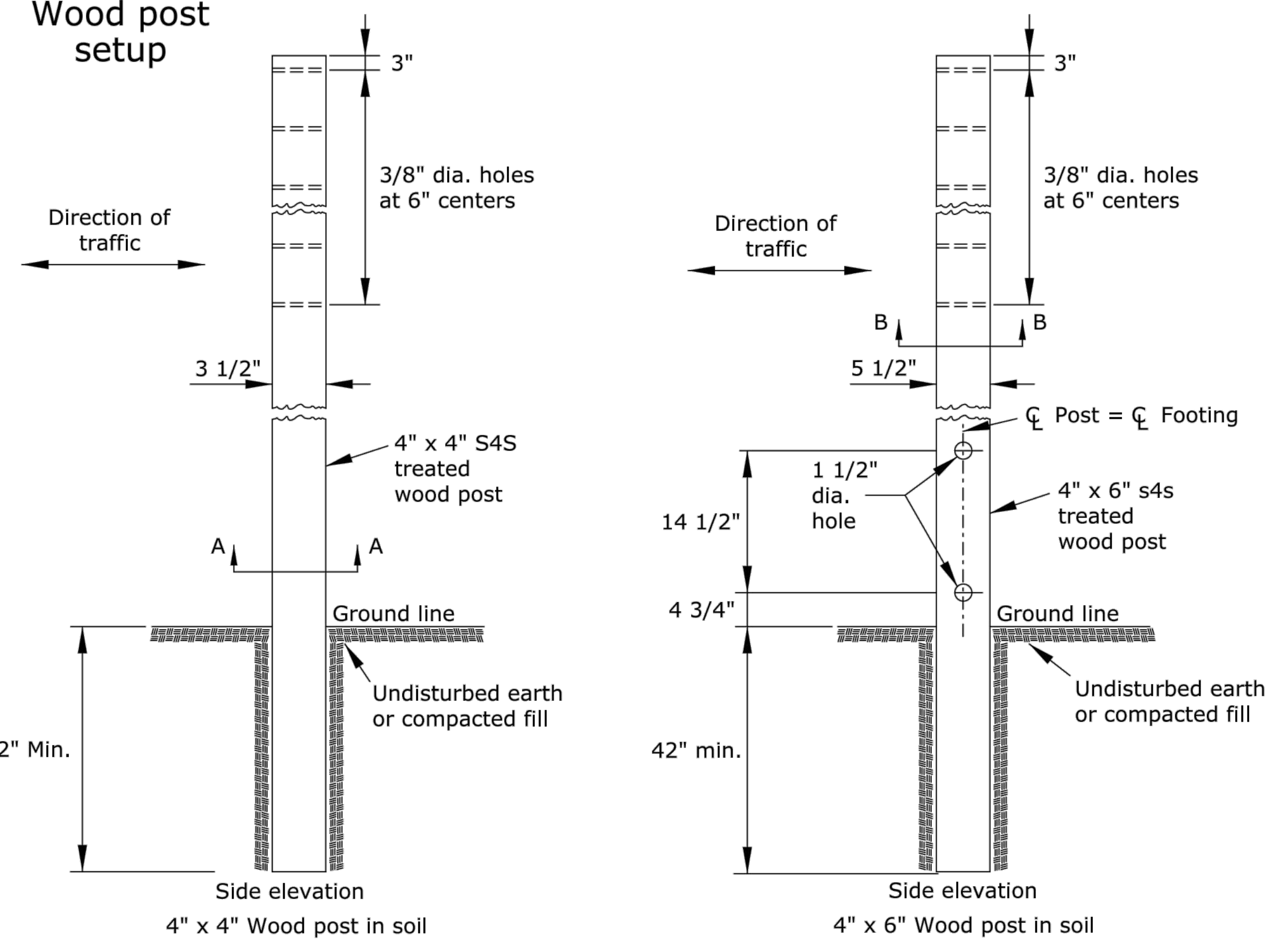
PLOTID: Friday, December 26, 2019 @ 10:52AM

Perforated square steel tube (P.S.S.T.) post setup

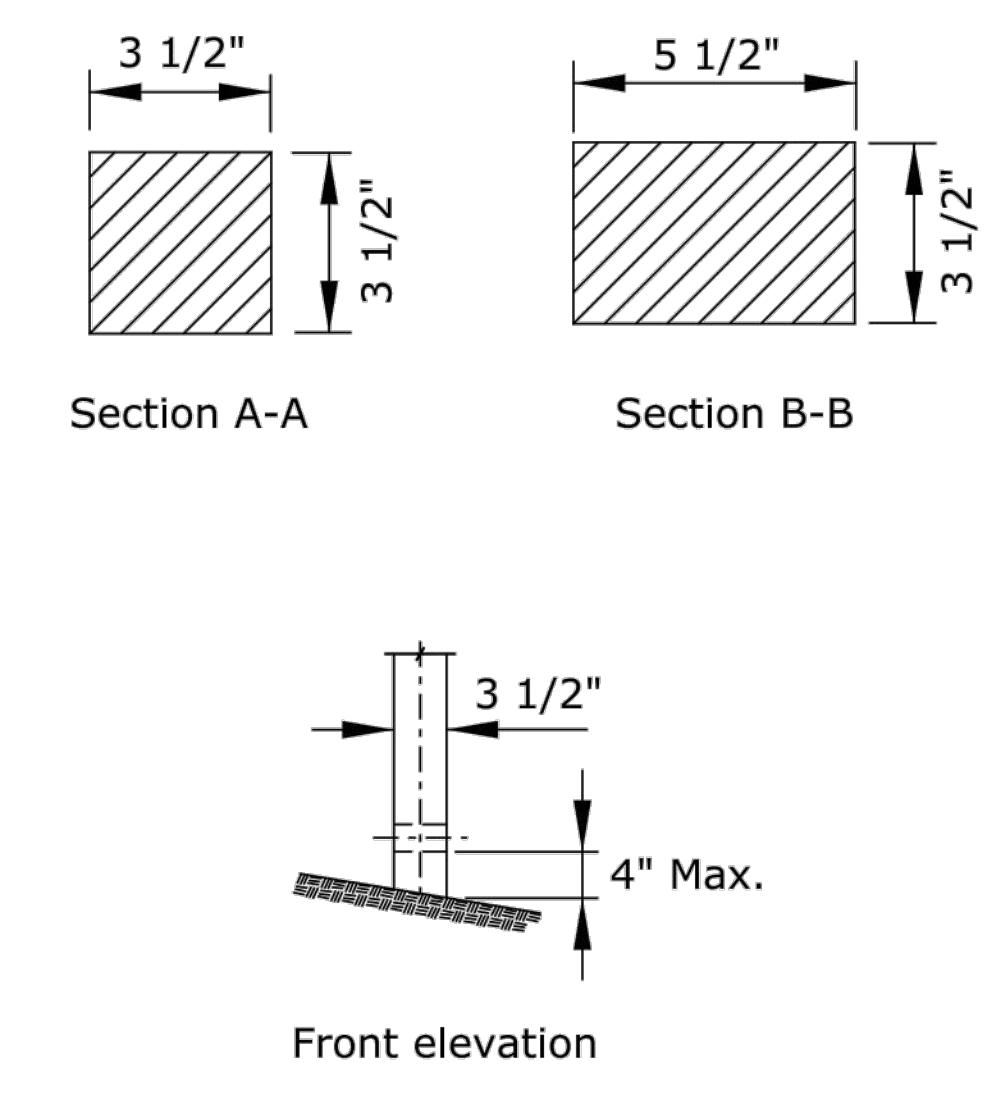


Details for 2", 2 1/4", or 2 1/2" sign posts
 Place bolts in the same corner along each sign post.

Wood post setup

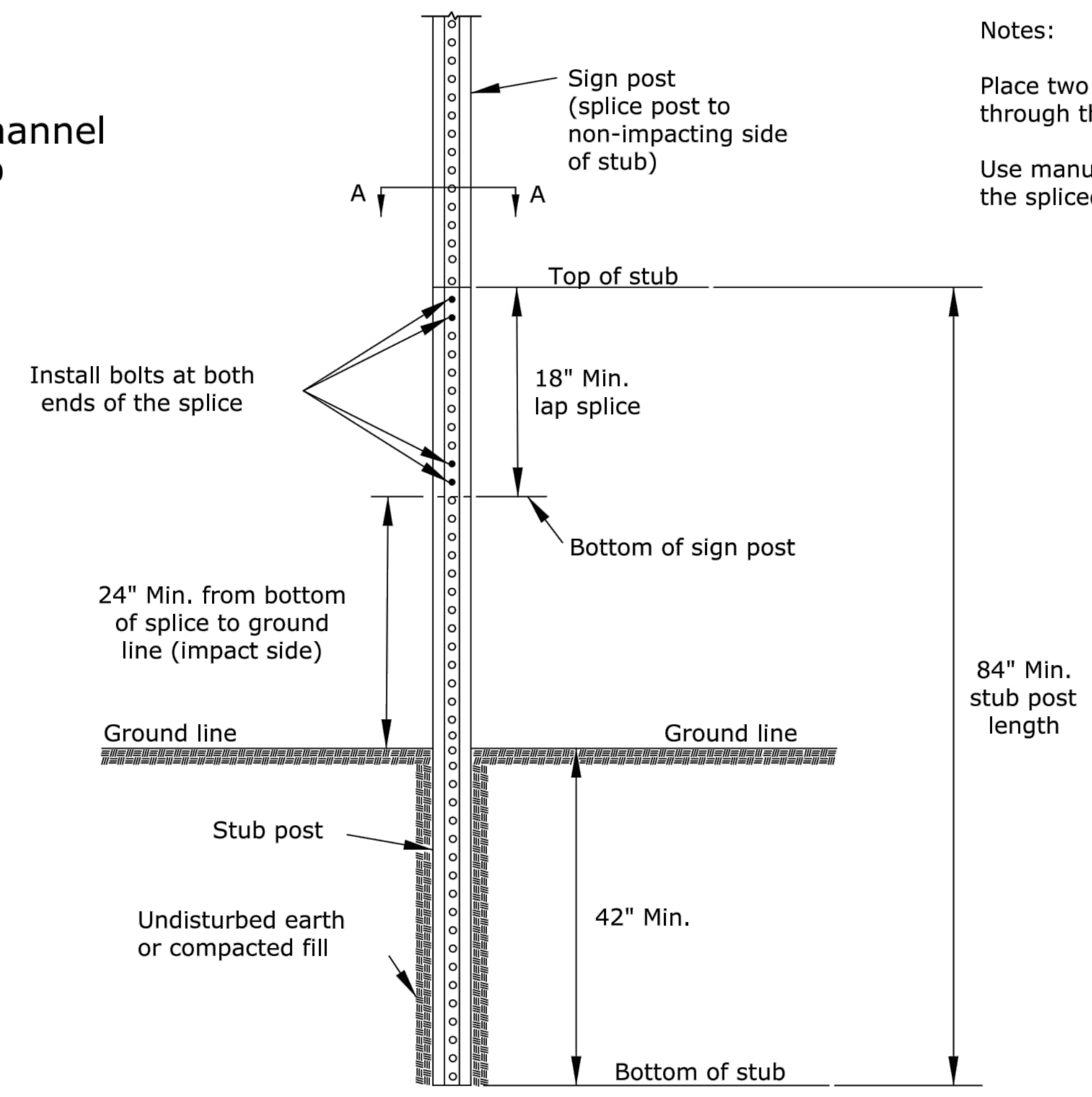


STATE	PROJECT NO.	YEAR	SHEET NO.	TOTAL SHEETS
KANSAS	472-85451	2019	33	37

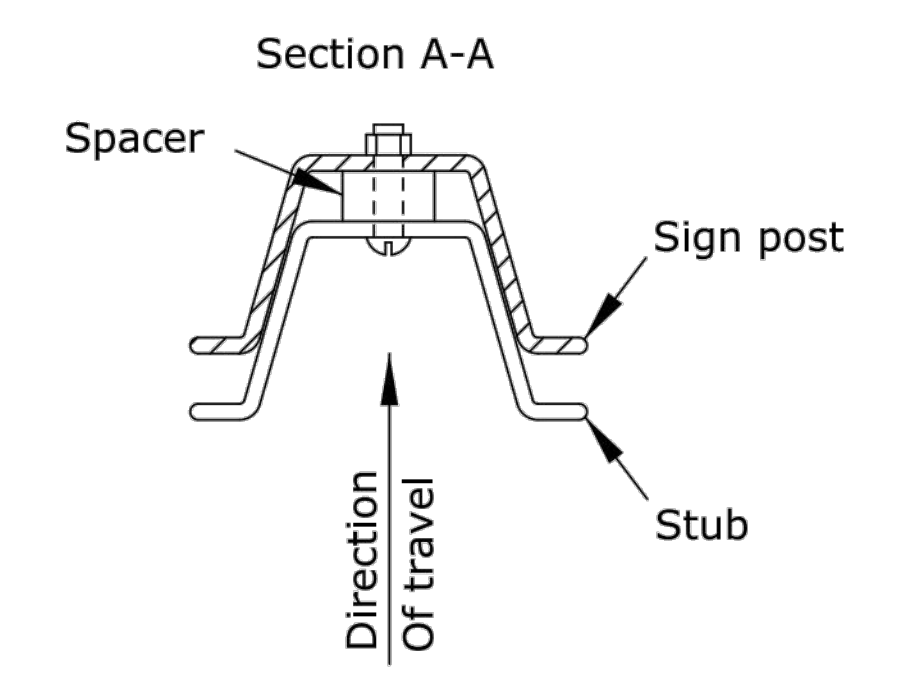


See TE710 for additional details and requirements

3 lb/f U-Channel setup



Notes:
 Place two bolts at both ends of the splice through the holes nearest the ends of the splice.
 Use manufacturer recommended spacers over the bolts between the spliced pieces of U-Channel.



NO.	DATE	REVISIONS	BY	APP'D
3				
2				
1				

KANSAS DEPARTMENT OF TRANSPORTATION

TRAFFIC CONTROL SIGN POSTS

TE712

DESIGNED	B.A.H	DATE	06/01/15	APP'D	Kristina Pyle
DESIGN CK.		DETAIL CK.		R.W.B. QUANTITIES	TRACED
				QUAN. CK.	TRACE CK.

J:\PROJECTS\2017\17101043_LUNGE_STEEPLE_BAY_17143_CAD\SHITS\05_CIVIL\SENECA_STREET_IMPROVEMENT\17143_SENECA_TCD04.DWG