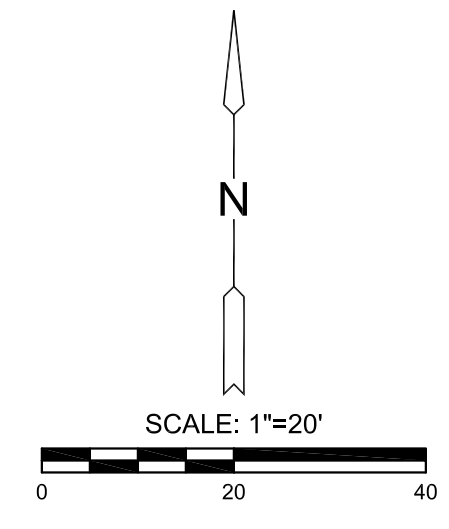
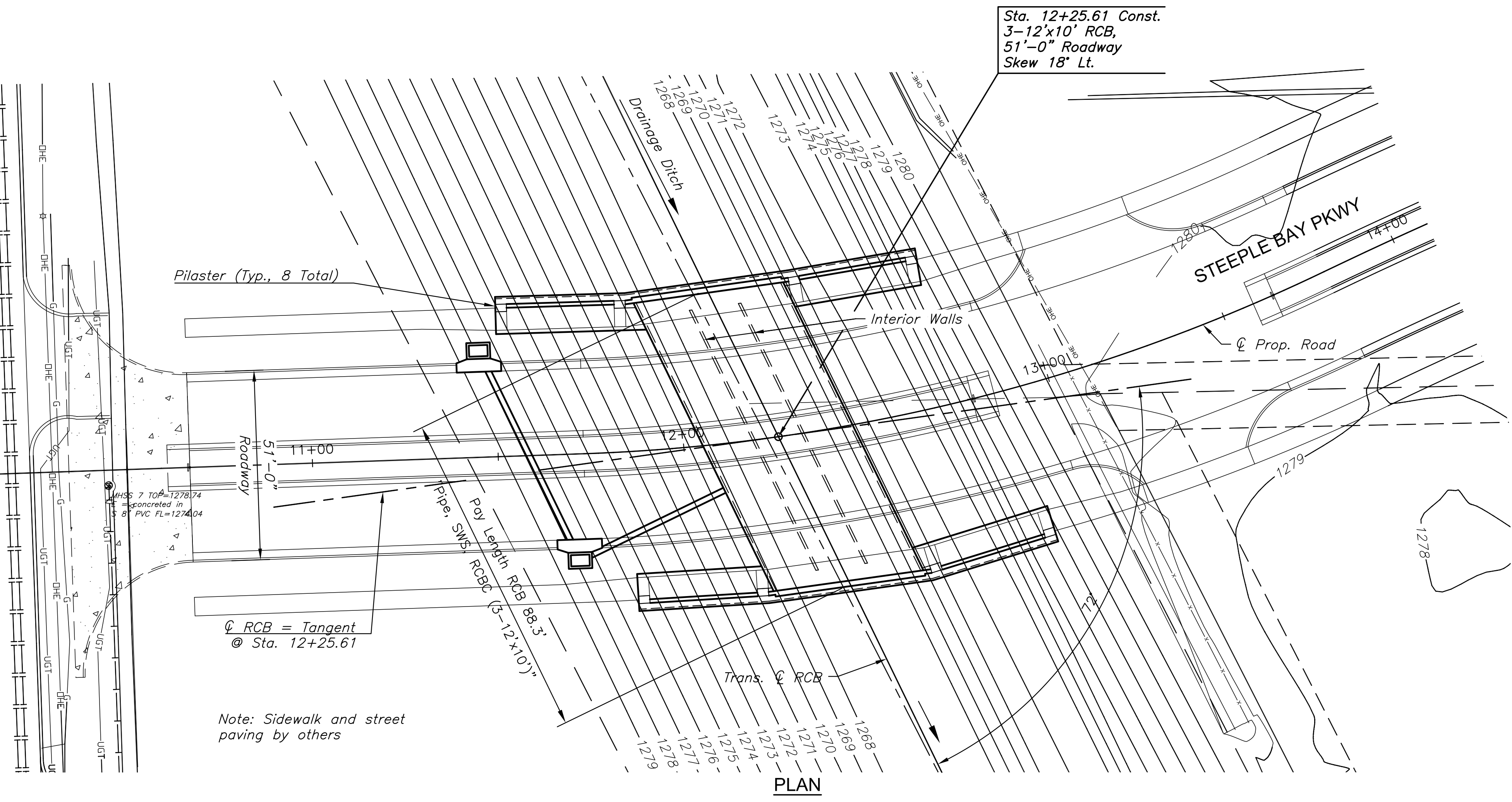


PROJECT: 20171010143\_LANES\_STEEPLE BAY\_17433\_CADD\_SWS CIVIL BRIDGE 17433\_BROU.DWG  
PLOT: Wednesday, January 09, 2019 @ 11:05AM



**DRAINAGE DATA**

Drainage Area	2.7 Sq. Mi.
Design Frequency	100 Years
Design Discharge	2590 cfs
Design High Water Elevation	1337.26
Overtopping Elevation	1337.96
Overtopping Frequency	>100 Years
Discharge at Q <sub>10</sub>	1550 cfs
Backwater Elevation at Q <sub>10</sub>	1335.58
Historic High Water Elevation	Unknown
Estimated Ordinary High Water Discharge	350.0 cfs
Estimated Ordinary High Water Elevation	1330.7
Total Waterway Provided	360 Sq. Ft.
Design Waterway Provided	344 Sq. Ft.

**DESIGN SPECIFICATIONS:**

AASHTO LRFD Specifications, Sixth Ed., with Interims.

**LOADING:** HL93

**UNIT STRESSES:** Grade 4.0 Concrete:  $f'_c = 4,000$  p.s.i.  
Reinforcing Steel:  $f_y = 60,000$  p.s.i.

**GENERAL NOTES:**

**BACKFILL:**

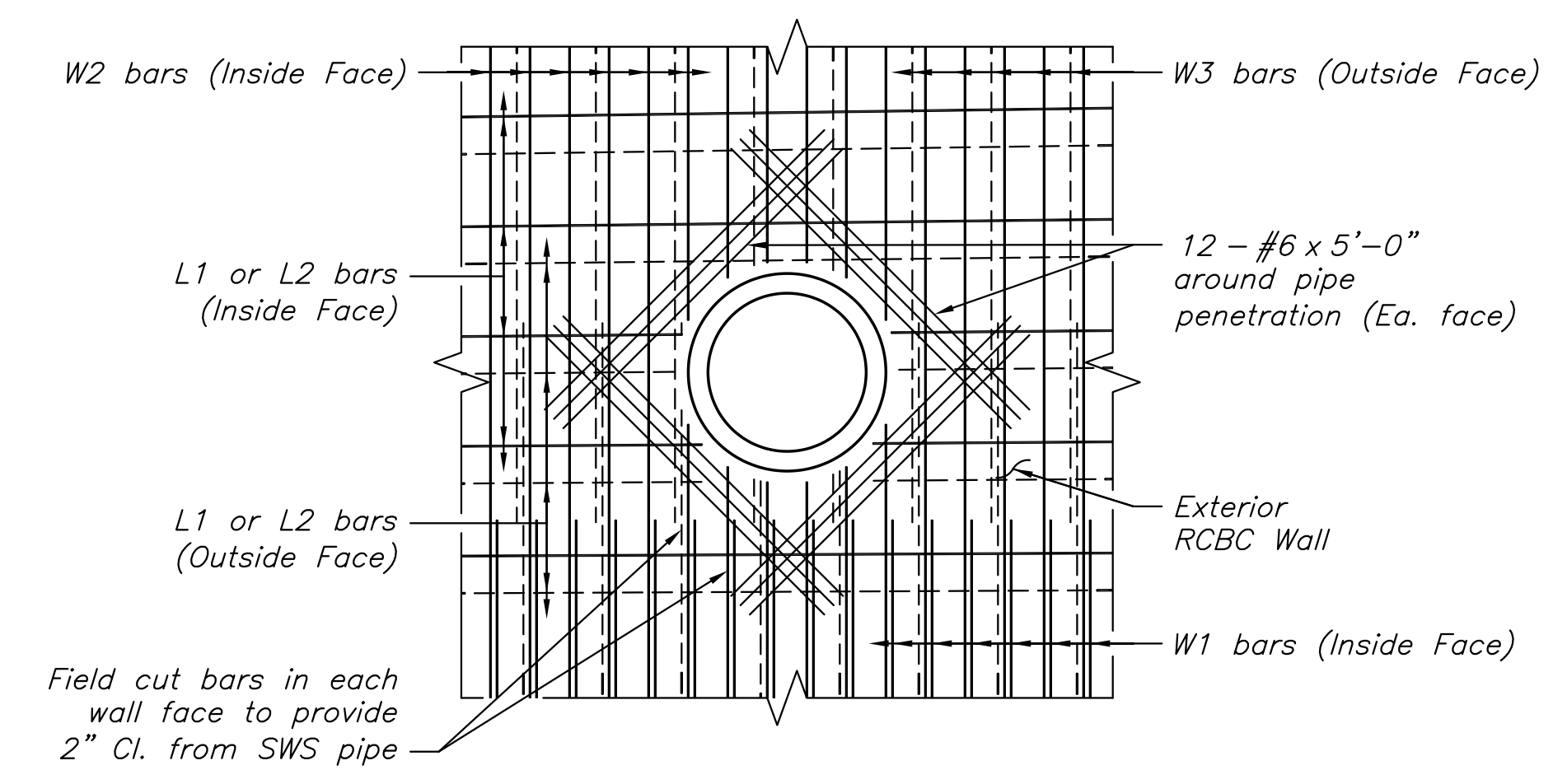
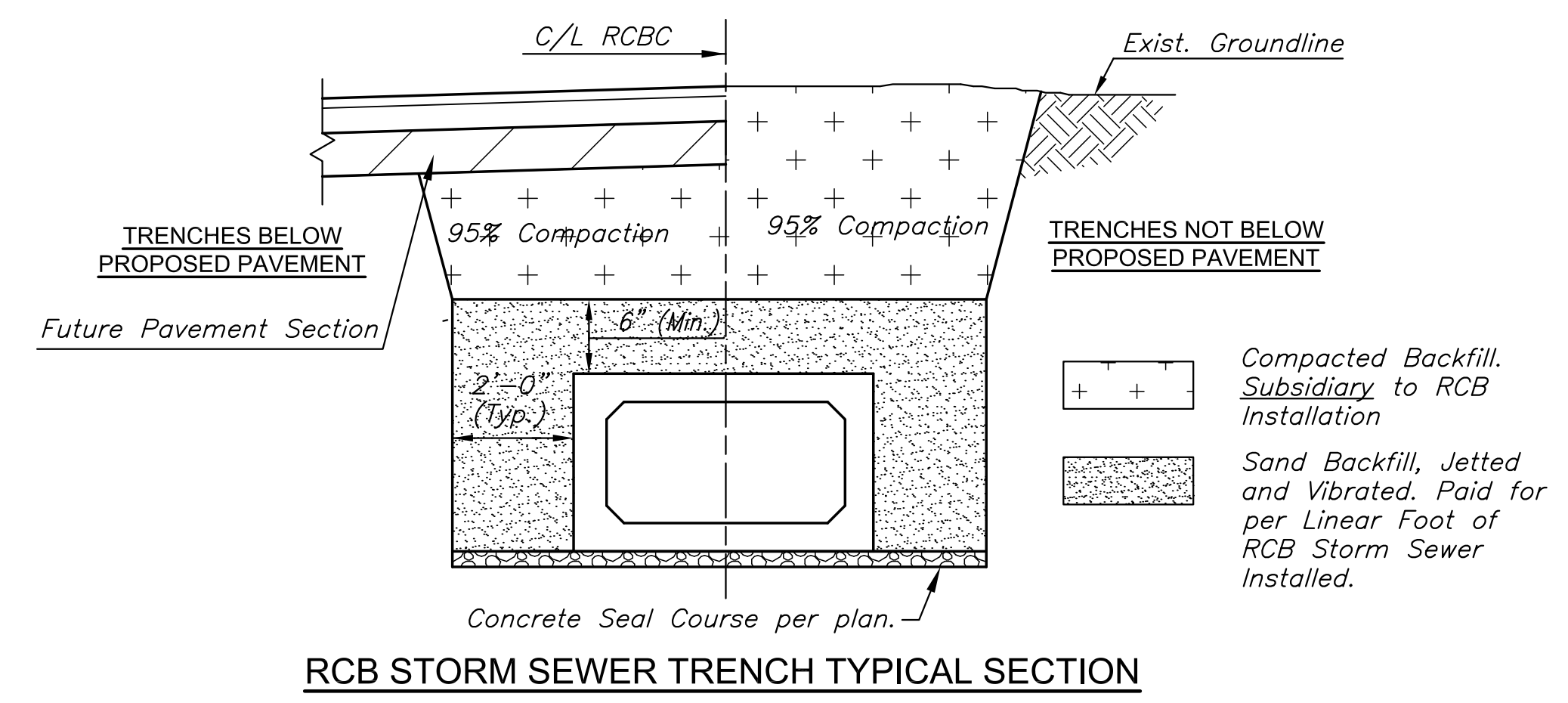
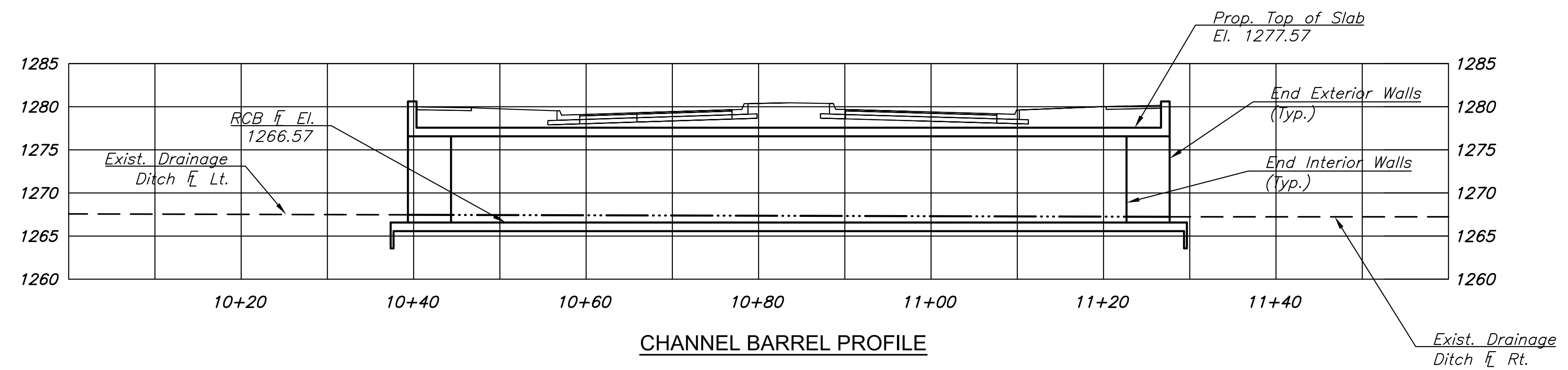
Backfill at outside barrel walls shall be placed in lifts not exceeding 0'-6" and the difference in elevation of the two backfilling operations shall not exceed 1'-0". See detail this sheet for backfill requirements.

**PAYMENT:**

The RCBC bid item "Pipe, SWS, RCBC (3-12'x10'") will be full compensation for the construction of the RCBC. This compensation will be for all items necessary for the complete construction. This will include all necessary materials, labor and equipment for the construction of the RCBC.

**PIPE PENETRATION:**

The penetration shall be located by the contractor both horizontally and vertically for the storm sewer to function properly. The reinforcing shall be added as shown in the detail. This requirement is included in the compensation for construction of the RCBC.



**PIPE PENETRATION DETAIL (TYP.)**

Subsidiary to Storm Sewer Installations  
(Not drawn to scale)

©2019 MKEC Engineering All Rights Reserved www.mkec.com  
These drawings and their contents, including, but not limited to, all concepts, designs, & ideas are the exclusive property of MKEC Engineering (MKEC), and may not be used or reproduced in any way without the express consent of MKEC.

**3 - 12' X 10' RCB PLAN AND PROFILE**

PROJECT NO.	468-85316	
DATE	1/09/19	
SCALE	1"=20'	
DESIGNED	DRAWN	CHECKED
KJS	RAM	KJS

NO.	REVISION	DATE
-----	----------	------