

©2019 MKEC Engineering All Rights Reserved www.mkec.com
These drawings and their contents, including, but not limited to, all concepts, designs, & ideas are the exclusive property of MKEC Engineering (MKEC), and may not be used or reproduced in any way without the express consent of MKEC.

3 - 12' X 10' RCB WING DETAILS

PROJECT NO. 468-85316

DATE 1/09/19

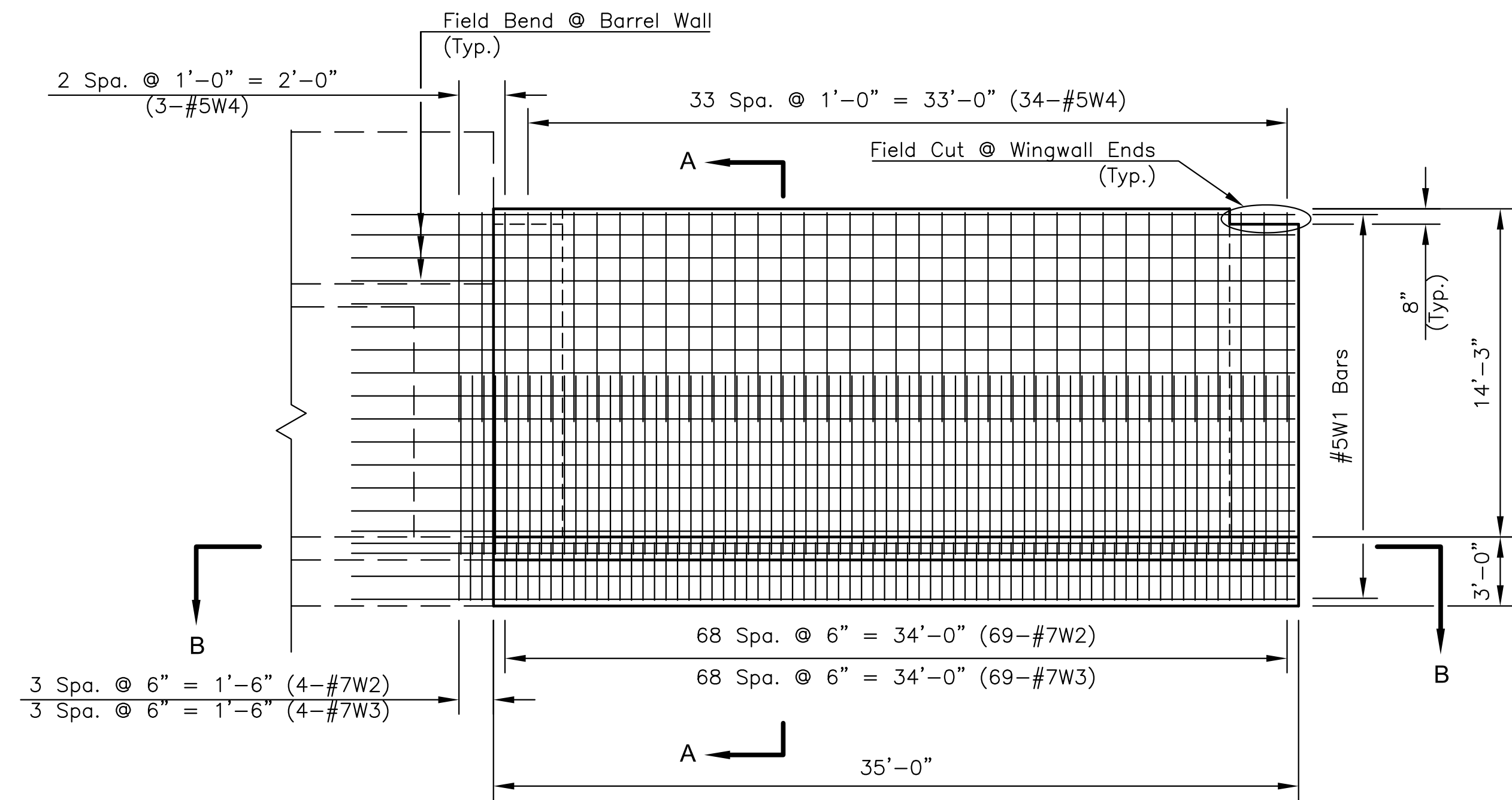
SCALE NTS

DESIGNED DRAWN CHECKED
KJS RAM KJS

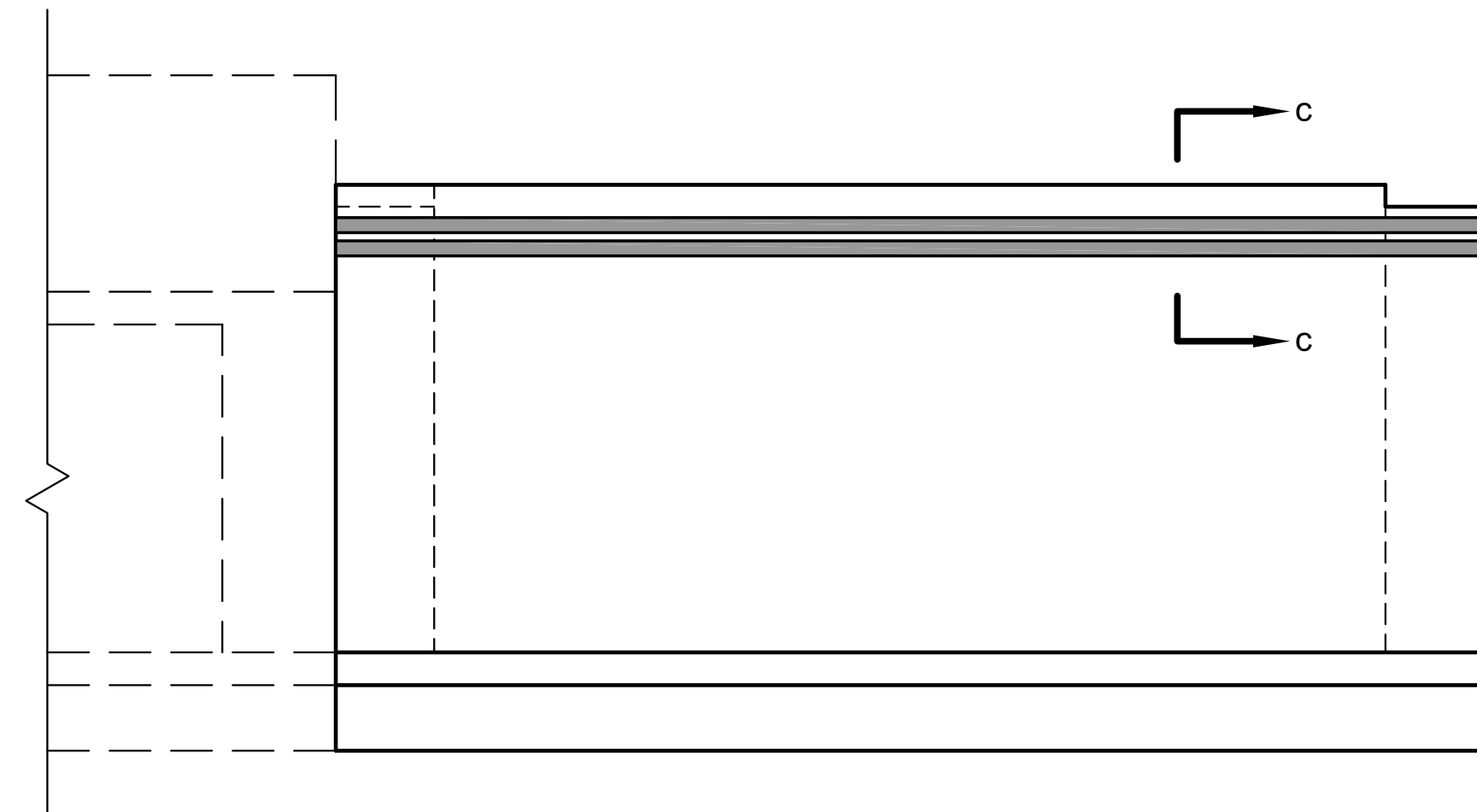
NO. REVISION DATE

SHEET NO.

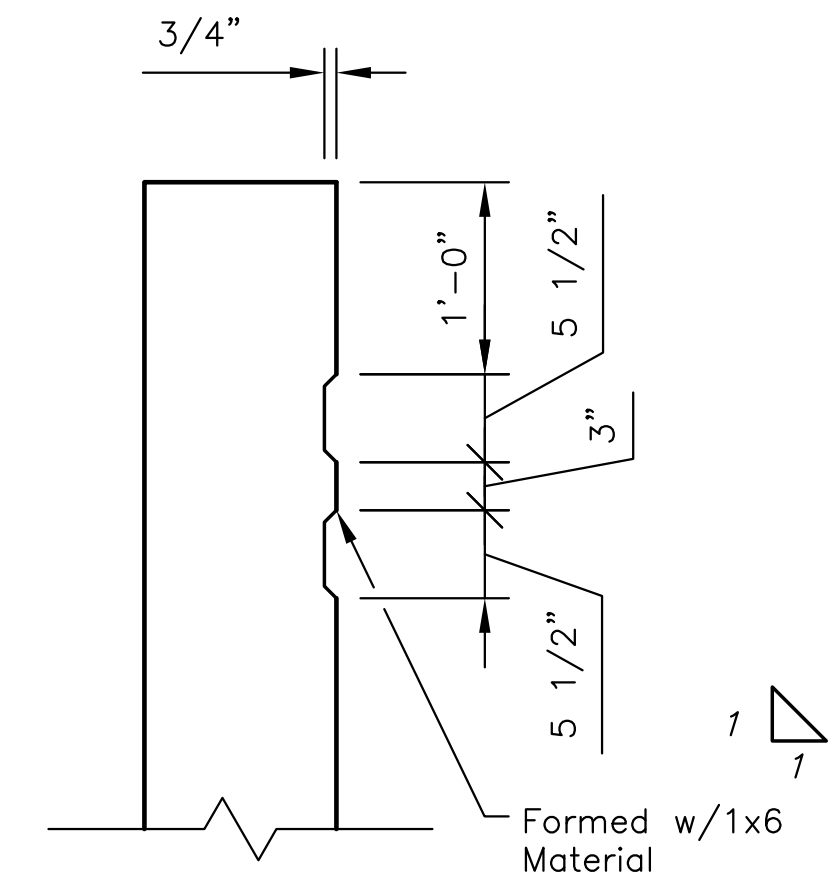
J:\PROJECTS\2017\10101043_LANGLAKE_STEEPLE_BAY_1743_CADD\SHOTS\05_CIVIL\BRIDGE\1743_BRIDGE.DWG
 PLOTTED: Wednesday, January 09, 2019 @ 10:35AM



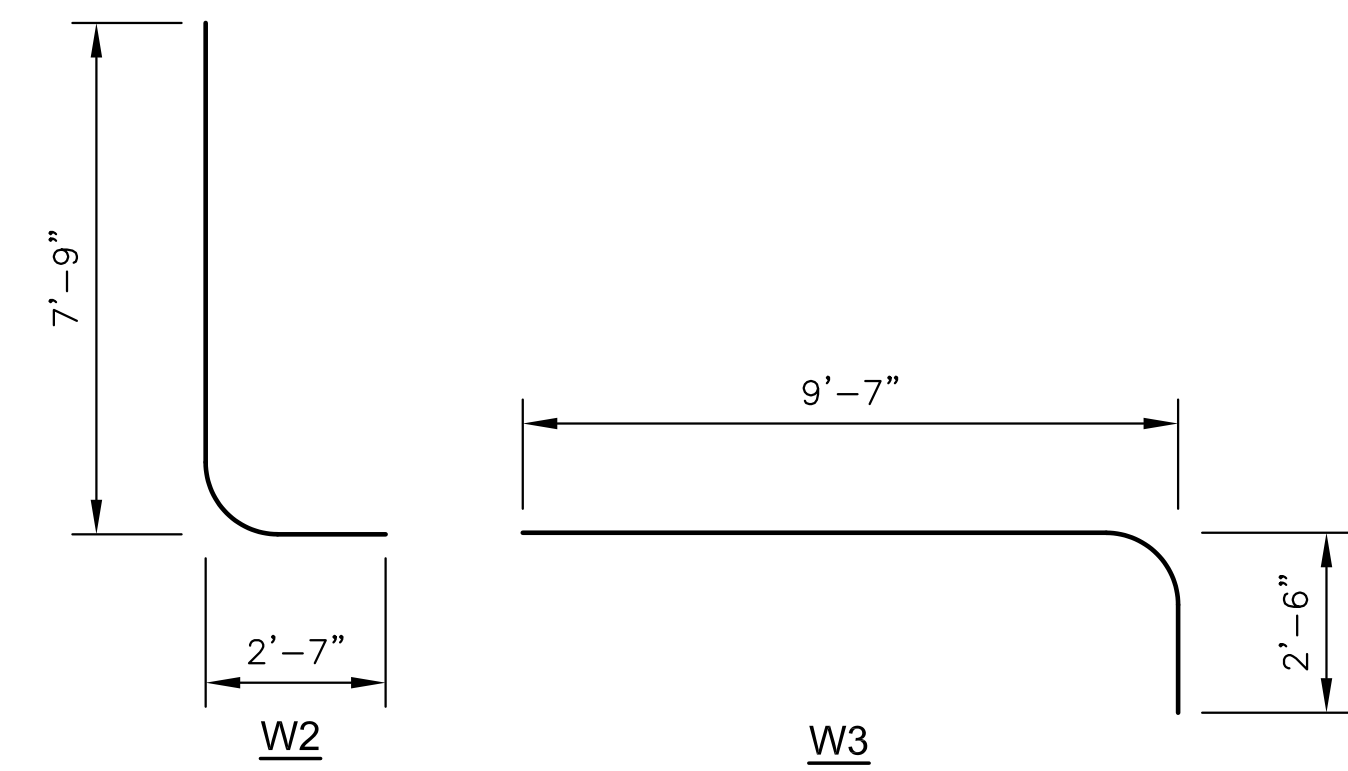
WINGWALL ELEVATION



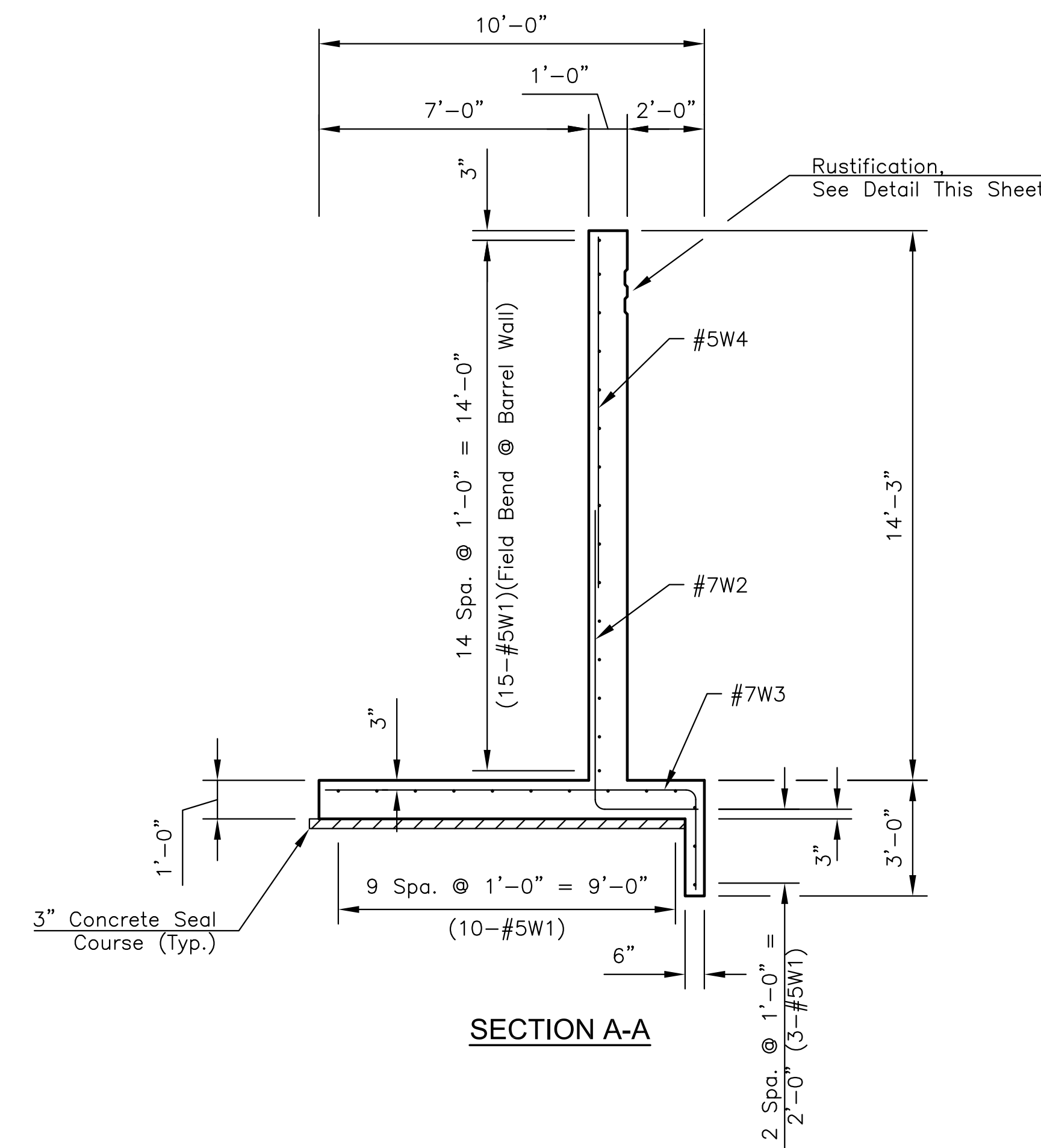
WINGWALL ELEVATION
(Rustification displayed, Reinforcing not shown for clarity. Typ. all wings)



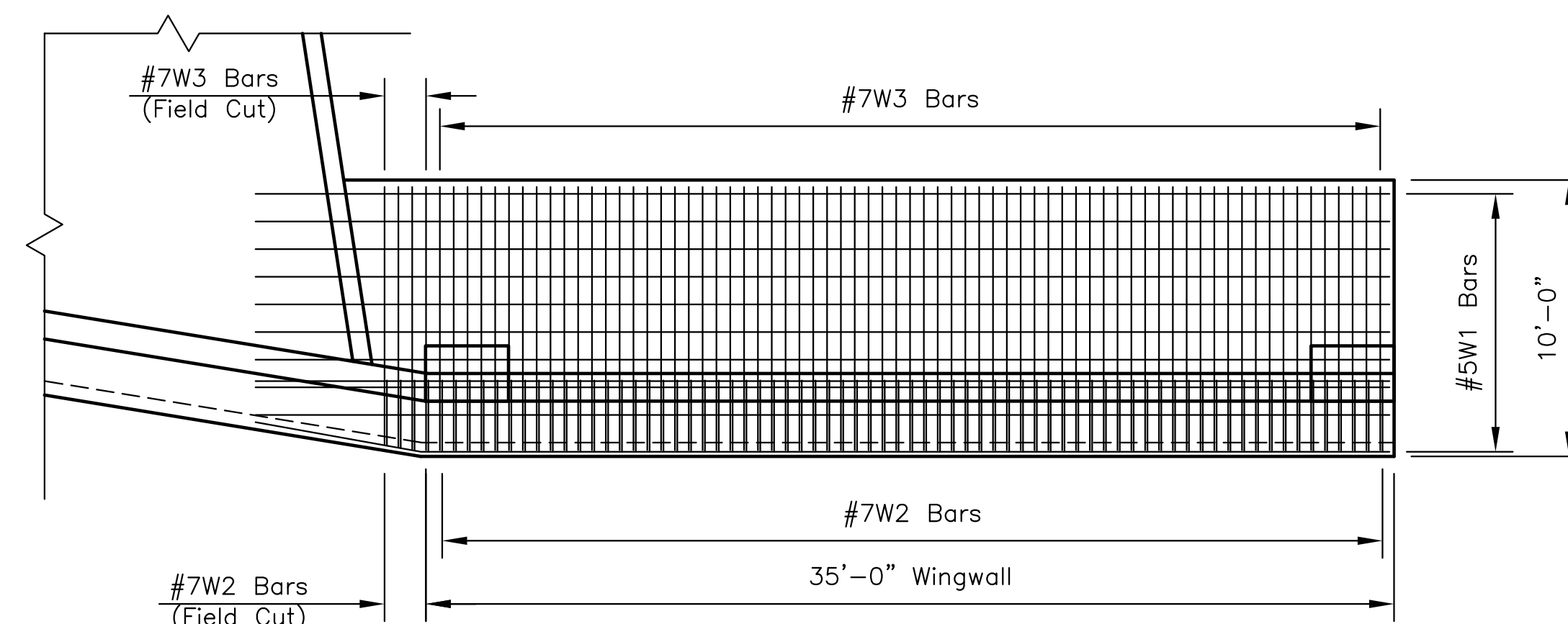
SECTION C-C



BAR BENDING DIAGRAMS



SECTION A-A



SECTION B-B

FOR INFORMATION ONLY

BILL OF REINFORCING STEEL (All Wings)(8 Total Pilasters)							
Straight Bars				Bent Bars			
Mark	Size	No.	Length	Mark	Size	No.	Length
W1	#5	112	41'-0"	W2	#7	292	10'-4"
W4	#5	148	10'-6"	W3	#7	292	12'-1"

FOR INFORMATION ONLY

SUMMARY OF QUANTITIES (All Wings)(8 Total Pilasters)	
Concrete (Grade 4.0)	136.6 C.Y.
Reinforcing Steel (Gr. 60)	19,800 Lbs.
Concrete for Seal Course	13.2 C.Y.