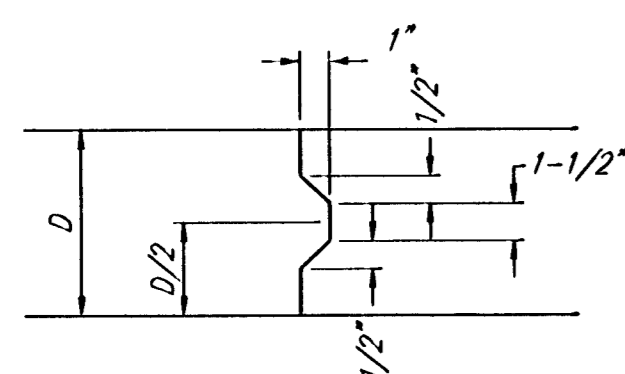
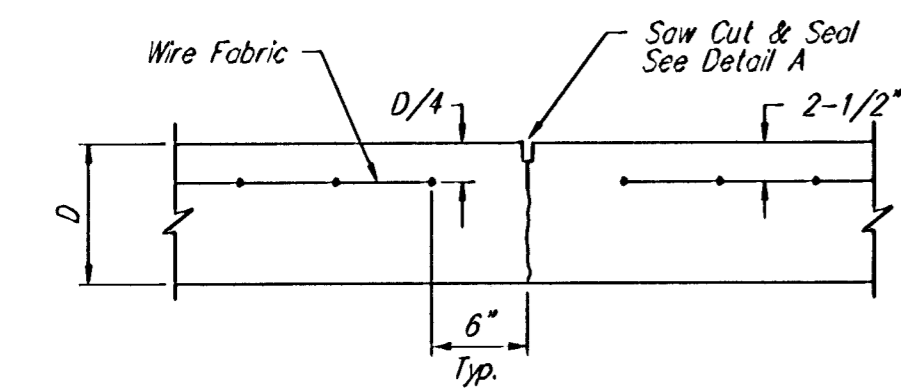


EXPANSION JOINT

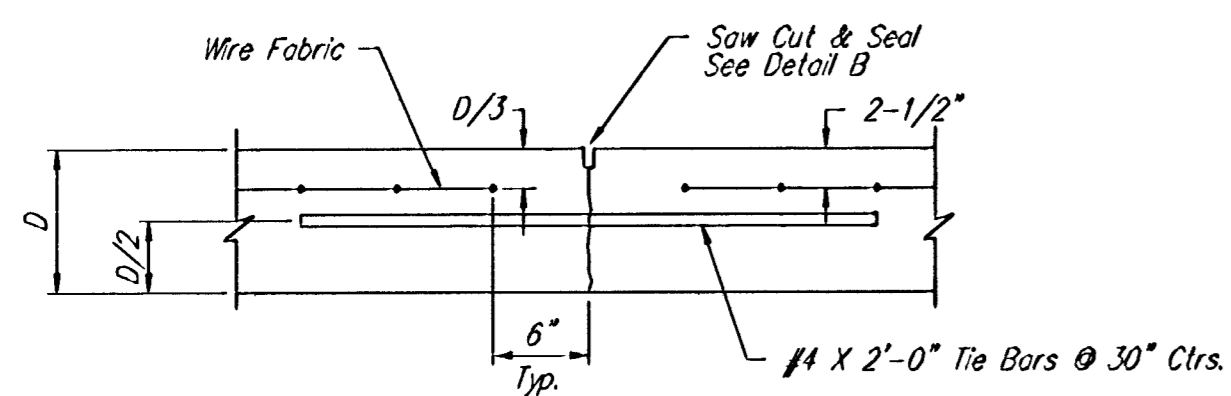
NOTE: Extra Thickness to be Subsidiary to Price of Square Yards Pavement



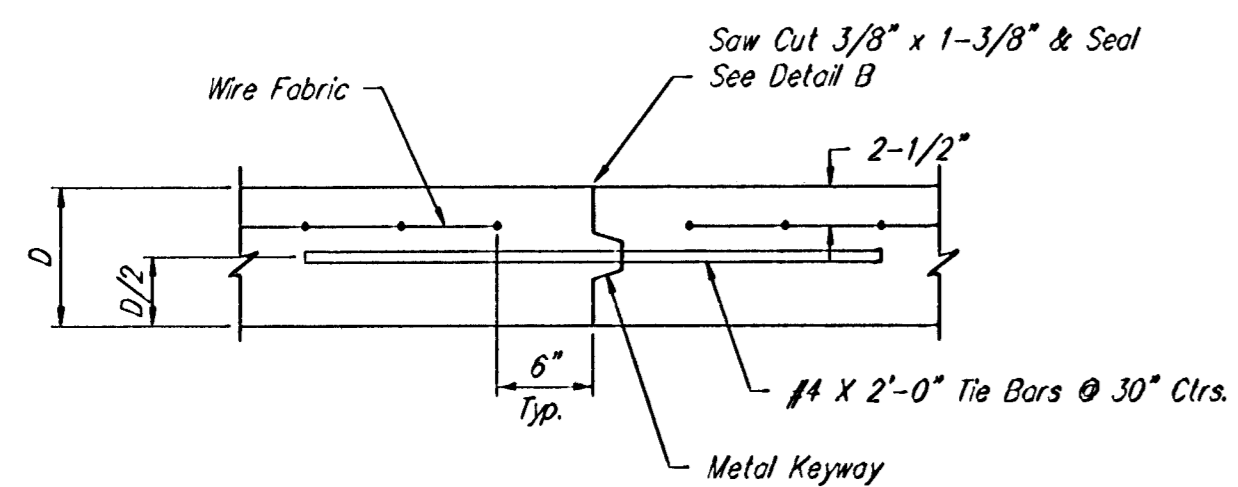
KEYWAY DETAIL



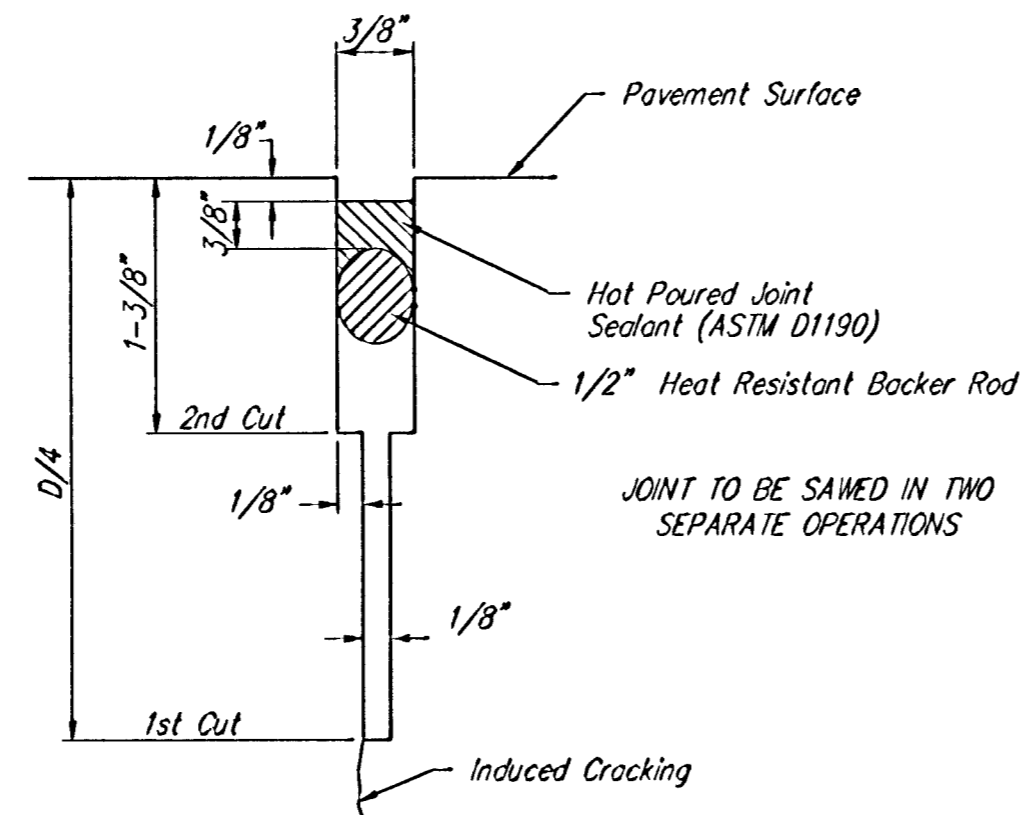
CONTRACTION JOINT DETAIL (C.J.)



LONGITUDINAL JOINT DETAIL (L.J.)

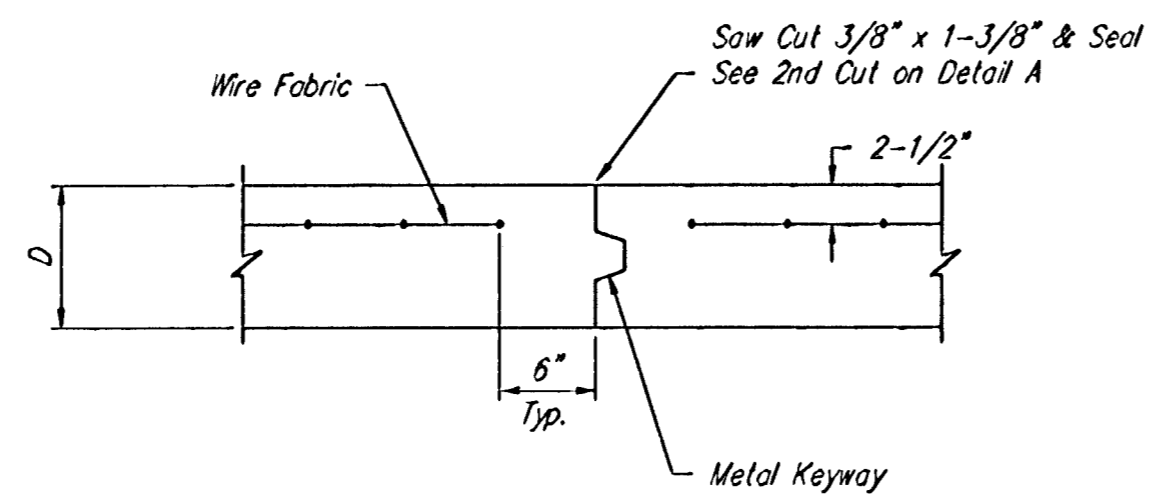


OPTIONAL LONGITUDINAL JOINT DETAIL (L.J.) (CONSTRUCTION JOINT)

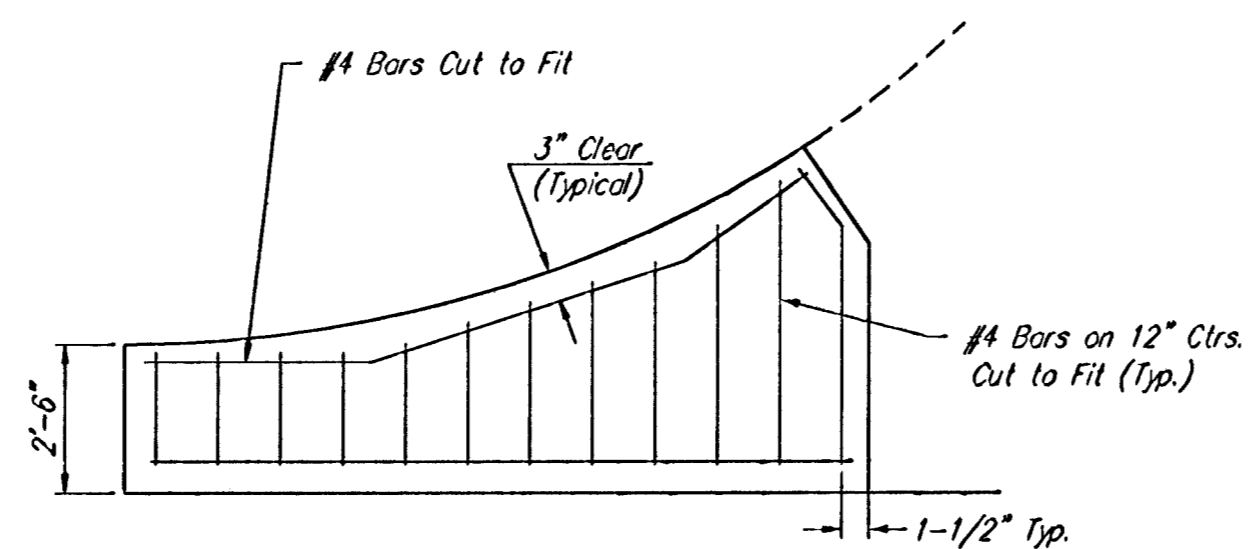


SAW JOINT DETAIL "A"

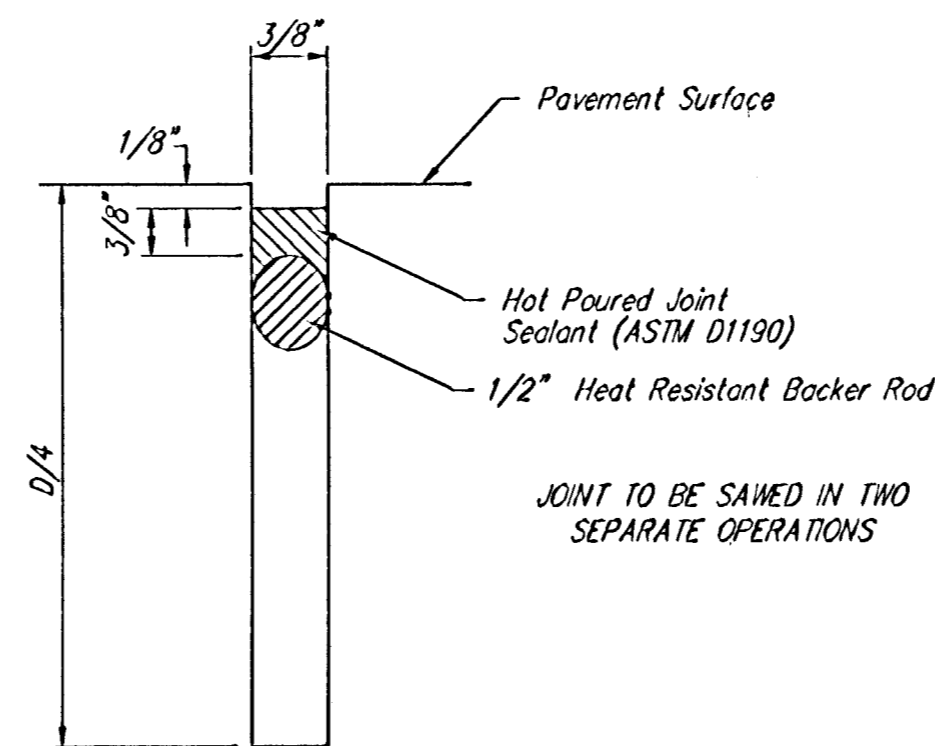
NOTE: 6" X 12" W4XW4 Wire Fabric Reinforcing Shall Be Placed So That The Wires With The 6" Spacing Will Run Parallel With The Longitudinal Joints.



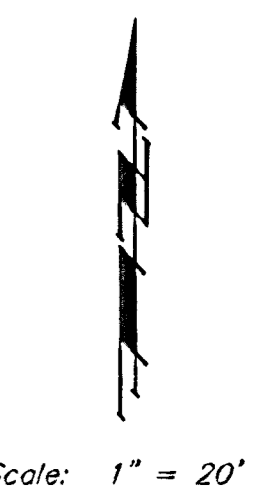
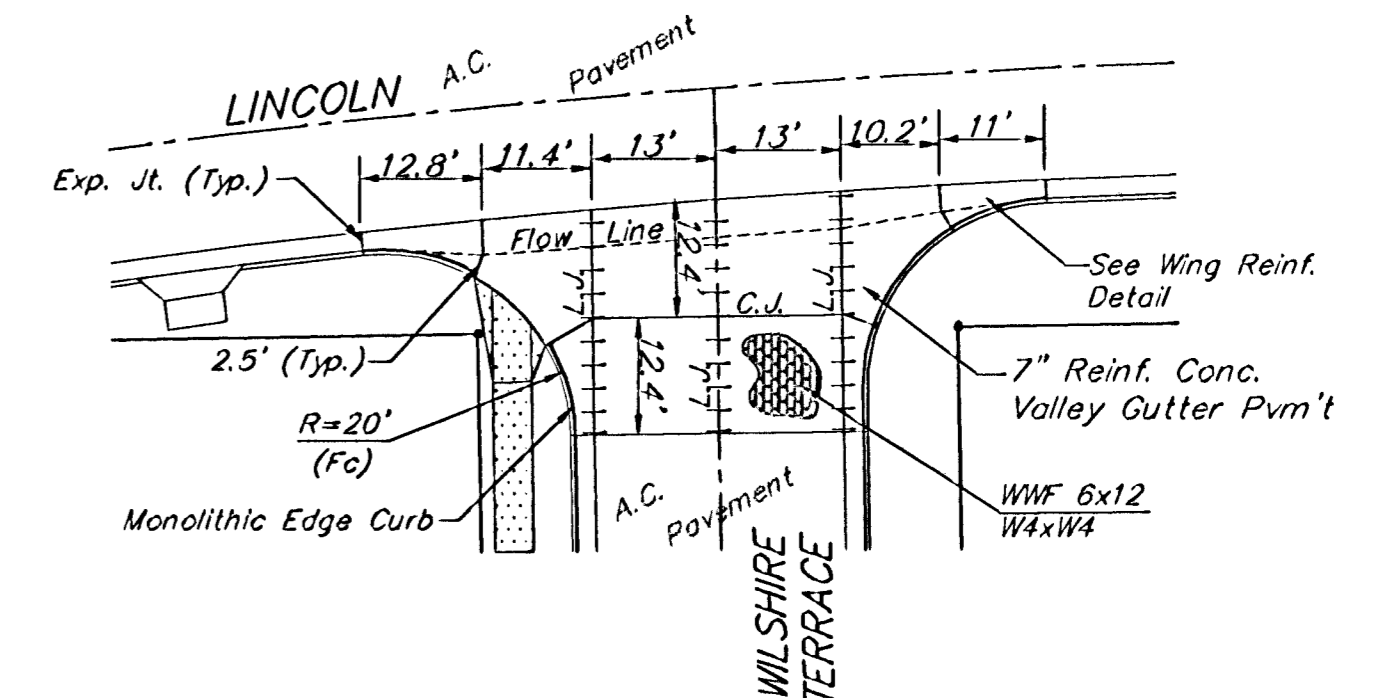
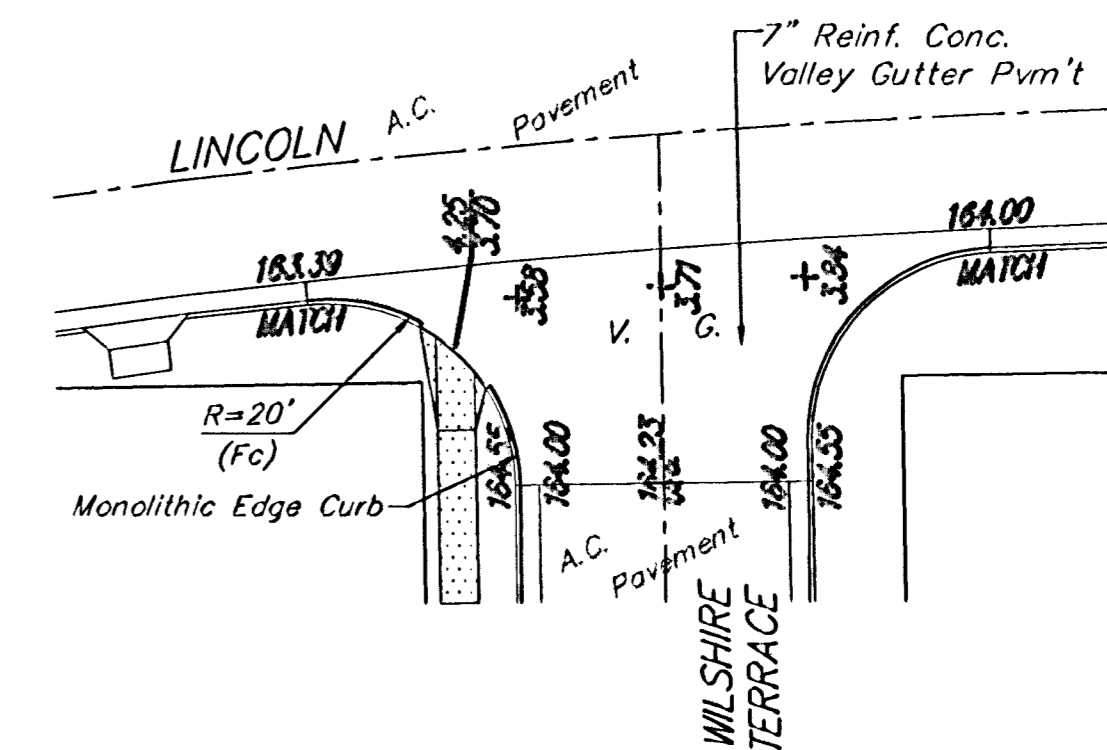
OPTIONAL CONTRACTION JOINT (CONSTRUCTION JOINT)



WING REINFORCING DETAIL



SAW JOINT DETAIL "B"



VALLEY GUTTER DETAILS

BAUGHMAN COMPANY P.A.
ENGINEERING, SURVEYING, & PLANNING
318-282-7271 • 318 ELLIS • WICHITA, KANSAS 67211

PROJECT NUMBER 472-03797					SHEET 4
DESIGN STAFF	DRAWN STAFF	APPROVED	DATE 08-03	SCALE NONE	OF 13

03-05-ES80
1/02/2011