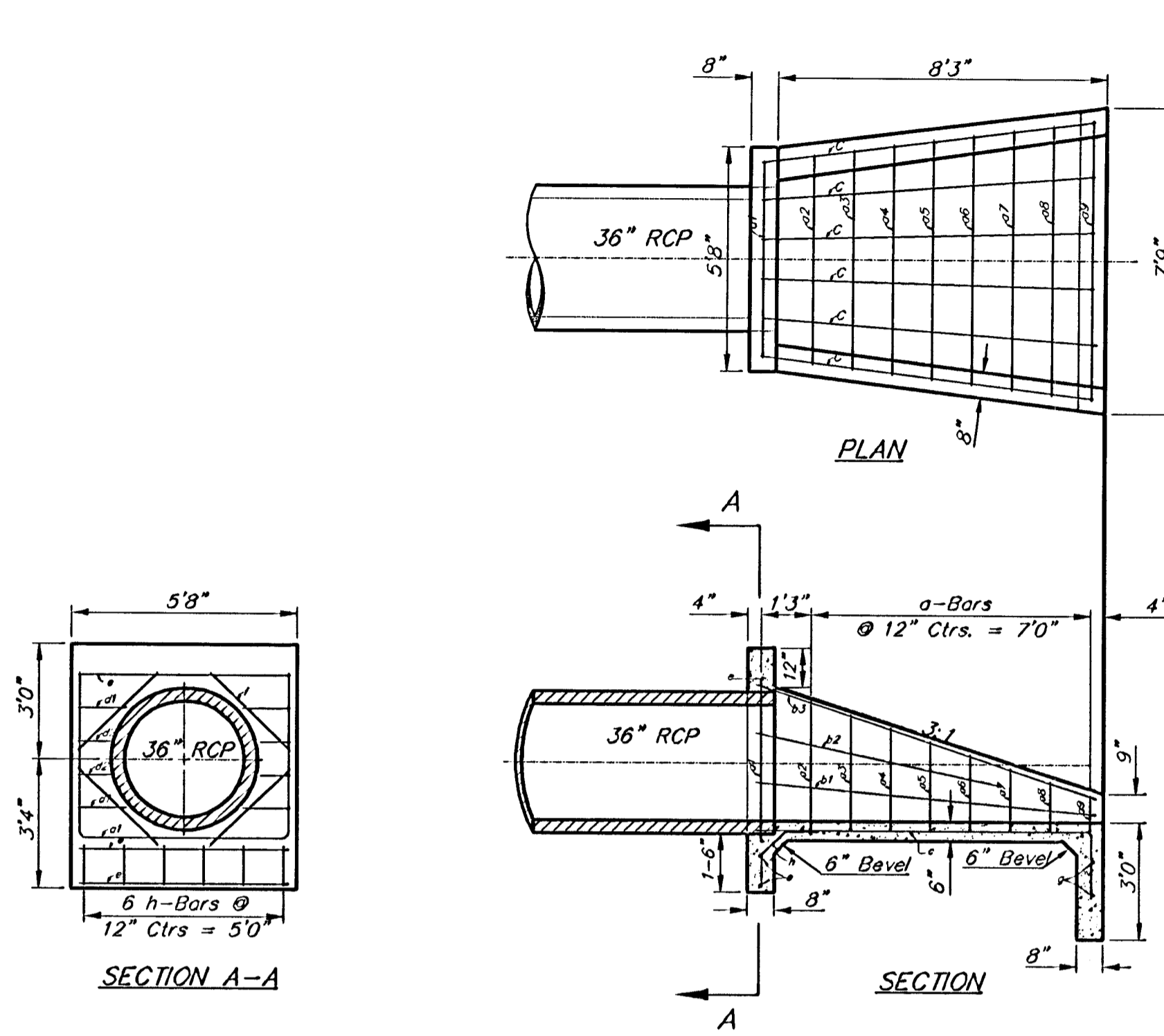


a-Bars	Length
a1	5'7"
a2	5'10"
a3	6'1"
a4	6'4"
a5	6'6"
a6	6'9"
a7	7'0"
a8	7'3"
a9	7'6"
a10	7'9"
a11	8'0"

Bar	Shape	No.	Length	Weight
a1		1	15'7"	10.41
a2		1	13'10"	9.24
a3		1	13'5"	8.96
a4		1	13'0"	8.68
a5		1	12'6"	8.35
a6		1	12'1"	8.07
a7		1	11'8"	7.79
a8		1	11'3"	7.52
a9		1	10'9"	7.18
a10		1	10'5"	6.96
a11		1	10'0"	6.68
b1		2	10'2"	13.58
b2		2	7'3"	9.69
b3		2	10'9"	14.25
c		7	12'0"	56.11
d1		4	1'3"	3.34
d2		4	9"	2.00
e		3	5'10"	11.69
f		4	3'0"	30.06
g		2	8'0"	10.69
h		6	2'6"	6.68
Total Rebar			247.93 Lbs.	
Concrete			10.12 C.Y.	

A Deduction in Concrete Quantities Has Been Made for Pipe Openings Through the Headwall
 * Field Bend or Cut Reinforcing as Required for Clearance.
 All Concrete Reinforcement to be #4 Rebar
 All Rebar to Have Min. of 1 1/2" Conc. Cover

HEADWALL FOR 42" RCP

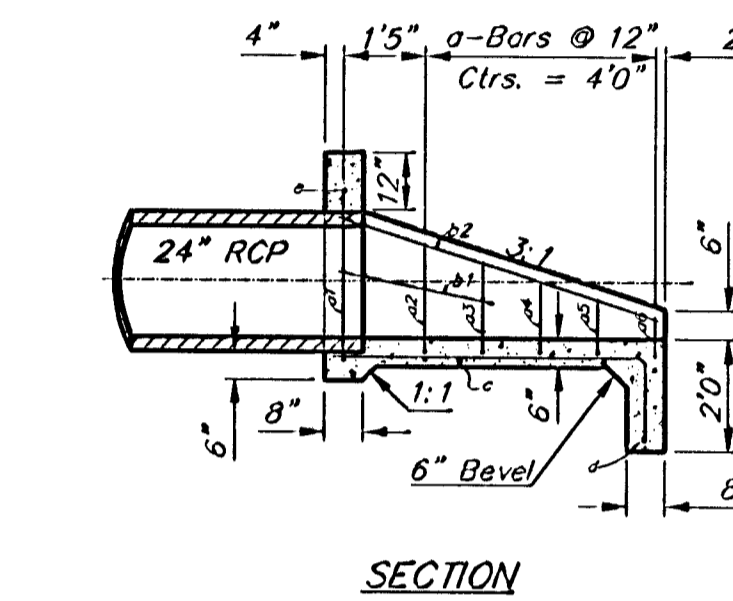
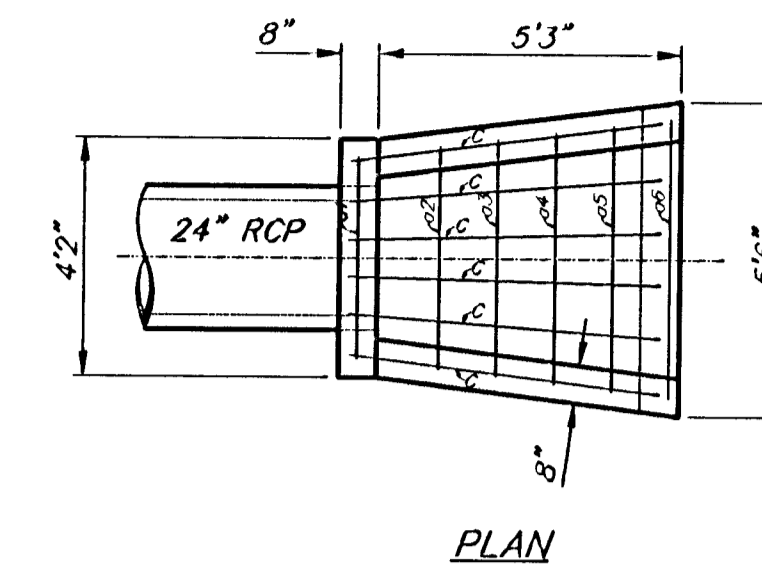


a-Bars	Length
a1	5'2"
a2	5'2"
a3	5'5"
a4	5'8"
a5	5'11"
a6	6'2"
a7	6'5"
a8	6'8"
a9	6'11"

Bar	Shape	No.	Length	Weight
a1		1	14'0"	9.35
a2		1	11'10"	7.90
a3		1	11'3"	7.52
a4		1	10'10"	7.24
a5		1	10'5"	6.96
a6		1	10'0"	6.68
a7		1	9'7"	6.40
a8		1	9'0"	6.01
a9		1	8'7"	5.73
b1		2	8'5"	11.24
b2		2	4'7"	6.12
b3		2	9'0"	12.02
c		6	10'4"	41.42
d1		4	1'6"	4.01
d2		4	10"	2.23
e		3	5'4"	10.69
f		4	3'0"	8.02
g		2	7'0"	9.35
h		6	2'6"	10.02
Total Rebar			178.91 Lbs.	
Concrete			3.20 C.Y.	

A Deduction in Concrete Quantities Has Been Made for Pipe Openings Through the Headwall
 * Field Bend or Cut Reinforcing as Required for Clearance.
 All Concrete Reinforcement to be #4 Rebar
 All Rebar to Have Min. of 1 1/2" Conc. Cover

HEADWALL FOR 36" RCP



a-Bars	Length
a1	3'5"
a2	3'9"
a3	4'0"
a4	4'3"
a5	4'6"
a6	4'9"

Bar	Shape	No.	Length	Weight
a1		1	9'5"	6.29
a2		1	7'2"	5.07
a3		1	7'2"	4.79
a4		1	6'9"	4.51
a5		1	6'4"	4.23
a6		1	6'1"	4.06
b1		2	2'9"	3.67
b2		2	5'10"	7.79
c		6	6'11"	27.72
d		1	5'0"	3.37
e		1	3'10"	2.56
Total Rebar			74.03 Lbs.	
Concrete			1.40 C.Y.	

A Deduction in Concrete Quantities Has Been Made for Pipe Openings Through the Headwall
 * Field Bend or Cut Reinforcing as Required for Clearance.
 All Concrete Reinforcement to be #4 Rebar
 All Rebar to Have Min. of 1 1/2" Conc. Cover

HEADWALL FOR 24" RCP

GENERAL NOTES

- ALL PIPES SHALL BE FLUSH CUT PRIOR TO BEING CAST INTO CONCRETE HEADWALL
- CONCRETE USED IN HEADWALL CONSTRUCTION SHALL BE SAME AS PER CITY STANDARD PAVING MIX EXCEPT THAT IT SHALL HAVE A MINIMUM 28 DAY COMPRESSIVE STRENGTH OF 4000 PSI.
- ALL EXPOSED EDGES SHALL BE BEVELED 1/2"
- REINFORCING STEEL SHALL COMPLY TO A.S.T.M. DESIGNATION A615 GRADE 60. ALL DIMENSIONS RELATIVE TO REINFORCING STEEL ARE TO CENTERLINE OF BAR UNLESS OTHERWISE NOTED.
- THE "REIN. CONC. HEADWALL" SHALL BE PAID FOR AT THE UNIT PRICE BID PER EACH IN PLACE WHICH SHALL INCLUDE ALL LABOR, MATERIALS, EXCAVATION, CONCRETE, REINFORCING STEEL AND ALL OTHER INCIDENTAL ITEMS NECESSARY TO COMPLETE THE WORK. MATERIAL QUANTITIES SHOWN ARE FOR INFORMATION ONLY.

HEADWALL DETAIL

BAUGHMAN COMPANY P.A.
 ENGINEERING, SURVEYING, & PLANNING
 315-202-7271 • 315 ELLIS • WICHITA, KANSAS 67211

DESIGN	DRAWN	APPROVED	DATE	SCALE	SHEET
BLP/DMV	JAK			NONE	17
					OF 27