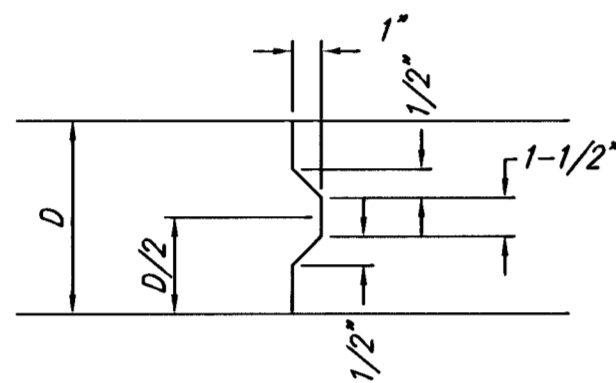
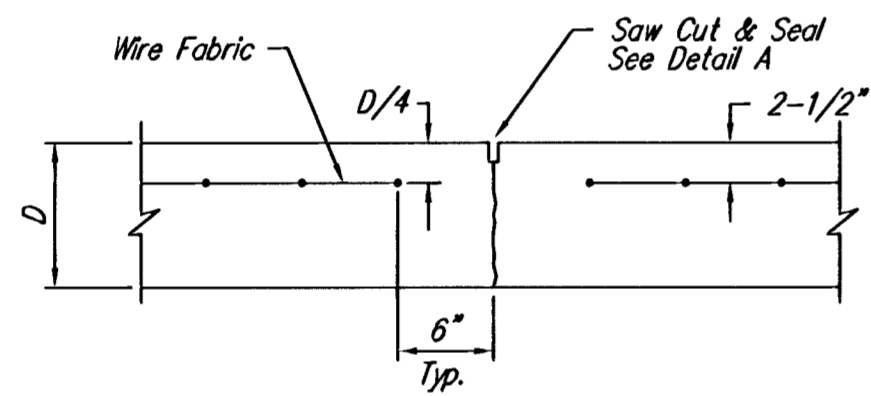


EXPANSION JOINT

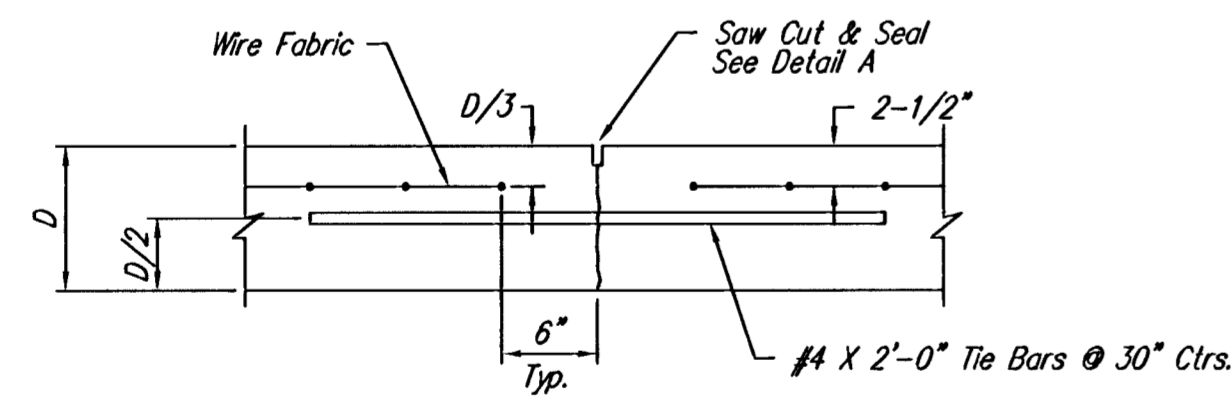
NOTE: Extra Thickness to be Subsidiary to Price of Square Yards Pavement



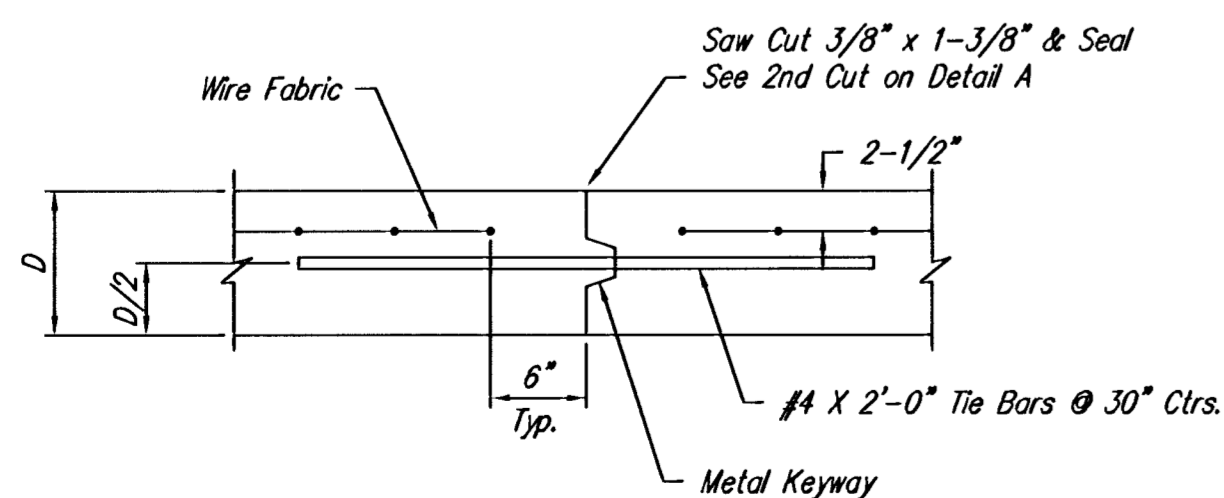
KEYWAY DETAIL



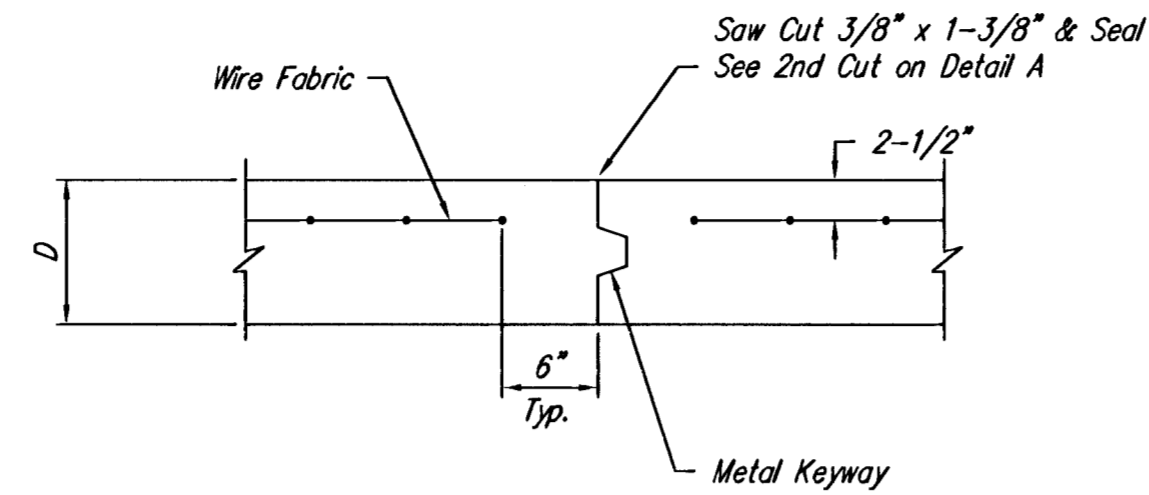
CONTRACTION JOINT DETAIL (C.J.)



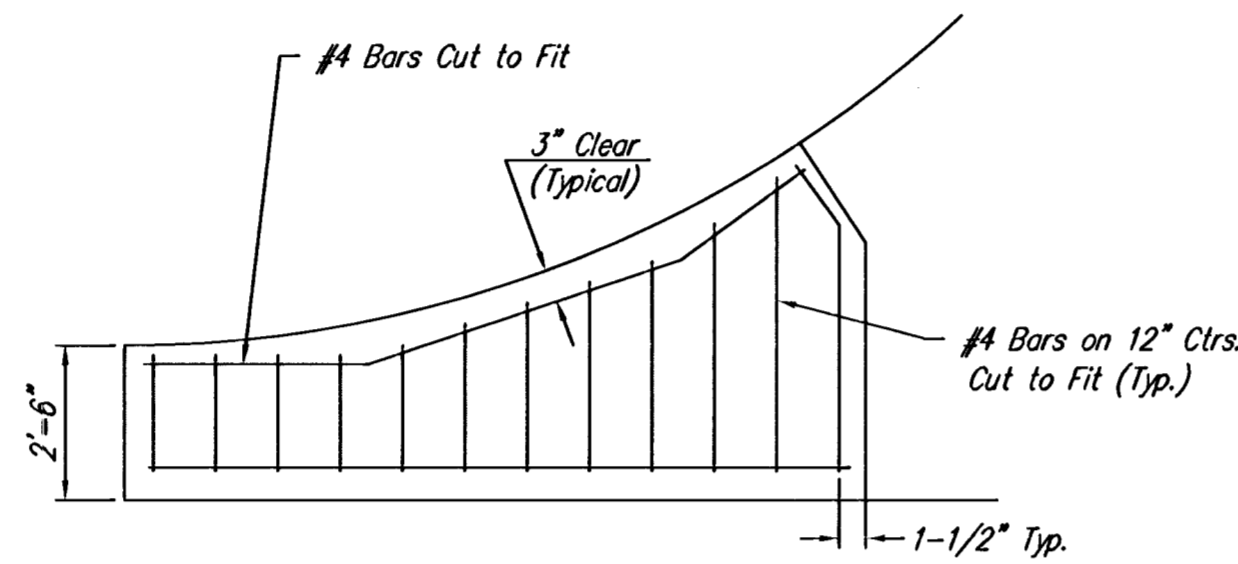
LONGITUDINAL JOINT DETAIL (L.J.)



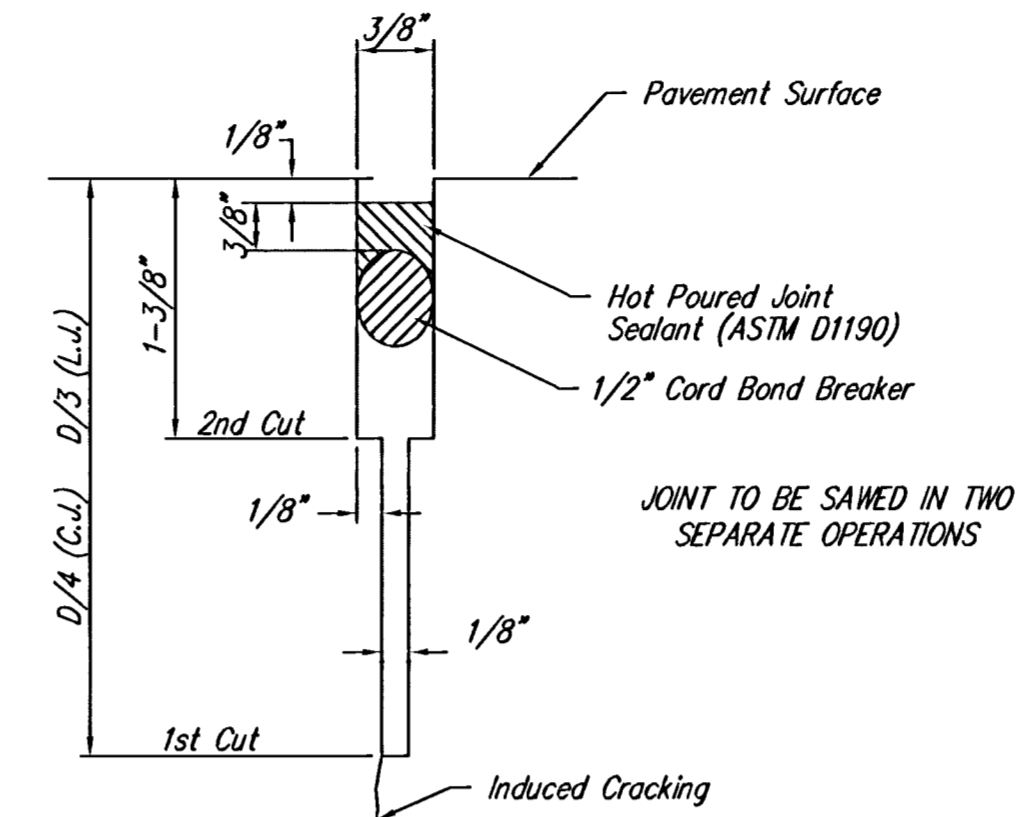
OPTIONAL LONGITUDINAL JOINT DETAIL (L.J.)



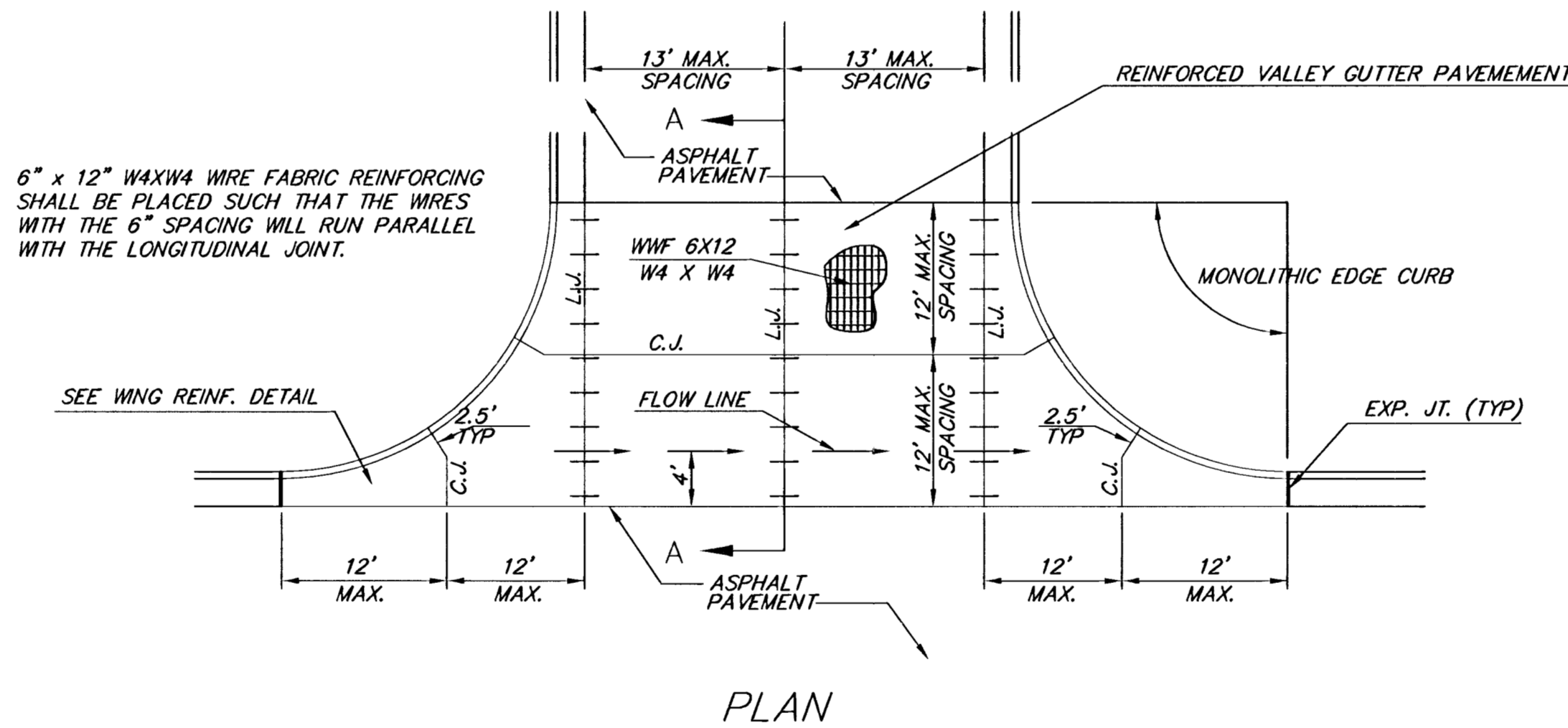
OPTIONAL CONTRACTION JOINT



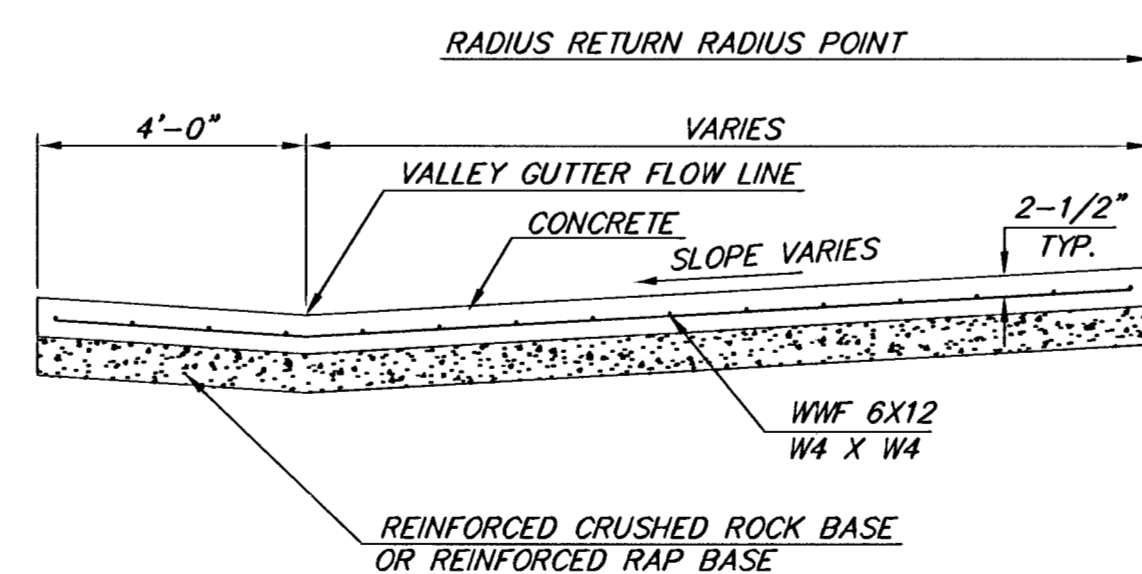
WING REINFORCING DETAIL



SAW JOINT DETAIL

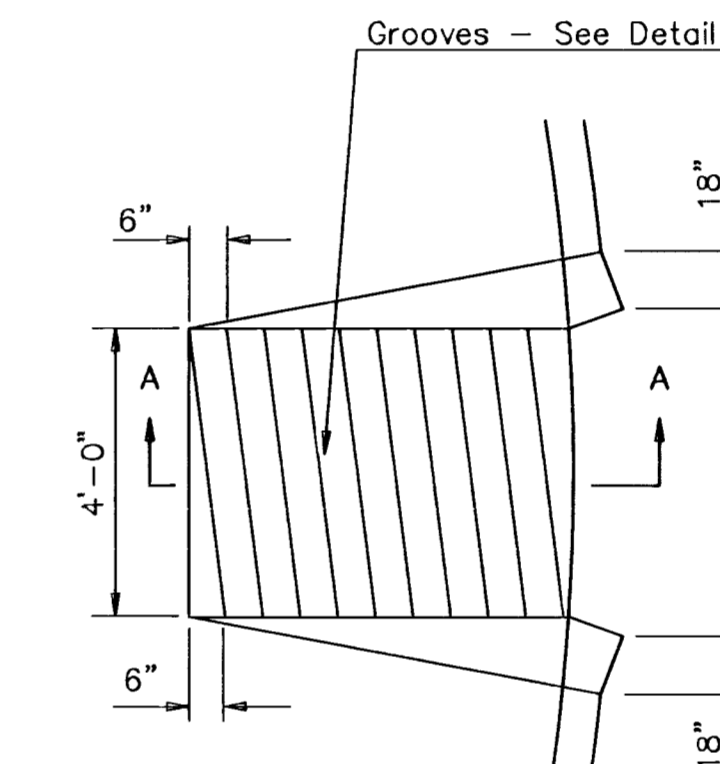


PLAN

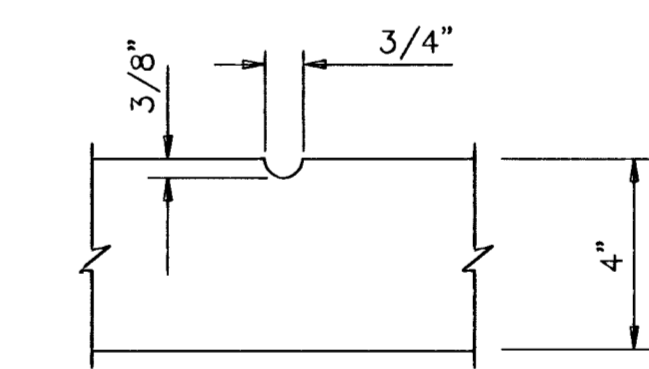


SECTION A-A

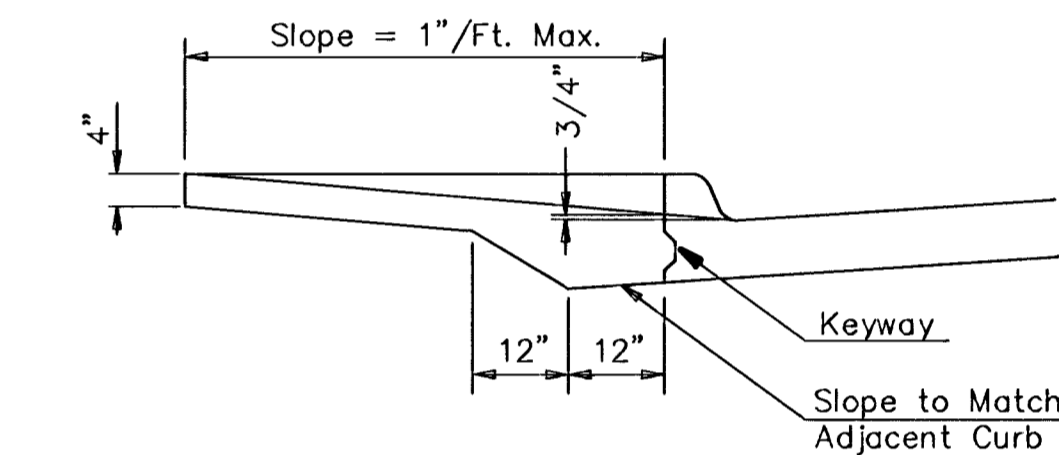
REINFORCED VALLEY GUTTER DETAIL



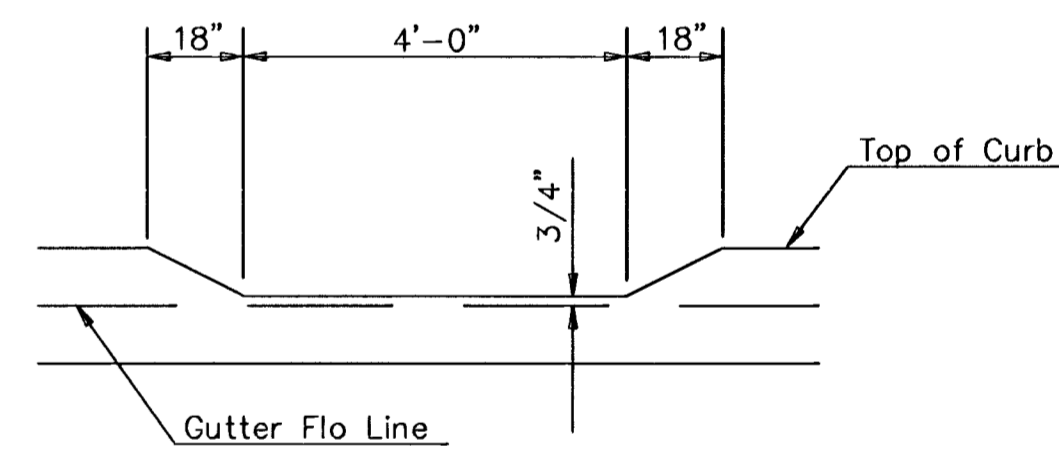
WHEELCHAIR RAMP PLAN VIEW



GROOVE DETAIL



SECTION A-A



DEPRESSED CURB DETAIL

WHEELCHAIR RAMP DETAIL

<p>THE CITY OF WICHITA</p> <p>CITY ENGINEER'S OFFICE 455 NORTH MAIN STREET WICHITA, KANSAS 67202 (316) 268-4501 (316) 268-4114 FAX</p>	VALLEY GUTTER DETAILS	
	WHEELCHAIR RAMP DETAILS	
	M. E. LINDEBAK P.E. - CITY ENGINEER	
	PROJECT NUMBER 472-83668	OCA # 765765
	DATE MAR 96	SHEET 3 OF 31