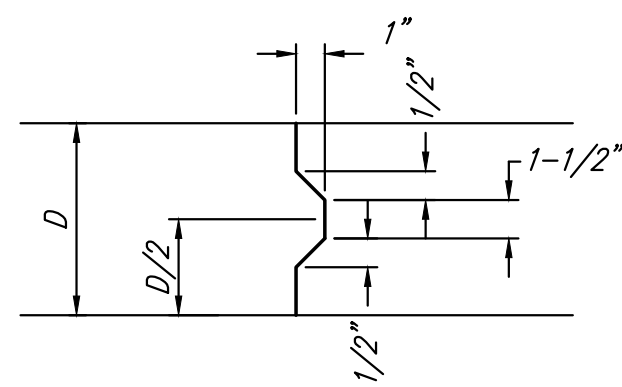
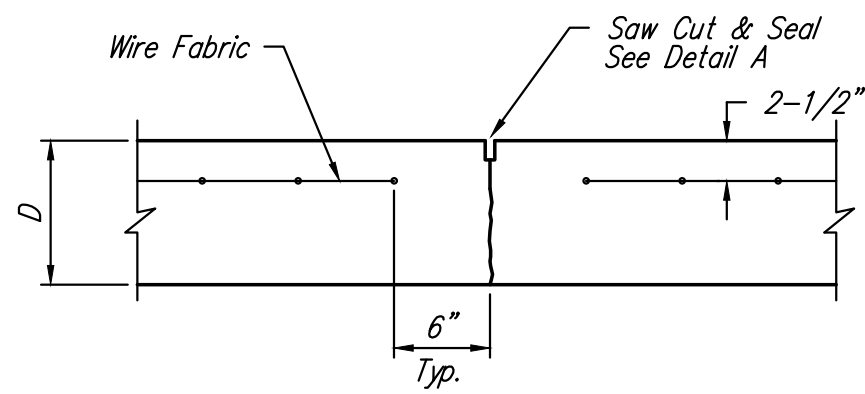


**EXPANSION JOINT**

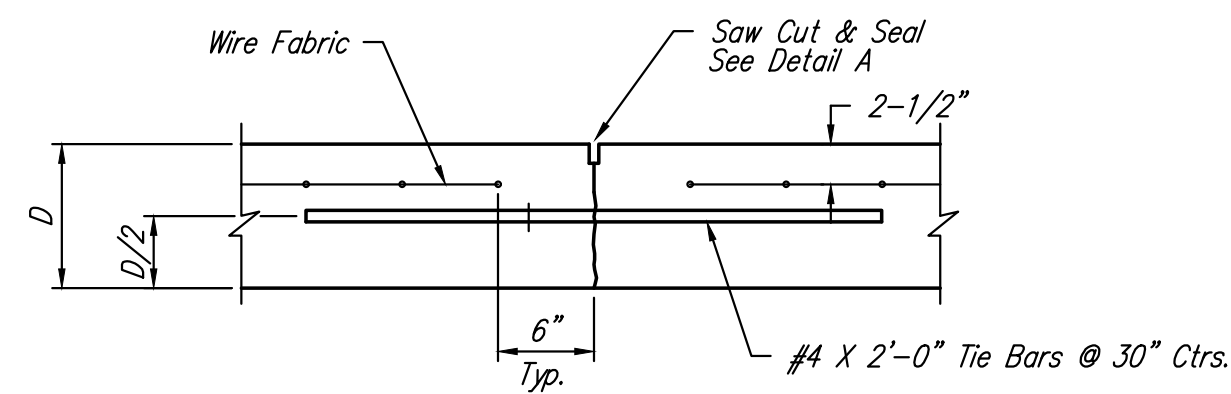
NOTE: Extra Thickness to be Subsidiary to Price of Square Yards Pavement



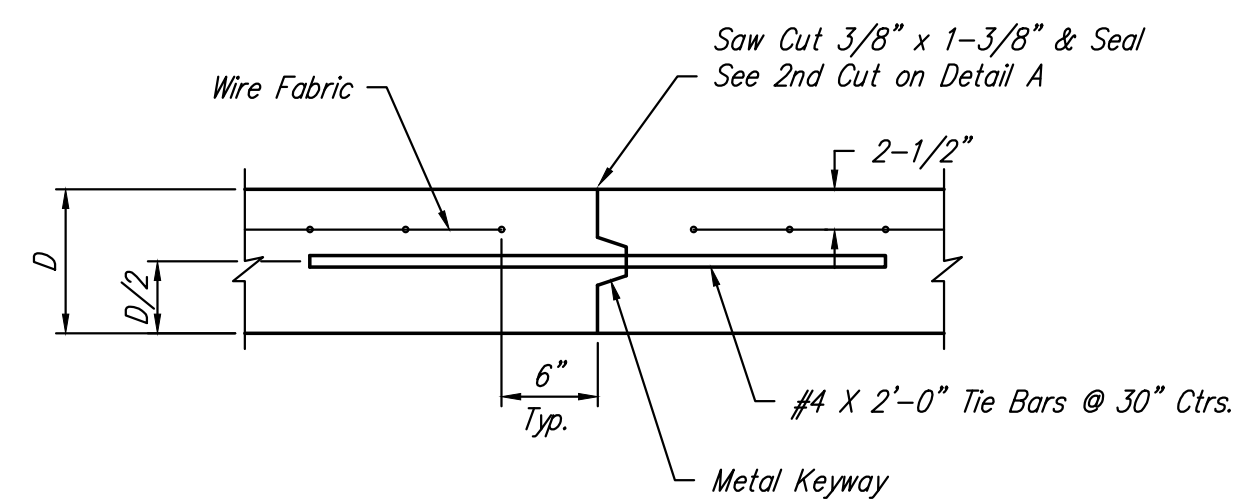
**KEYWAY DETAIL**



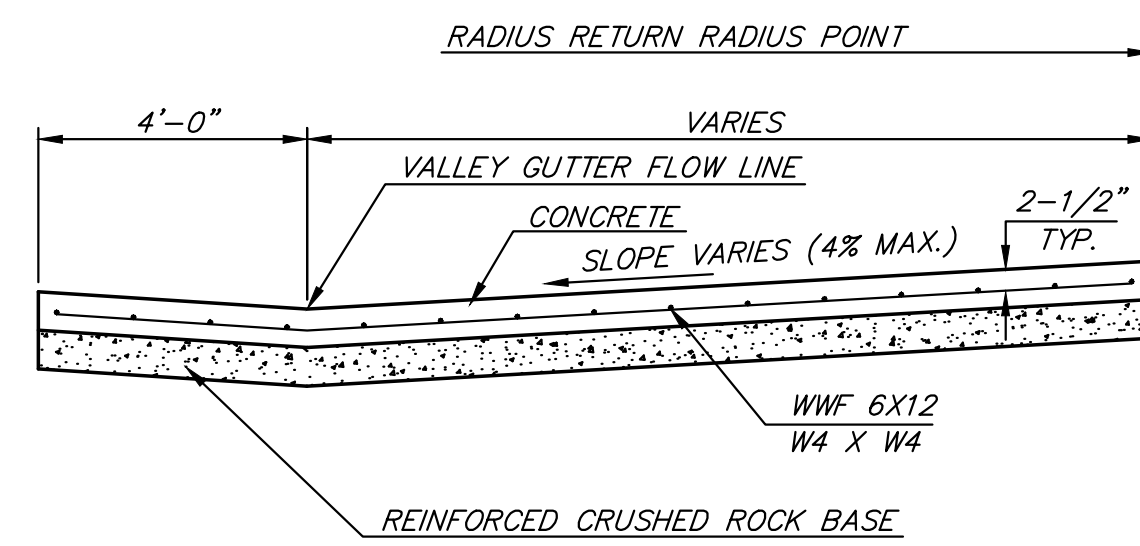
**CONTRACTION JOINT DETAIL (C.J.)**



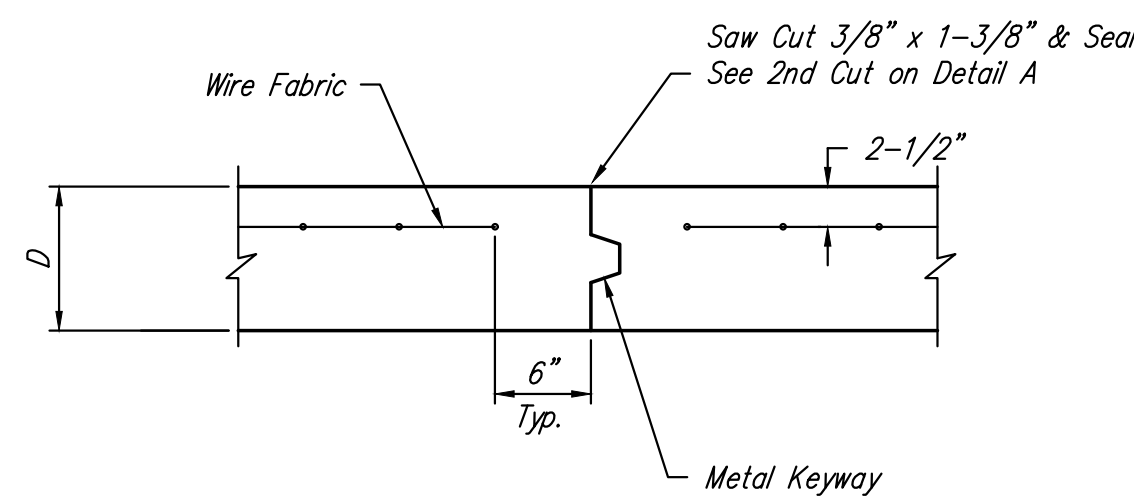
**LONGITUDINAL JOINT DETAIL (L.J.)**



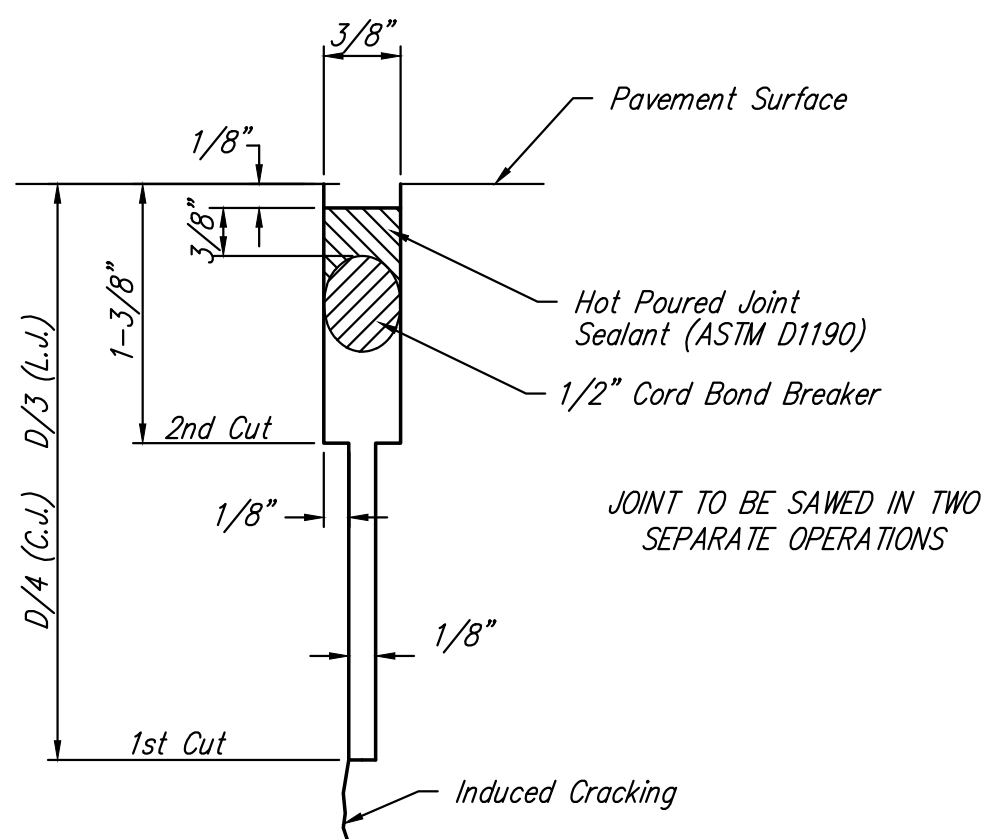
**OPTIONAL LONGITUDINAL JOINT DETAIL (L.J.)**



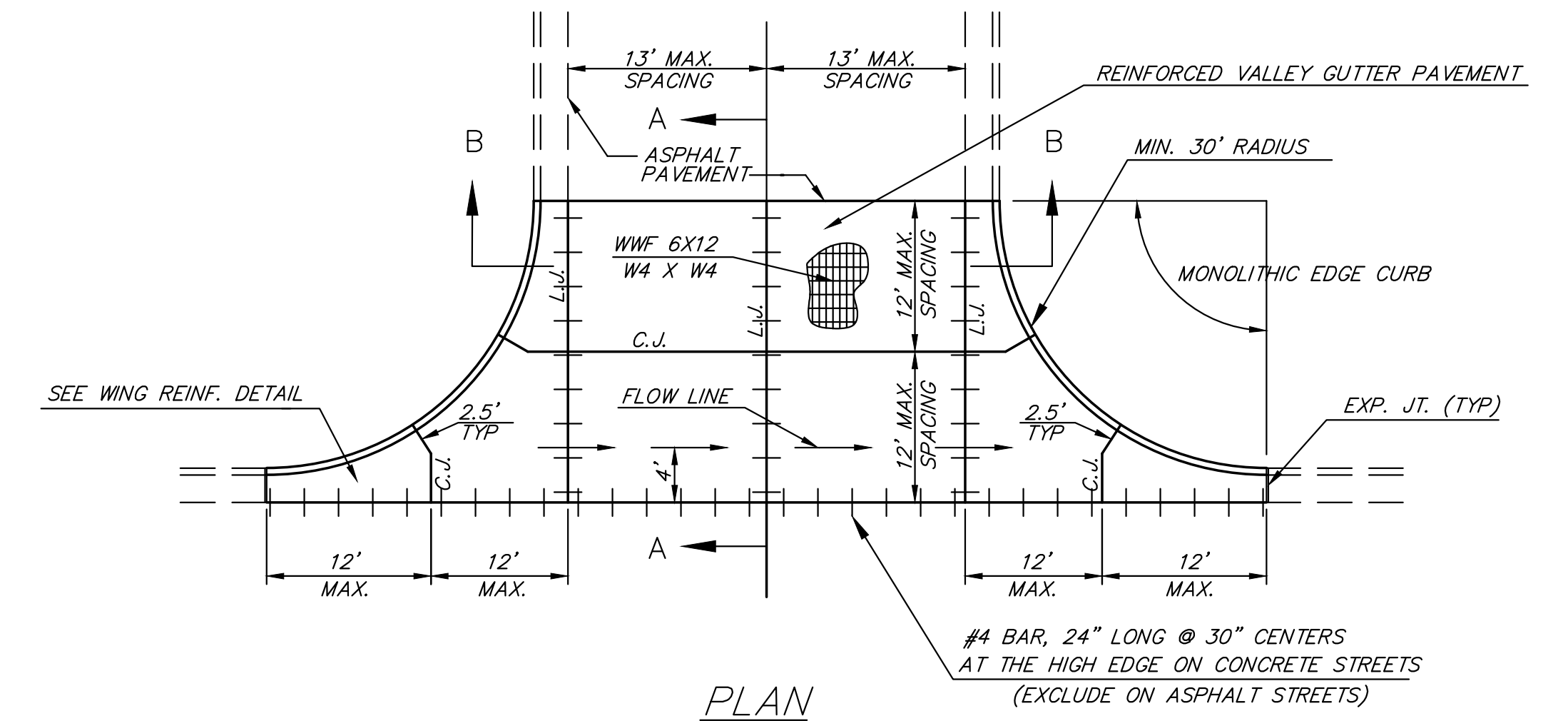
**SECTION A-A**



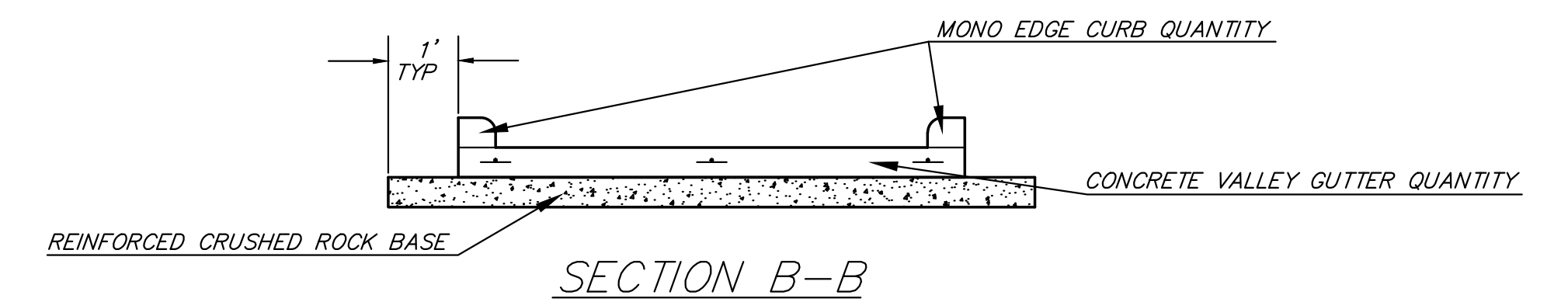
**OPTIONAL CONTRACTION JOINT**



**SAW JOINT DETAIL (DETAIL A)**

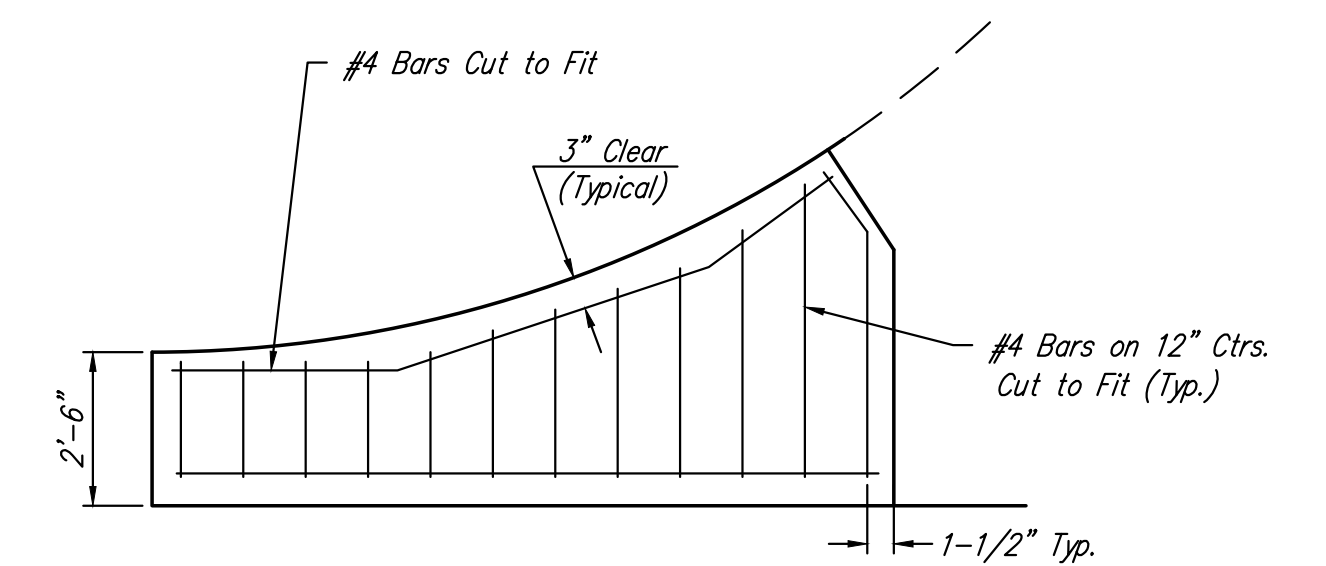


**PLAN**



**SECTION B-B**

**REINFORCED VALLEY GUTTER DETAIL**



**WING REINFORCING DETAIL**

REVISION MAY 2017	SECTION B-B, ROCK EXTENDED ONE FOOT BEYOND PAVEMENT		
<b>VALLEY GUTTER DETAILS</b>			
CITY ENGINEER <b>GARY JANZEN, P.E.</b>			
PROJECT NUMBER 472-85506	OCA NUMBER 766451	DATE FEB. 2019	
CITY ENGINEER'S OFFICE CITY HALL - SEVENTH FLOOR 455 NORTH MAIN STREET WICHITA, KANSAS 67202-1620 (316) 268-4501			SHEET <b>5 OF 32</b>