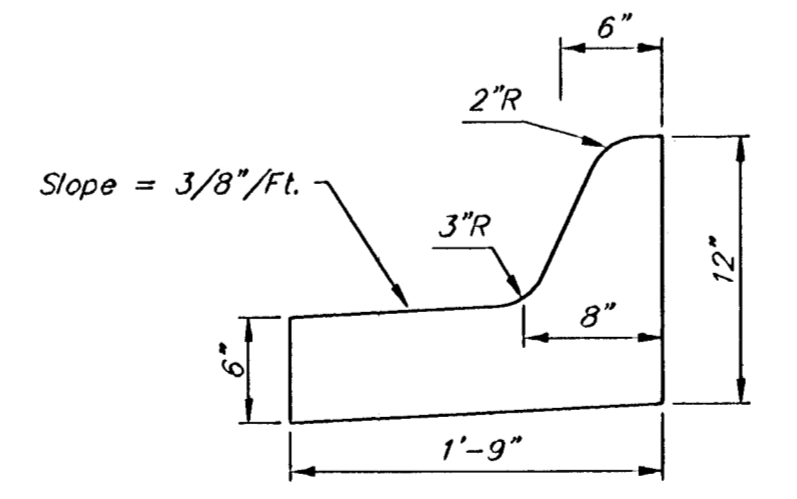


BROOKVIEW



Medial Curb Detail
(Low Edge)
Not to Scale

Note: To be paid as Median Comb C & G (6 5/8")

TYLER'S LANDING ADDITION ENTRANCE DETAILS				
BAUGHMAN COMPANY P.A. ENGINEERING, SURVEYING, & PLANNING 318-282-7271 • 315 ELLIS • WICHITA, KANSAS 67211				
PROJECT NUMBER 472-83692				SHEET 4
DESIGN Staff	DRAWN Staff	APPROVED	DATE 6/4/03	SCALE NONE
				OF 24

Tyler's Landing Entrance