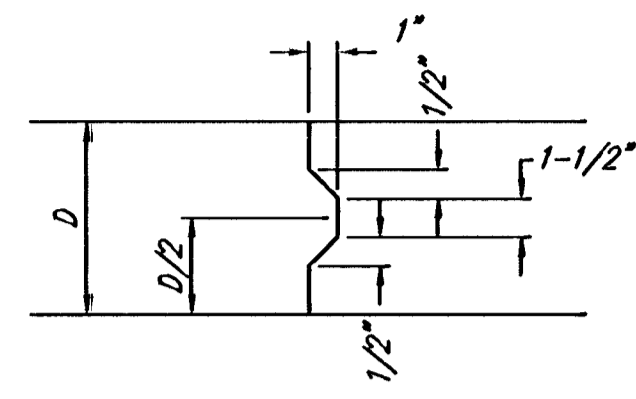
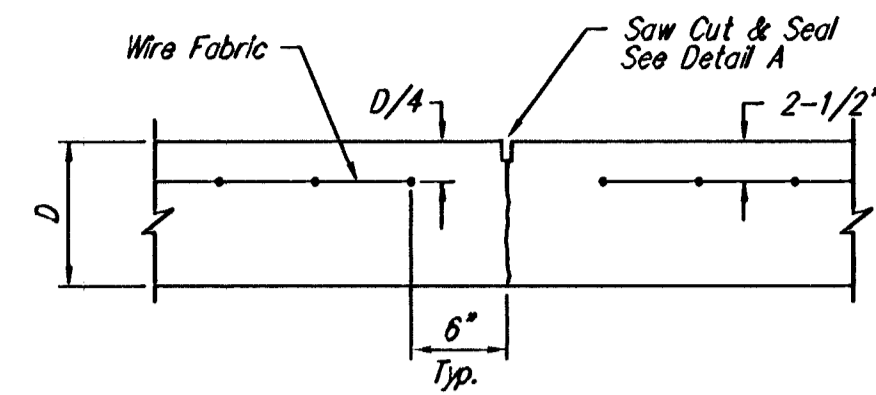


EXPANSION JOINT

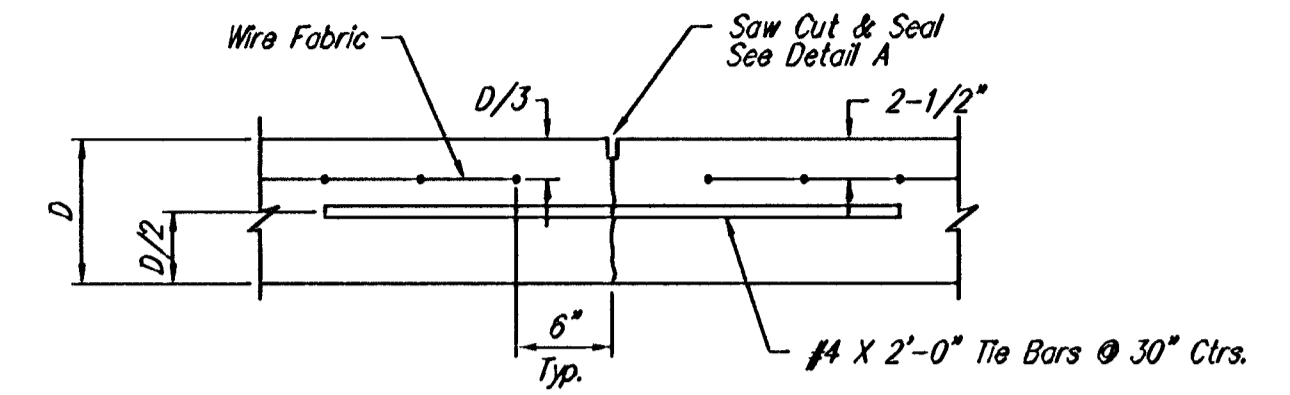
NOTE: Extra Thickness to be Subsidiary to Price of Square Yards Pavement



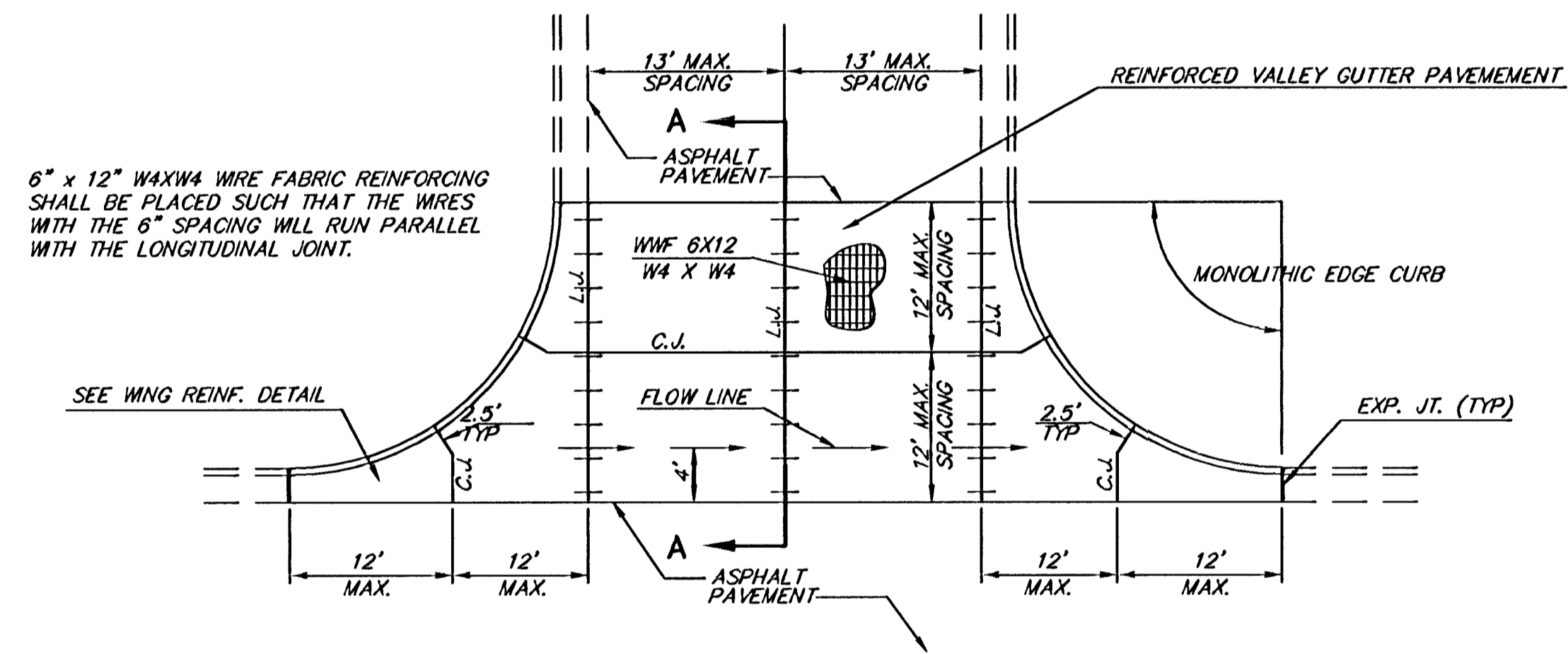
KEYWAY DETAIL



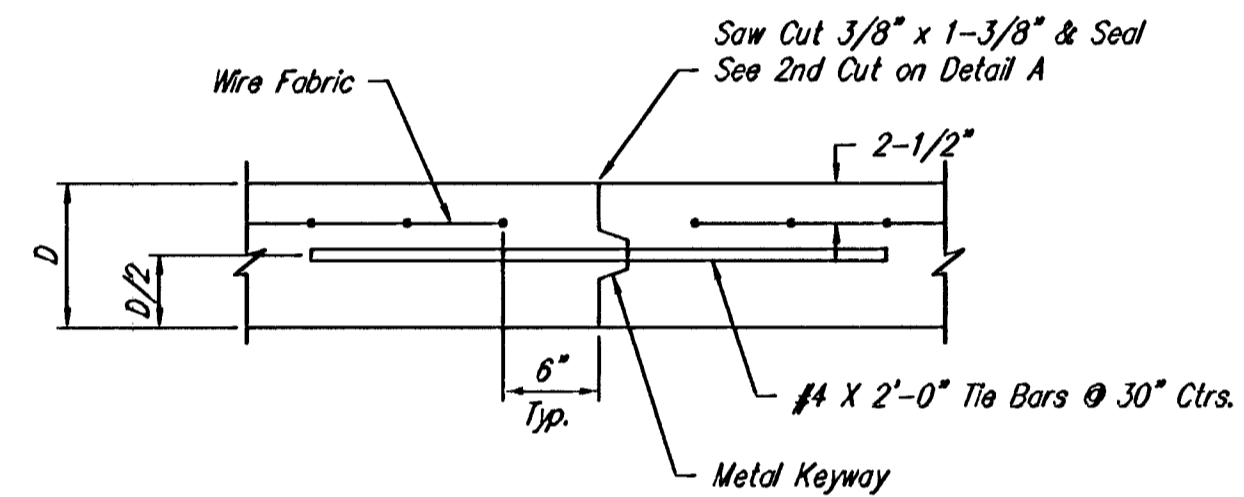
CONTRACTION JOINT DETAIL (C.J.)



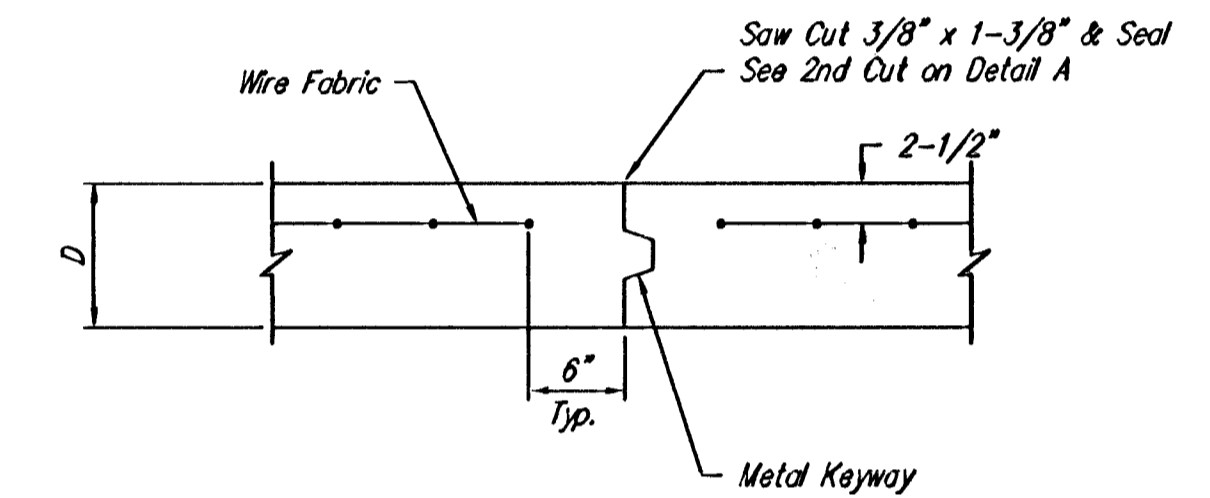
LONGITUDINAL JOINT DETAIL (L.J.)



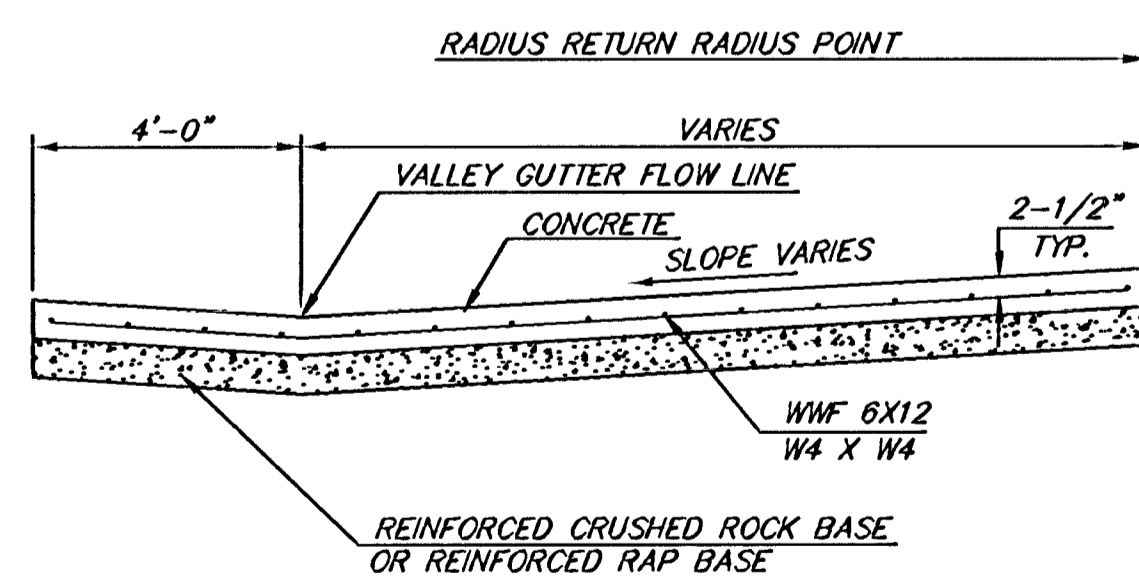
PLAN



OPTIONAL LONGITUDINAL JOINT DETAIL (L.J.)

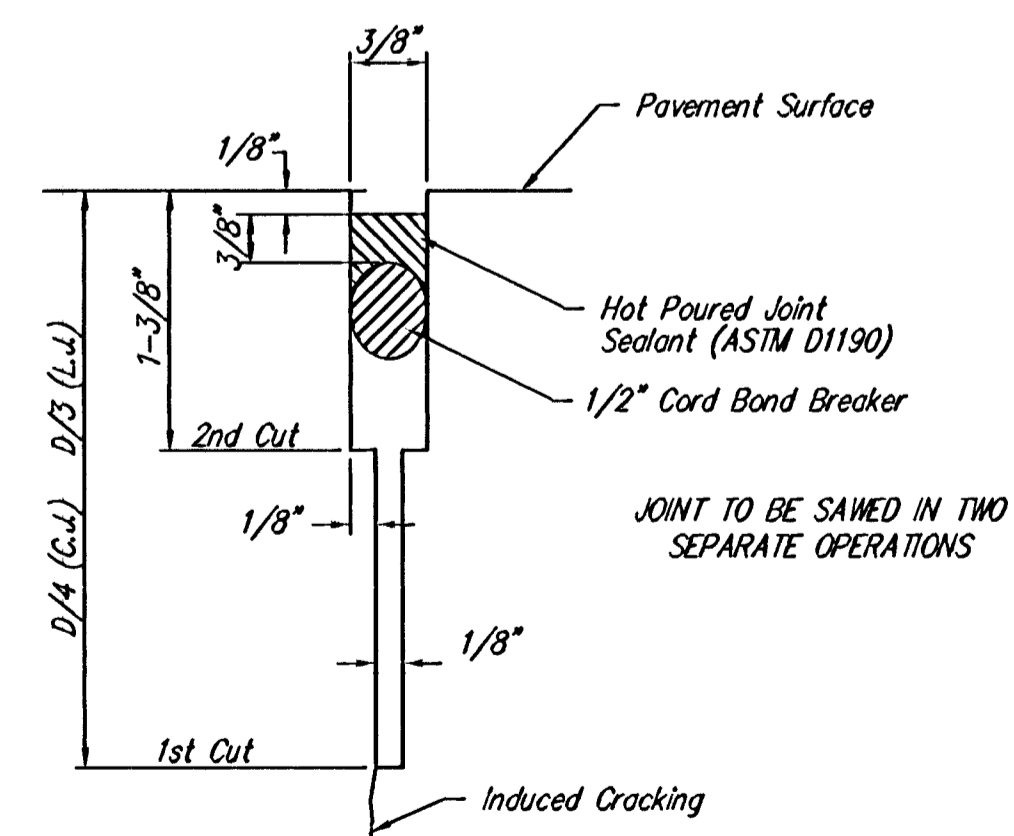


OPTIONAL CONTRACTION JOINT

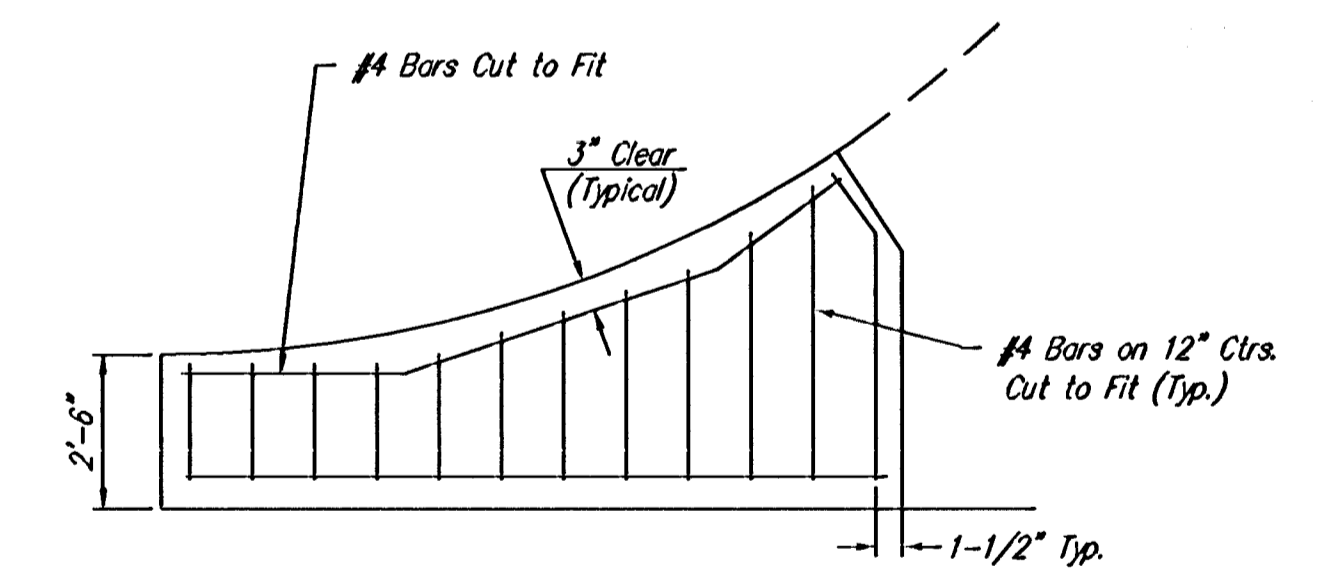


SECTION A-A

REINFORCED VALLEY GUTTER DETAIL



SAW JOINT DETAIL



WING REINFORCING DETAIL

THE CITY OF WICHITA CITY ENGINEER'S OFFICE 405 NORTH MAIN STREET WICHITA, KANSAS 67202 (316) 268-4112 FAX	VALLEY GUTTER DETAILS	
	NEIL D. CABLE, P.E. - CITY ENGINEER	
	PROJECT NUMBER 472-83786	OCA NUMBER 765814
	DATE JUL 03	SHEET 5 OF 24